

FIKE VIEW EXPLOSION PROTECTION VISUALIZATION SOFTWARE

Features

- Monitors the status of the Fike EPACO Explosion Suppression System.
- Provides clear indication of when the system is running properly or is safely disabled.
- Solves the problem of hearing a system alarm but not being able to pinpoint the location.
- Reduces down time from trouble annunciations and activations through early warning.
- Continuously records and archives relevant process data and events.
- Generates graphs and histograms to help analyze problems.
- Accommodates up to 16 Annunciator Modules (64 EPCs), with a total allowance of 32 screens.
- Requires minimal training and nominal implementation time.
- Comes with access to a brief video tutorial that can be reviewed as needed.
- Can be installed on any system with Windows XP through 10.

General

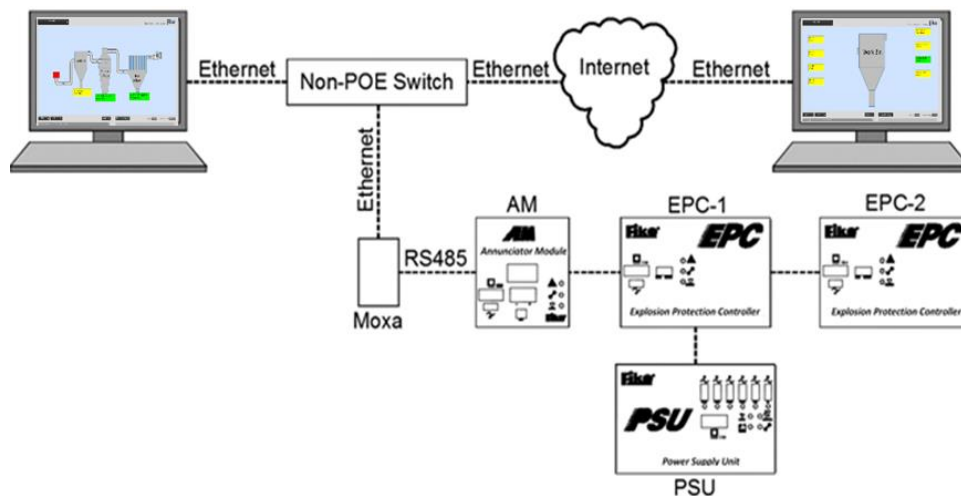
The Fike View visualization platform provides a valuable add-on to an existing EPACO system, gathering status information and displaying it on the operator PC in real time. The complete transparency delivered by the software helps improve operational reliability, increases employee safety, and eases workforce requirements for system monitoring.

The simple, but effective, visuals display green when the system is in normal mode and working properly; yellow when there is a fault/trouble event that needs attention; white when there is no communication between the EPACO system and the Fike View software; and red when an alarm is activated.

While the system does not alarm or flash to indicate an event, it does work in conjunction with a designated operator/ monitor to ensure a safe work environment and minimal work flow interruptions.

Ordering Information

Part No.	Description
29967700	License, Fike View Software (1 per PC)
29967800	Configuration Pack (1 per EPC)
92903000	MOXA NPort 5150A Serial Device Server and Annunciator Module (AM) communication cable.



This document is only intended to be a guideline and is not applicable to all situations. Information is subject to Fike's full disclaimer at <http://www.fike.com/disclaimer>.