



DESCRIPTION

The 10-2696-c deadfront kit provides a hinged interior panel that can be field installed onto the standard CyberCat enclosure (P/N 10-2527 or 10-2483). The deadfront is designed to isolate the operator from the internal electronics and wiring, yet allows access to system control buttons. It also provides three openings to facilitate the installation of system control and display modules. The deadfront is made of 18 gauge steel with a baked on enamel finish (Red or Black). The door and deadfront combined add 9.5 lbs. (4.3 kg) to the weight of the enclosure.

The deadfront kit includes the following items:

| | |
|-----------|---|
| 70-2097-x | 3 Module Exterior Door (x: R=Red, B=Black) |
| 70-2098-x | 3 Module Deadfront (x: R=Red, B=Black) |
| 02-12275 | Ground Wire Kit |
| 02-2196 | 6-32 screw (qty. 2) ext. door hinge |
| 4153-142 | Lock washer (qty. 2) |
| 02-1361 | 6-32 hex nut (qty. 2) |
| 02-4992 | Ground wire (qty. 1) |

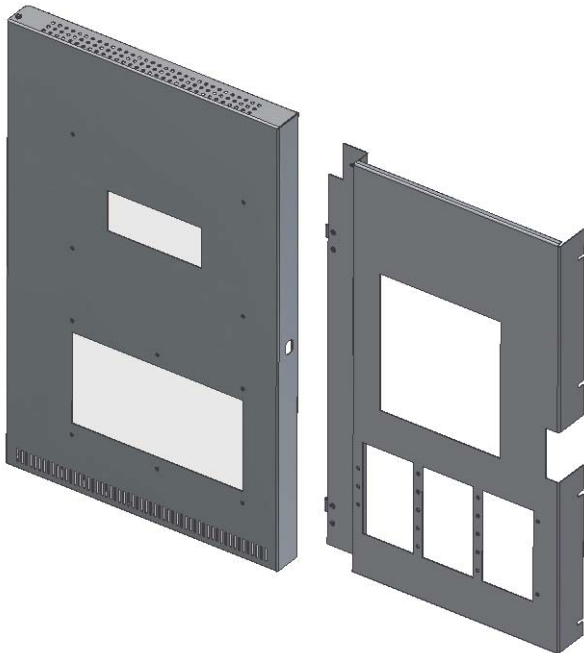


Exhibit 1: 3 Module Door and Deadfront

INSTALLATION

1. Disconnect the ground wire from the outer door. Other end of ground wire shall remain connected to the enclosure back box.
2. Remove the outer door from the enclosure by unscrewing the two hinge mounting screws located at the top and bottom of the enclosure. The door will not be reused and can be discarded.
3. Unpack the 3 module door and deadfront and check for shipping damage.
4. Install the 3 module door onto the enclosure using the two hinge mounting screws (P/N 02-2196) removed from Step 2.
5. Install the deadfront into the enclosure by aligning the deadfront hinges with the enclosure hinge pins and set in place as shown in Exhibit 2.
6. Attach the grounding wires (qty. 2) from the enclosure back box to the deadfront and from the deadfront to the outer door as shown in Exhibit 2.
7. Adjust routing of grounding wires if necessary to allow full movement of deadfront.
8. Verify proper alignment of deadfront display opening with system display.

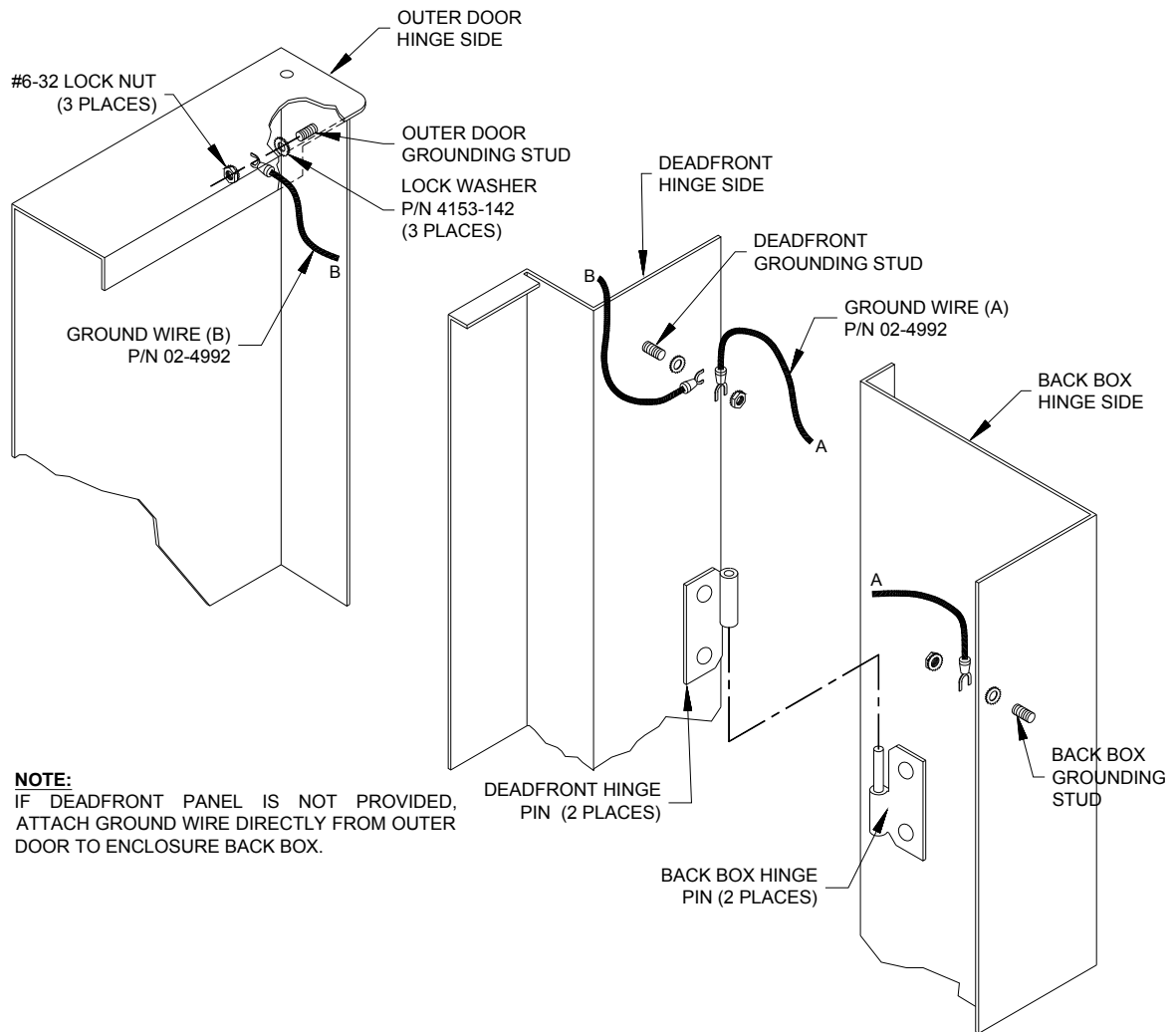


Exhibit 2: Deadfront and Ground Wire Installation