

## REMOTE ANNUNCIATOR

### DESCRIPTION

The Remote Annunciator, P/N 10-2802, is a compact, cost-effective, 80 character, backlit LCD remote annunciator designed for use with Fike's CyberCat® fire alarm control panels. The annunciator mimics the display of the CyberCat panel allowing system status information to be displayed at remote locations. The annunciator has system status LEDs for Power, Alarm, Trouble, Supervisory and Silenced. The annunciator has eight (8) programmable control switches that can be programmed to initiate any of the following system functions:

- Reset
- Silence
- Acknowledge
- Drill
- Process
- Walktest
- IR Tool
- Step Alarm
- Step Supervisory
- Step All
- Fan Restart
- Zone Disable

A key-switch prevents unauthorized operation of the control switches. The annunciator is housed in an 18 gauge steel enclosure with a baked on enamel finish (red) that can be surface or flush mounted. Numerous conduit knockouts are provided on all four sides of the enclosure to facilitate easy wiring access into the enclosure. The enclosure's exterior door is hinged on the left side and can be easily removed during installation. The door is equipped with a key-lock to prevent unauthorized access to system components. The enclosure is equipped with an internal dead-front door that is designed to isolate the operator from the internal electronics and wiring, yet allows access to the control switches. The dead-front door is hinged to allow access to the internal electronics and wiring for servicing purposes.

### FEATURES

- 80-character Liquid Crystal Display
- Mimics all display information from the host panel
- System status LEDs for Power, Alarm, Trouble, Supervisory, and Alarm Silenced to provide indication of system status
- Eight programmable switches for remote control of critical system functions
- User interface buttons for navigation through annunciator screen menus
- Supervised by host control panel
- Key switch enables/disables control switches
- Displays time and date during normal operation
- May be powered from the host panel or by battery backed, regulated, power-limited power supply listed for Fire Protective Signaling Use (requires 24 VDC)
- Local piezo sounder
- 800 event history buffer
- Can be located up to 4,000 feet (1,219 m) from host control panel
- Surface or semi-flush mountable
- Annunciator and host control panel must be programmed for proper communication and operation to occur
- Suppression releasing countdown display
- Can be configured to annunciate specific zone events only

### SPECIFICATIONS

Operating Voltage:	24 VDC regulated (15-30 VDC)
Standby Current:	36 mA
Active Current:	139 mA (backlight & Piezo on)
Operating Temp:	0 - 49° C (32 - 120°F)
Operating Humidity:	93% relative humidity
Terminal Blocks:	Accept 14 – 26 AWG
RS485 Peripheral Bus:	Maximum 31 devices on circuit Maximum 4,000 feet (1,219 m) Belden 9841 or equivalent 96 ohms maximum
Dimensions:	Door – 15.0" (38.1 cm) W x 16.7" (42.4 cm) H x 1.5" (3.8 cm) D Backbox – 14.09" (35.8 cm) W x 15.75" (40 cm) x 3.95" (10 cm) D
Compatible Firmware:	Version 3.0 or higher
All connections are power-limited and supervised	



### APPROVALS:

- UL - S3217



## OPTIONAL CARDS

The remote annunciator enclosure provides a mounting location for up to three of the switch cards listed below. These cards allow command and annunciation capabilities to be initiated and displayed from a remote location:

- Smoke Control Switch Card, P/N 10-2658
- Input/Output Switch Card, P/N 10-2659
- 20 Zone Annunciator, P/N 10-2660
- City-Tie Disconnect, P/N 10-2721

A blank plate (P/N 10-2697) can be ordered to cover any unused switch card openings.

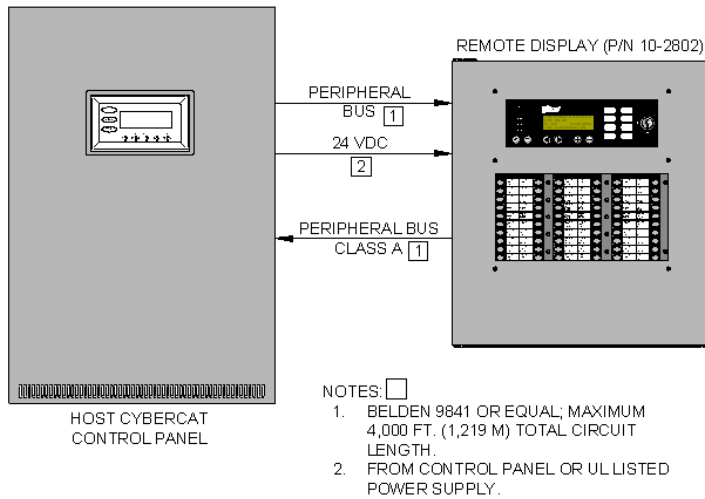
## OPERATION

The remote annunciator displays system events similar to that of the main control panel, with the exception it will only display CURRENT system events. The display will latch on the first Alarm, Trouble, or Supervisory event received, with the exception that Alarm events take precedence over Trouble and Supervisory events and will always be displayed over them.

Additional events received are stored in the annunciator's 800 event history buffer on a first in – first out basis, unless an Alarm event is received. If an Alarm event is received, the annunciator will stop discarding messages and will retain the 50 messages received before the receipt of the Alarm event. The annunciator will retain its history until the host control panel is reset. Events prior to a system reset must be obtained at the main panel.

All events stored in the annunciator's history buffer can be displayed by pressing the "+" or "-" interface buttons on the unit to increment or decrement through the history events.

## WIRING DIAGRAM



## ORDERING INFORMATION

Fike P/N	Description
10-2802-1-0-01-0-1-01	3-Slot with RDU Enclosure Kit
<b>RDU Enclosure Kit Includes :</b>	
	Enclosure
	14 Button RDU
	Hardware Kit
<b>Compatible Modules (sold separately)</b>	
10-2658	6 Zone Manual Override Module
10-2659	20 Zone user I/O Module
102660	20 Zone Annunciator Module
10-2721	City Tie Disconnect
<b>Spare Parts (sold separately)</b>	
10-2697-R	Red 1 Card Cover Plate
10-2774-R	Red 2 Card Cover Plate
10-2775-R	Red 3 Card Cover Plate
02-12258	6" Cable Assembly for Interface Modules
02-12259	12" Cable Assembly for Interface Modules