



DESCRIPTION

The LOC microphone housing (P/N 10-2813) consists of an 18 gauge steel enclosure with a baked on enamel finish (red or black), paging microphone and interconnection cable. The housing is provided as part of the LOC remote paging assembly (P/N 10-2814). The microphone connects to the LOC remote paging card (P/N 10-2816) to facilitate initiation of live pages throughout the facility.

The microphone housing can be installed in any of the following enclosures:

1. Local Operating Console, (P/N 10-2793)
2. Local Operating Console with RDU, (P/N 10-2796)

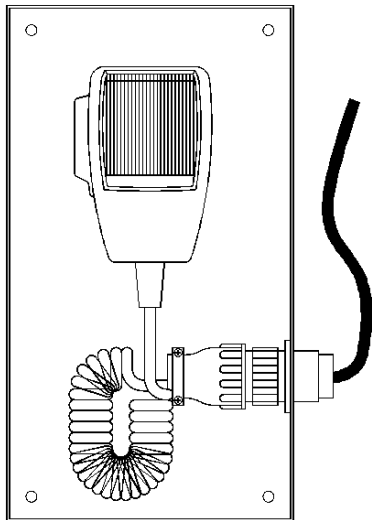


Exhibit 1: LOC Microphone Housing

INSTALLATION

1. If the system is already powered, disable critical functions; then power down system.
2. Unpack the housing and check for shipping damage prior to installation.
3. Locate the threaded press studs in the enclosure back-box for mounting the housing and install the four M/F standoffs provided (See Exhibit 2). *Refer to specific enclosure installation instructions for housing mounting location.*
4. Position the microphone housing onto the standoffs and secure in place using the four washers and hex-nuts provided (See Exhibit 2).
5. Connect the microphone cable to the remote paging card (See Exhibit 3).

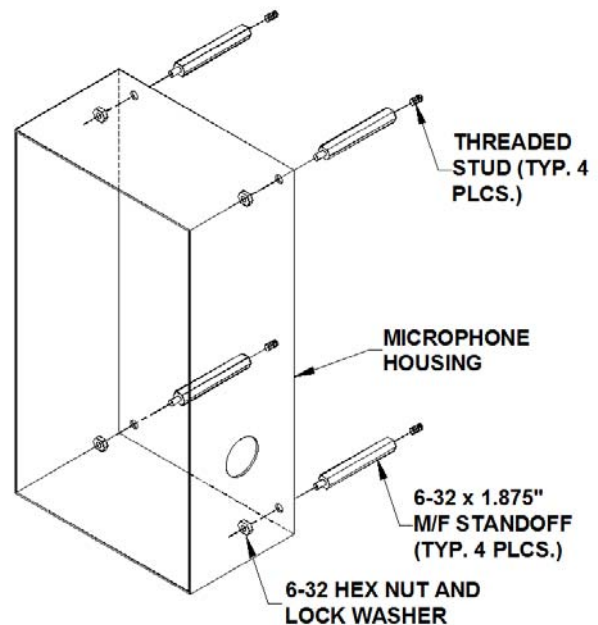


Exhibit 2: Microphone Housing Installation
(microphone & cable not shown)

MOUNTING HARDWARE

02-12798	Standoff Kit
02-10347	#6-32 hex standoff, 1.185" M/F (qty. 4)
02-1879	#6-32 hex nut (qty. 4)
4153-142	#6 lock washer (qty. 4)

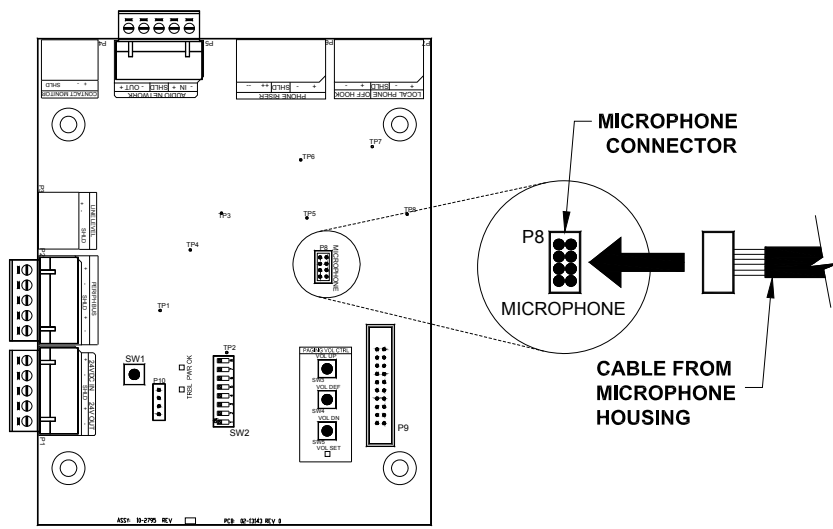


Exhibit 3: Microphone Connection to LOC Digital Paging Card