



## DESCRIPTION

The Trouble Bell Station is equipped with a toggle switch that enables the operator to silence the alarm bell that the switch is connected to. A Red bell silenced LED is provided to give positive indication of switch activation. A momentary bell test switch is provided to allow frequent testing of bell operation. The station requires 24 VDC power from the associated control panel for operation of the bell and switch LEDs.

## ORDERING INFORMATION

The Trouble Bell Station can be ordered with the following text to suit your specific application:

10-2734	Fire Alarm Trouble
10-2735	City Tie Trouble
10-2736	Duct Detector Panel Trouble
10-2737	System Trouble
10-2738	Central Station Trouble
10-2739	Supervisory Panel Trouble
10-2740	Tamper Switch Trouble

## COMPATIBILITY

The Trouble Bell Station must be used in conjunction with Fike's Addressable Relay Module (P/N 55-043 or 55-048), which is compatible with Fike's CyberCat and Cheetah Xi intelligent control panels.

## SPECIFICATIONS

Input Voltage:	15 – 30 VDC
Current Consumption:	2 mA (LED active) <sup>1</sup>
Dimensions (LxWxD):	4.5 in. x 4.5 in. x 2.125 in. (11.5cm x 11.5cm x 5.4cm)
Operating Temp:	0° to 49° C (32° to 120° F)
Operating Humidity:	93% RH

## LISTINGS AND APPROVALS

City of Chicago (Class I and II)

<sup>1</sup>Current consumption of connected bell must also be included in system power calculations.

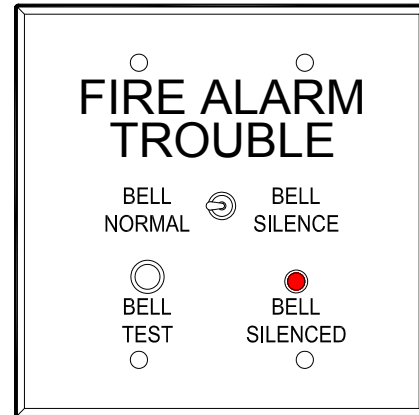


Exhibit 1: Trouble Bell Station

## MOUNTING

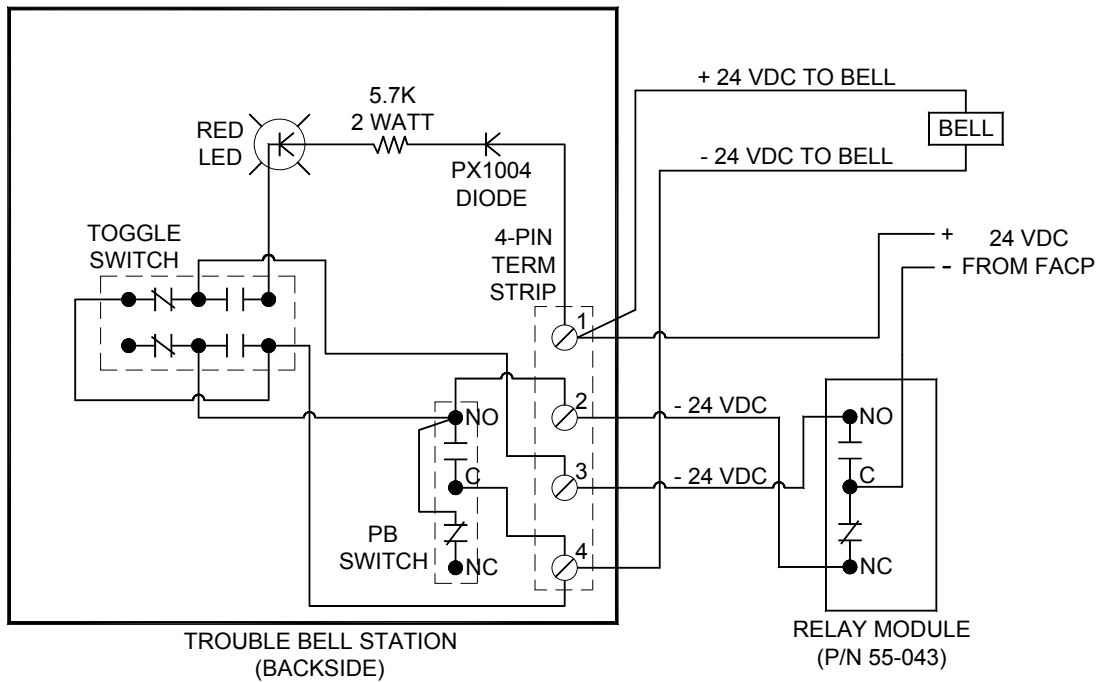
The station can be surface mounted to a two-gang deep bell box or a two-gang deep wiremold box. For flush mounting, use a two-gang plaster ring on a deep 4 inch square 1900 box.

## OPERATION

With the toggle switch in the “Bell Normal” position, pressing the “Bell Test” switch will sound the bell until the switch is released. When there is a trouble, the bell will sound. Activation of the “Bell Silence” switch will silence the bell and light the bell silenced LED. When the trouble clears, the LED will turn off and a ring back will sound until the “Bell Silence” switch is returned to the “Bell Normal” position.

## PROGRAMMING

- If using the Trouble Bell Station for Fire Alarm, Duct Detector, System, Supervisory or Tamper Trouble, the relay module connected to the station should be configured to activate on Trouble for ANY ZONE (Zone 255).
- If using the Trouble Bell Station for City Tie Trouble, the relay module connected to the station should be configured to activate on Trouble for the device address of the control module connected to the City Tie Module.
- If using the Trouble Bell Station for Central Station Trouble, you will need to install a monitor module to monitor the trouble relay provided on the system DACT. The relay module connected to the station should be configured to activate upon activation of the monitor module.



**Exhibit 2: Bell Station Wiring Diagram**