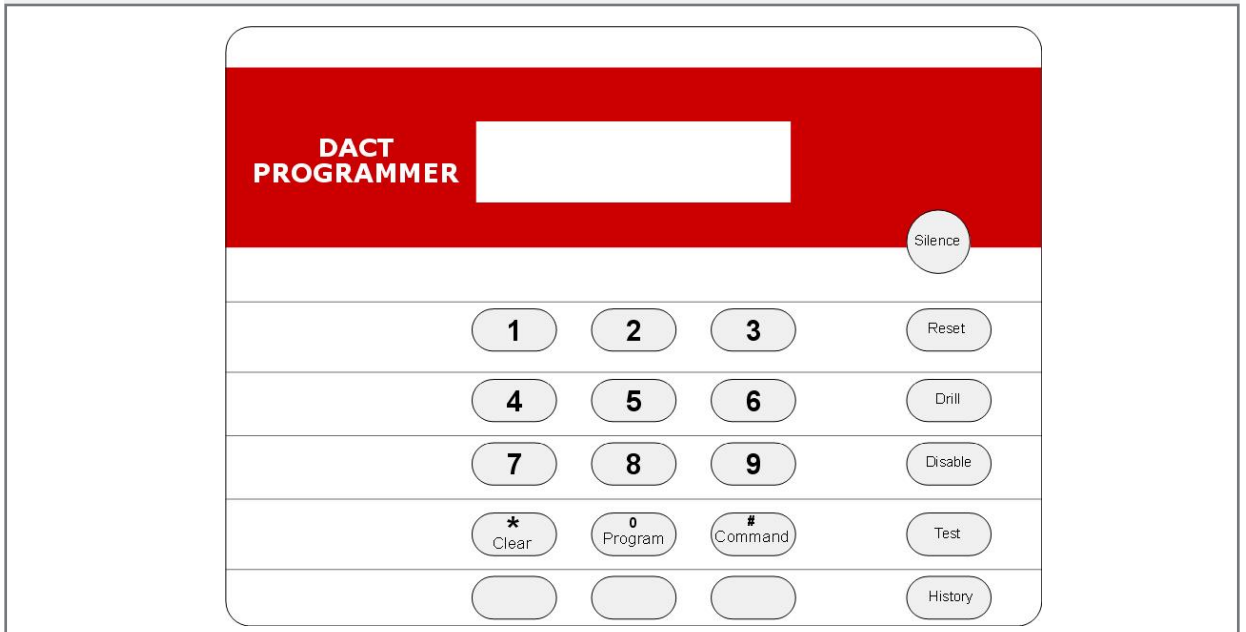


FMR-DACT-KEYPAD



Fire Systems

EN | Operation Instructions
DACT Keypad
Programmer

BOSCH

Notices



Follow these instructions to avoid personal injury and damage to the equipment.

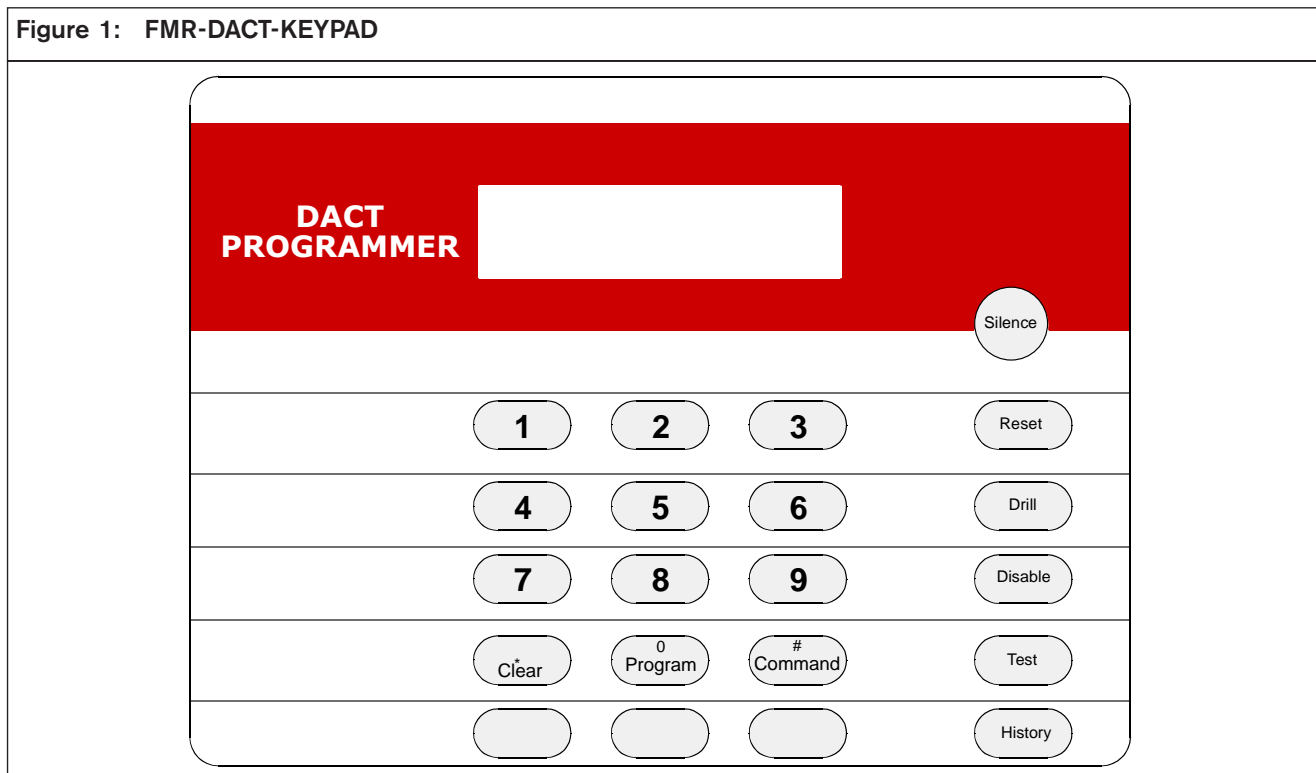


Install, test, and maintain the FMR-DACT-KEYPAD according to these instructions, NFPA 72, local codes, and the Authority Having Jurisdiction (AHJ). Bosch is not responsible for improperly installed, tested, or maintained devices.

1.0 Description

The FMR-DACT-KEYPAD (*Figure 1*) is a four-wire alphanumeric liquid crystal display (LCD) keypad used as a programming device for the FPT-DACT Fire Communicator.

Figure 1: FMR-DACT-KEYPAD



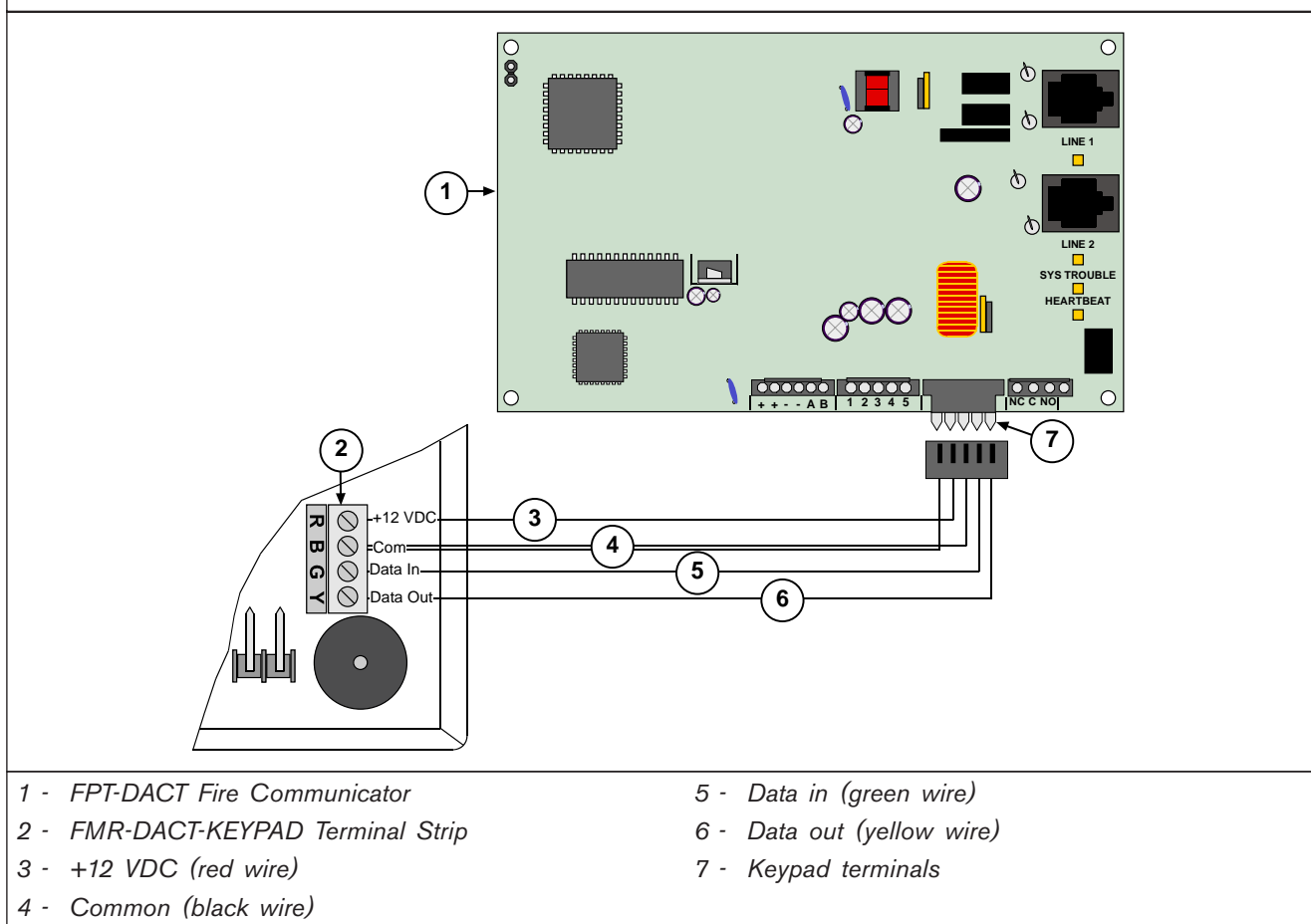
2.0 Wiring



Ensure all wiring is de-energized before routing.

1. Route the wiring from the FPT-DACT to the FMR-DACT-KEYPAD.
2. Pull the base wiring through the wire entrance in the FMR-DACT-KEYPAD base.
3. Connect the wiring to the FMR-DACT-KEYPAD terminal strip as shown in *Figure 2*.
4. Place the FMR-DACT-KEYPAD on its base.
5. While feeding the excess wiring out of the back of the base, press straight down on the cover until it latches on.

Figure 2: Wiring the FMR-DACT-KEYPAD Terminal Strip

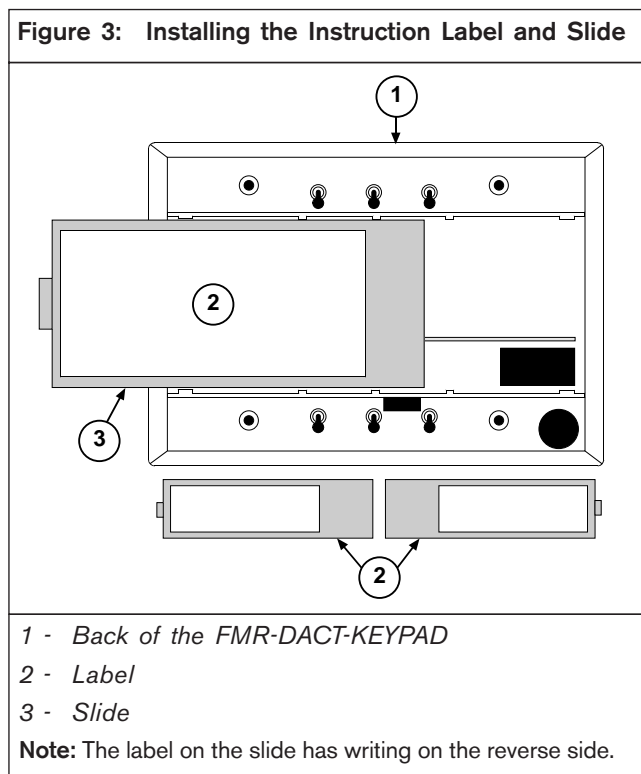


3.0 Power Up

The power supplied to the FMR-DACT-KEYPAD from the FPT-DACT is 12 VDC with a maximum draw of 100 mA.

4.0 Installing the Instruction Label and Slide

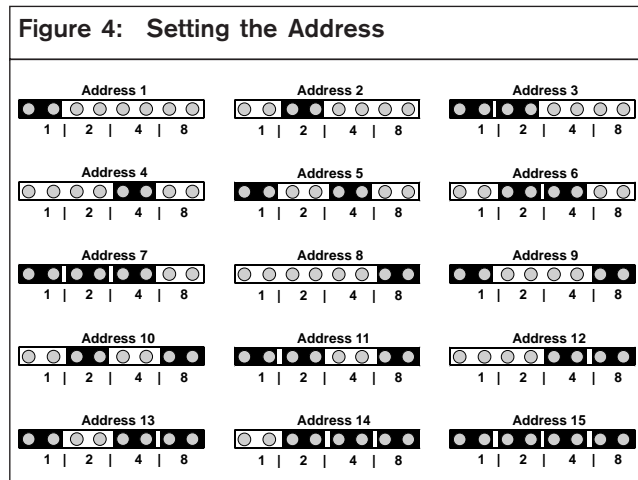
1. Place the instruction label (*Item 2 in Figure 3*) on the pullout slide (*Item 3 in Figure 3*), positioning it as close to the pull tab as possible.
2. Install the slide so you can pull from the left or right from the back of the base.



5.0 Setting the Address

The FMR-DACT-KEYPAD must have an address set within its address pins.

Select the address, 1 to 15, by placing the shorting jumpers over the address pins as shown in *Figure 4*.



6.0 Operating the Keypad



While installing the FMR-DACT-KEYPAD, the system does not monitor the input points.

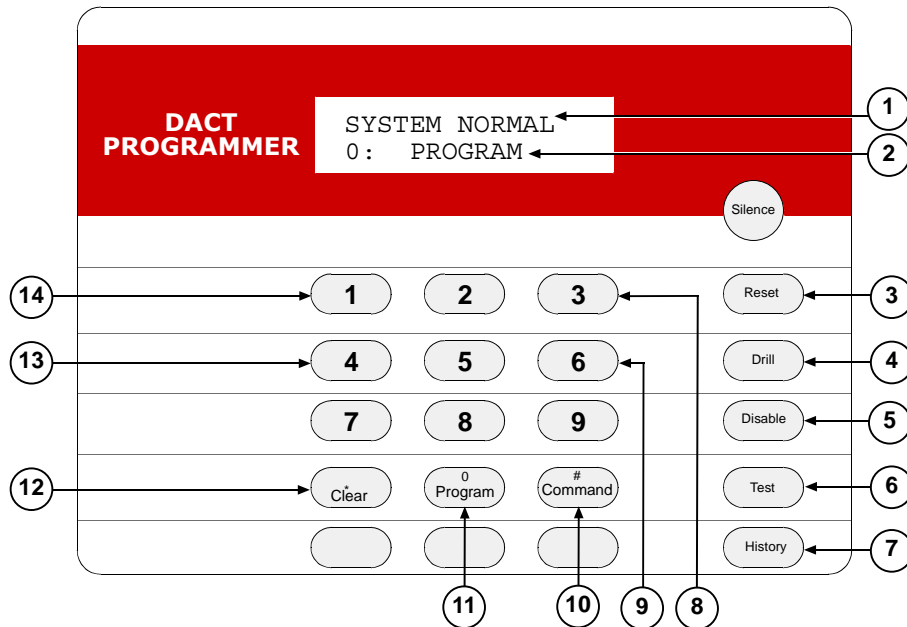
6.1 FMR-DACT-KEYPAD

The FMR-DACT-KEYPAD (Figure 5) is an alphanumeric LCD keypad used for programming and

debugging only while it is connected to the FPT-DACT. This keypad has a two-line, 16-character display showing information on various FPT-DACT programming functions. In most cases, the first line contains general system status information; the second line describes the specific programming menus and prompts.

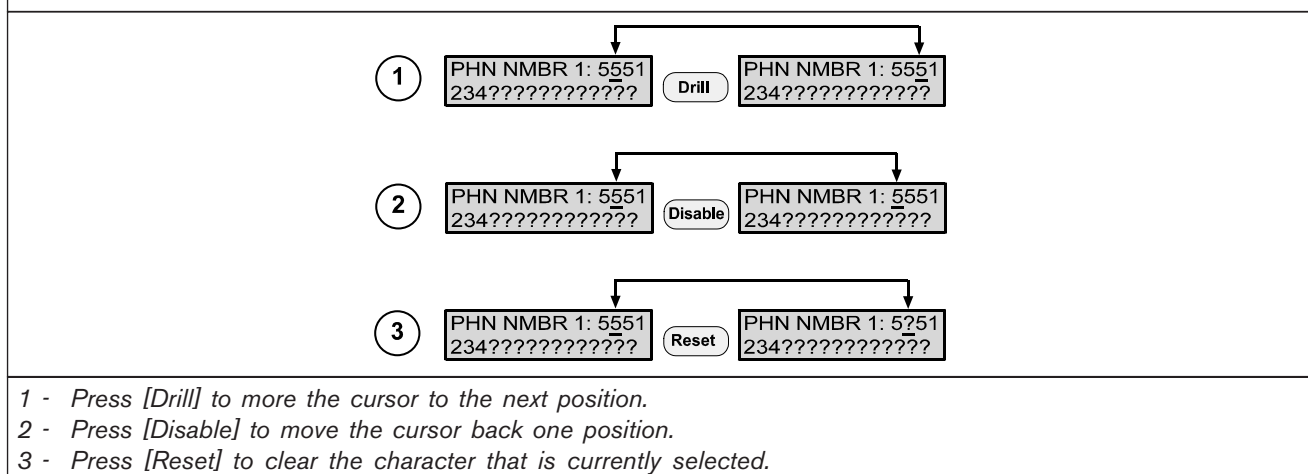
Figure 6 on page 6 identifies and describes the FMR-DACT-KEYPAD keys.

Figure 5: FMR-DACT-KEYPAD



- 1 - First line of display.
- 2 - Second line of display.
- 3 - [Reset] key: Initiates a manual reset of the FPT-DACT. Clears the character selected by the cursor. Refer to Figure 6 on page 6. For more information, refer to the FPT-DACT Operation & Installation Guide (P/N: F01U002505).
- 4 - [Drill] key: Advances to the next programmable feature or character position (Figure 6).
- 5 - [Disable] key: Returns to the previous programmable feature or character position (Figure 6).
- 6 - [Test] key: Enters Test Mode. Pressing [Test] when entering a telephone number accesses three telephone control code options. Refer to the FPT-DACT Operation & Installation Guide (P/N: F01U002505)
- 7 - [History] key: Enters History Mode. Refer to the FPT-DACT Operation & Installation Guide (P/N: F01U002505).
- 8 - [3] key: Increases the FMR-DACT-KEYPAD backlight intensity. Press and hold [* Clear] first. Then press [3] to adjust the intensity.
- 9 - [6] key: Decreases the FMR-DACT-KEYPAD backlight intensity. Press and hold [* Clear] first, then press [6] to adjust the intensity.
- 10 - [# Command] key: Accepts programming entries into FPT-DACT. Press this key after every programming entry.
- 11 - [0 Program] key: Enters the Programming Mode menu. Refer to the FPT-DACT Operation & Installation Guide (P/N: F01U002505) for programming instructions.
- 12 - [* Clear] key: Cancels any programming menu without making changes. Return to the message SYSTEM NORMAL by pressing [* Clear] until SYSTEM NORMAL appears across the first line.
- 13 - [4] key: Decreases FMR-DACT-KEYPAD sounder volume. Press and hold [* Clear] first, then press [4] to adjust the volume.
- 14 - [1] key: Increases FMR-DACT-KEYPAD sounder volume. Press and hold [* Clear] first, then press [1] to adjust the volume.

Figure 6: Additional Functions of the [Drill], [Disable], and [Reset] Keys



7.0 Programming the FPT-DACT with the FMR-DACT-KEYPAD



Only use the FMR-DACT-KEYPAD to program and debug.

1. Program the FPT-DACT according to the *FPT-DACT Operation and Installation Guide* (P/N: F01U002505).
If there is no FMR-DACT-KEYPAD activity for 3 min, it disables. The FMR-DACT-KEYPAD buzzer sounds and a System Fault message appears.
2. Disconnect the FMR-DACT-KEYPAD from the FPT DACT as described in the *FPT-DACT Operation and Installation Guide* (P/N: F01U002505).

8.0 Troubleshooting

FMR-DACT-KEYPAD Status	Cause	Corrective Action
The sounder is heard continuously and a System Fault message appears.	<ul style="list-style-type: none"> • The yellow and green ground wires are disconnected. • The FMR-DACT-KEYPAD was not correctly programmed at the FPT-DACT. • The FPT-DACT malfunctioned. 	Replace the FPT-DACT.
The FMR-DACT-KEYPAD does not respond to input.	The address is not set.	Set the address.
Three-beep error tone sounds at all FMR-DACT-KEYPADs.	An incorrect key was pressed.	Press the correct key.

9.0 Specifications

Table 3: Specifications	
Nominal Supply Voltage	12 VDC
Standby Current	100 mA; 75 mA for battery calculation
Alarm Current	100 mA; 75 mA for battery calculation
Operating Temperature	+32°F to +120°F (0°C to +49°C)
Relative Humidity	5% to 85%, non-condensing (+86°F, +30°C)
Dimensions (H x W x D)	5 in. x 6 in x 1 in. (12 cm x 16 cm x 3 cm)
Listings and Approvals	UL864, California State Fire Marshall (CFSM)

Bosch
130 Perinton Parkway
Fairport, NY 14450-9199 USA
Customer Service: (800) 289-0096
Technical Support: (888) 886-6189

© 2004 Bosch
F01U002307B



Recyclable

BOSCH