

Fike Video Analytics IP Camera Lenses

Description

The lenses used with the Fike Video Analytics IP cameras are fixed field of view, fixed iris lenses that perform the following functions.

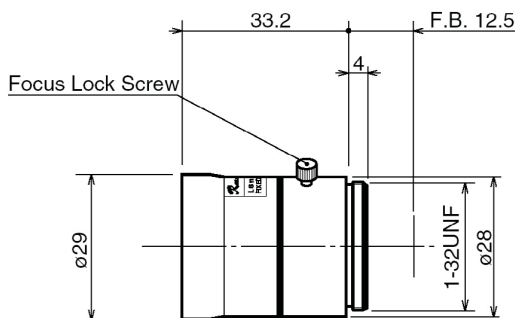
- 1) Defines the Field Of View (FOV), how much of a scene and level of detail is captured by the camera.
- 2) Defines the amount of light passing through to the camera's image sensor so that an image is properly exposed.
- 3) Focuses the image by adjusting the elements within the lens assembly or the distance between the lens and the image sensor.

The design of the Fike Video Analytics IP cameras allow easy removal and replacement of the lens. Replacement lenses must match the current lenses to ensure proper operation of the Fike Video Analytics system. Refer to system design documents for selecting the proper lens.

Ordering Information

Fike P/N	Description
28-006	Lens-2.8mm, 82 Degree Total Field of View
28-007	Lens 8mm, 34 Degree Total Field of View

Lens Dimensions



Camera Lens

Specifications

2.8 mm, 82 Degree Field of View Lens	
Focal Length	2.8mm
Max Relative Aperture	1:1.3
Iris	Without Iris
Focus	Manual
Mount	CS Mount
Angular Field of View	82° x 61.5°
Min Object Distance	0.1m (from Front Vertex)
Optical Back Focal Distance	8.5mm (in Air)
Operating Temperature	-10 to 50 °C (14 to 122 °F)
Size	29mm (D) x 33.2mm (L) (1.2 in x 1.3 in)
Weight	35 g (1.2 oz)

8.0 mm, 34 Degree Field of View Lens	
Focal Length	8.0mm
Max Relative Aperture	1:1.2
Iris	Without Iris
Focus	Manual
Mount	CS Mount
Angular Field of View	34° x 25°
Min Object Distance	0.1m (from Front Vertex)
Optical Back Focal Distance	10.7mm (in Air)
Operating Temperature	-10 to 50 °C (14 to 122 °F)
Size	29mm (D) x 33.2mm (L) (1.2 in x 1.3 in)
Weight	35 g (1.2 oz)

This document is only intended to be a guideline and is not applicable to all situations. Information is subject to Fike's full disclaimer at <http://www.fike.com/disclaimer>.