

## 8-Channel Power Relay Output PoE Module

### Description

The WISE (Web Inside, Smart Engine) relay module provides 8-channel power relay outputs (Form A) that when connected to the same network as the Fike Video Analytics Network Video Server can be used to provide remote logic control and monitoring of the Fike Video Analytics system in various applications, including building automation, machine automation, remote monitoring, etc.

Operation of relays 1-7 can be individually configured using the Fike Video Analytics Video Management Software (VMS) to trigger upon occurrence of any of the following system events:

- Fire
- Smoke
- Offsite
- Motion
- User
- Fault
- Offline
- Camera OFF
- Camera ON

By default, relay “0” is hardcoded in the VMS to provide relay module power status indication.

The relay module follows IEEE 802.3af-compliant (classification, Class 1) Power over Ethernet (PoE) specification. It allows receiving power from PoE enabled network by Ethernet pairs (Category 5 Ethernet cable). This feature reduces cabling and eliminates the requirement for dedicated electrical outlets. In a non-PoE environment, the module can still receive power from auxiliary power sources like AC adapters, batteries, etc.

### Ordering Information

Fike P/N	Description
28-064	8-Channel Power Relay Output (PoE) Module



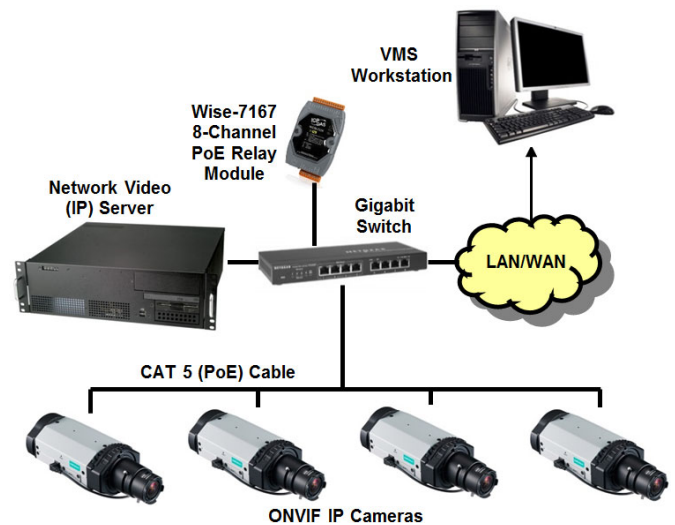
**8-Channel PoE Relay Module**



### Features

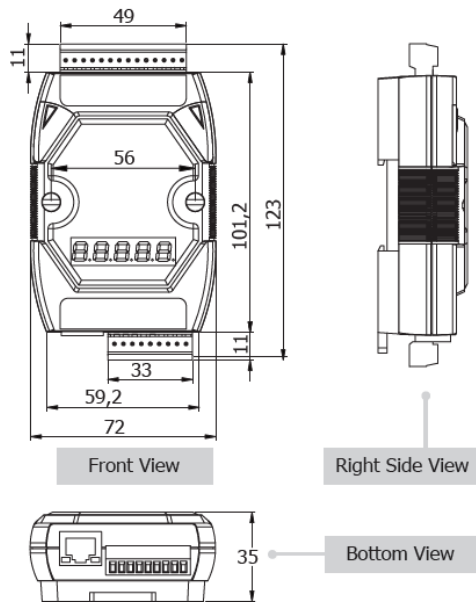
- DO Type; 8 Power Relay (Form A)
- 10/100 Base-TX Ethernet
- IEEE 802.3af-compliant Power over Ethernet (PoE)
- Built-in Web Server for device configuration
- DIN-Rail or Wall Mounting
- Limited to one relay module per each instance of Fike Video Analytics Software

### System Architecture

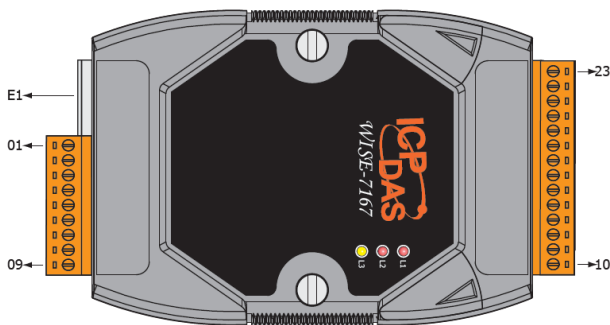


This document is only intended to be a guideline and is not applicable to all situations. Information is subject to Fike’s full disclaimer at <http://www.fike.com/disclaimer>.

## Dimensions (Units: mm)



## Pin Assignments



Terminal No.	Pin Assignment	Terminal No.	Pin Assignment
E1	RJ-45	12	RL0 NO
01	RL6 NO	13	RL0 COM
02	RL6 COM	14	RL1 NO
03	RL7 NO	15	RL1 COM
04	RL7 COM	16	RL2 NO
05	N/A	17	RL2 COM
06	(R) +Vs	18	RL3 NO
07	(B) GND	19	RL3 COM
08	(R) +Vs	20	RL4 NO
09	(B) GND	21	RL4 COM
10	N/A	22	RL5 NO
11	N/A	23	RL5 COM

## I/O Specifications

Power Relay		
Output Channels	8	
Output Type	Power Relay, Form A (SPST N.O.)	
Operating Voltage Range	250 VAC / 30 VDC	
Max. Load Current	5.0 A/channel at 25°C	
Operate Time	6 ms (Typical)	
Release Time	3 ms (Typical)	
Electrical Life (resistive load)	VDE	5A 250 VAC 30,000 ops (10 ops/minute) at 75°C
		5A 30 VDC 70,000 ops (10 ops/minute) at 75°C
	UL	5A 250 VAC/30 VDC 6,000 ops
		3A 250 VAC/30 VDC 100,000 ops
Mechanical Life	20,000,000 ops. at no load (300 ops./minute)	

## System Specifications

System	
CPU	16-bit
SRAM	512KB
Flash Memory	512KB
EEPROM	16KB
Watchdog	Yes
Communication	
PoE Ethernet Port	10/100 Base-TX and automatic MDI/MID-X
2-Way Isolation	
I/O	3000 Vms
EMS Protection	
ESD (IEC 61000-4-2)	4 kV Contact for each terminal
EFT (IEC 61000-4-4)	+/- 2 kV for Power
LED Indicators	
PoE Power	PoE On
L1	System Running
L2	Ethernet Link/Act
L3	Ethernet 10/100 M Speed
Power Requirements	
Reverse Polarity Protection	Yes
Powered from Terminal Block	Yes, 12 ~ 48 VDC
Powered from PoE	Yes, IEEE 802.3af, Class 1
Consumption	5.3 W
Mechanical	
Dimensions (WxLxD)	72 mm x 123 mm x 35 mm (2.8" x 4.8" x 1.4")
Installation	DIN-Rail or Wall mounting
Environment	
Operating Temp	-25°C ~ +75°C (-13°F ~ +167°F)
Storage Temp	-30°C ~ +80°C (-22°F ~ +176°F)
Humidity	10 ~ 90% RH, non-condensing

This document is only intended to be a guideline and is not applicable to all situations. Information is subject to Fike's full disclaimer at <http://www.fike.com/disclaimer>.