

MAIN-RESERVE SWITCH



FEATURES

- Compatible with Fike suppression control panels
- Stackable, screw terminal
- 304 stainless steel faceplate with etched text
- Two normally open contact blocks
- Two normally closed contact blocks
- Surface or flush mountable
- Two-position switch

General

This switch is required for all main-reserve fire suppression systems. It provides a means to connect the reserve agent supply to the releasing circuit on the control unit following discharge for uninterrupted protection. The assembly consists of a two-position switch, two normally open contact blocks, and two normally closed contact blocks.

Approvals

Underwriters Laboratories (UL)
 Factory Mutual (FM)
 California State Fire Marshal (CSFM)

For exact certification listings, please reference the respective agency web site.

Ordering Information

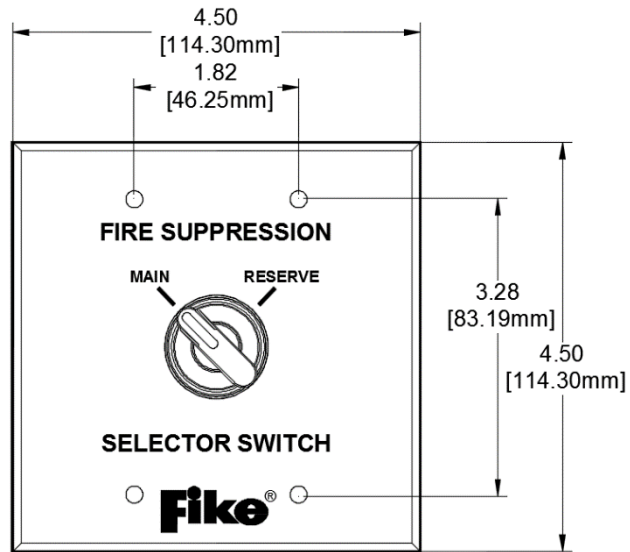
Part Number	Description
10-2967	Main-Reserve Switch Assembly
10-2980 ¹	Main-Reserve Switch
10-2968 ¹	Stainless Steel Faceplate
02-16365	Contact Block, Normally Open (NO)
02-16366 ²	Contact Block, Normally Closed (NC)
02-2316 ²	Mounting Screws (4 required)
02-4780 ²	Contact Block Adapter
02-16401 ²	Anti-Rotation Ring
02-16402 ²	Locking Lever Cap
02-12318	Locking Ring Wrench
02-16369 ³	30mm to 22mm Trim Ring
02-17420	2-Gang Masonry Box, RACO 696 or equal
¹ Included in 10-2967 switch assembly. ² Included in 10-2980 switch assembly. ³ Allows 22 mm switch to be mounted to a 30mm switch faceplate.	

Specifications

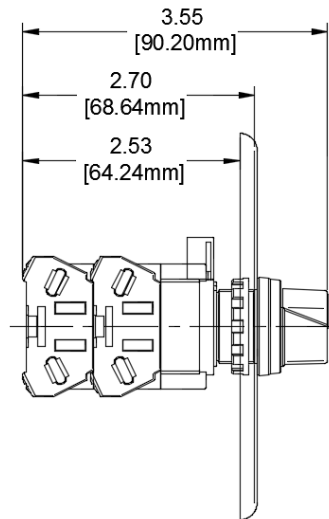
Operating Temperature:	0°C to 49°C (32°F to 120°F)
Operating Humidity:	93% RH, non-condensing
Weight:	0.35 lb. (158.75 grams)
Mounting:	2-Gang masonry box (RACO 696)
Contact Block Rating:	30VDC @ 5 AMPS
Applicable Wire Size:	Minimum 1 x 22 AWG, max 2 x 14 AWG or 1 x 12 AWG
Compliance:	Restriction of Hazardous Substances (RoHS)

This document is only intended to be a guideline and is not applicable to all situations. Information is subject to Fike's full disclaimer at <http://www.fike.com/disclaimer>.

Product Diagram/Dimensions



Switch Front View



Switch Side View

This document is only intended to be a guideline and is not applicable to all situations.
Information is subject to Fike's full disclaimer at <http://www.fike.com/disclaimer>.