

# Flameless Explosion Venting

## Type EleQuench™

Fike's EleQuench is an elevator flameless venting device that allows conventional venting in indoor and outdoor applications. The technology consists of various layers of high temperature stainless steel mesh, which absorb the heat produced during the combustion and retain the dust particles, resulting in no release of flame and marginal release of dust particles.



### SPECIFICATIONS

<b>Type</b>		EleQuench™	
<b>Sizes</b>		170 x 470mm	
		170 x 560mm	
		220 x 740mm	
		270 x 458mm	
		300 x 500mm	
		350 x 650mm	
<b>Material of Construction</b>	<b>Body</b>	Painted Carbon Steel	
	<b>Filter</b>	Stainless Steel	
<b>Compatible Explosion vents</b>		EleGuard	
<b>Operating Conditions</b>		Not exposed to process conditions	
<b>Operating Temperature Range</b>		-40°F to +500°F	-40°C to +260°C
<b>Ambient Temperature</b>		-40°F to +140°F	-40°C to +60°C
<b>Explosion Hazards</b>	<b>K<sub>st</sub></b>	≤ 150 bar.m/s	
	<b>P<sub>red</sub></b>	14.5 psi	1 bar
	<b>Dust type</b>	Organic dust	
<b>Compliant</b>		NFPA 61 & 68	
<b>Approvals</b>			
<b>ATEX Approvals</b>	<b>Marking</b>	Ex D	
	<b>Norms</b>	EN 16009:2014	
	<b>Certification</b>	LOM 01ATEX6056U	
<b>European Conformity CE Approval</b>		CE 0948	
<b>Other Approvals</b>		EAC	

OPTIONS

- Dust Cover

The dust cover is suited for indoor protection against dust and can be suited for mild weather protection in outdoor installations, but is not suited to protect against harsh outdoor weather conditions such as intense wind, rain- or snowfall. If there is a question about whether the dust cover is suitable, trials should be executed first to determine if the cover is adequate for the weather conditions specific to the application.



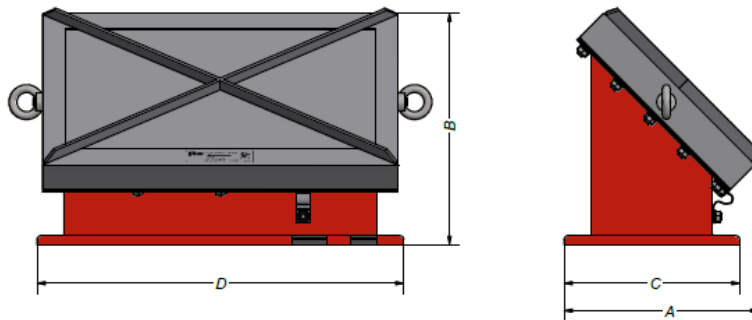
Temperature range		Material
-40°F to 302°F	-40°C to +150°C	Alpha Maritex double-sided silicone-coated glass fibre cloth

INSTALLATION REQUIREMENTS

The EleQuench has an integrated gasket on the bottom where it directly can be installed onto the EleGuard.

The EleGuard installed under the EleQuench must have an integrated Rupture indicator. Bolts, washers and nuts are provided by the customer.

DIMENSIONS



EleQuench													
Size	Dimensions								Weight		Bolt Specifications		
	A		B		C		D		Lbs	Kg	Qty	Size	
	Inch	mm	Inch	mm	Inch	mm	Inch	mm				Inch	mm
170 x 470	12	306	14.25	361	11	276	23	576	42	19	6	3/8"	M10
170 x 560	12	308	14.25	361	11	276	26	666	46	21	6	3/8"	M10
220 x 740	14	356	17	443	13	326	33	846	73	33	8	3/8"	M10
270 x 458	16	404	20	515	15	376	22	564	60	27	6	3/8"	M10
300 x 500	17	434	22	567	16	406	24	606	73	33	6	3/8"	M10
350 x 650	19	484	25	630	18	456	30	756	101	46	6	3/8"	M10

## ORDERING

Please include the following specifications when ordering an EleQuench.

<b>EleQuench</b>	170 x 470	34604900
	170 x 560	34609000
	220 x 740	34607900
	270 x 458	34600900
	300 x 500	34605900
	350 x 650	34603900
<b>Dust Cover</b>	170 x 470	91430288-S
	170 x 560	91430688-S
	220 x 740	91430488-S
	270 x 458	91430088-S
	300 x 500	91430388-S
	350 x 650	91430188-S