

# Flameless Explosion Venting

## Type FlamQuench™ II

Fike's FlamQuench II technology consists of various layers of stainless steel mesh, that absorb the heat produced during combustion and retain the dust particles, allowing conventional venting to be used indoors with no release of flame and marginal release of dust particles.



### SPECIFICATIONS

Type	FlamQuench™ II	
Sizes	8"	DN200
	12"	DN300
	14"	DN350
	16"	DN400
	20"	DN500
	24"	DN600
	30"	DN750
	-	DN800
	36"	DN900
40"	DN1000	
<b>Material of Construction</b>	Stainless steel	
<b>Compatible Explosion vents<sup>(1)(2)</sup></b>	CV, CV-S, CV-SF, HI-CV and HI-CV-S	
<b>Operating Conditions</b>	Not exposed to process conditions	
<b>Operating Temperature Range</b>	-40°F to +500°F	-40°C to +260°C
<b>Ambient Temperature</b>	-40°F to +140°F	-40°C to +60°C
<b>Explosion Hazards</b>	<b>K<sub>st</sub></b>	≤ 300 bar.m/s
	<b>P<sub>red</sub></b>	≤ 14.5 psi
	<b>Dust Type</b>	Organic dust <sup>(3)</sup>
<b>Compliant</b>	NFPA 68	
<b>Approvals</b>		
<b>Factory Mutual</b>	<b>Standard</b>	FM 7730 <sup>(4)</sup>
<b>ATEX Approvals</b>	<b>Marking</b>	⊕ D
	<b>Certification</b>	LOM 01ATEX6056U
<b>European Conformity CE Approval</b>	CE 0948	
<b>Other Approvals</b>	EAC	

- 1) Insulated (CV-I) and Core Filled (CV-CF) vent types shall not be used with flameless venting devices, because pieces of the insulation or filling material may block the flame filter and decrease explosion venting performance.
- 2) Armaflex insulation on the panels is supported.
- 3) For Metal dust applications, consult Fike.
- 4) Sizes up to 24"/DN600 are FM approved.

OPTIONS

- Dust Cover

The Dust Cover is suited for indoor protection against dust and can also be suited for mild weather protection in outdoor installations, but is not suited to protect against harsh outdoor weather conditions with intense wind, rain- or snowfall. If there is a question about whether the dust cover is suitable, trials should be executed first to determine if the cover is adequate for the weather condition specific to the application.

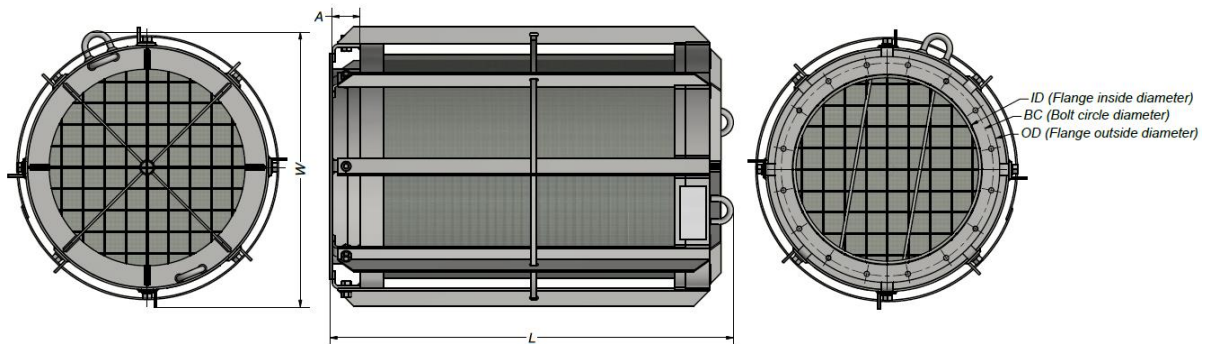


Temperature range	Material
-40°F to 302°F    -40°C to +150°C	Alpha Maritex double-sided silicone-coated glass fiber cloth

INSTALLATION REQUIREMENTS

The FlamQuench II will be installed directly onto the explosion vents. The explosion vent installed under the FlamQuench II must have a discharge gasket and an integrated Rupture indicator. Bolts, washers and nuts are provided by the customer.

DIMENSIONS



FQ II Size	Dimensions (inch)						Bolt Specifications		Approximate Weight (lbs)
	L	W	A	ID	OD	BC	Size	Qty	
8"	23.5	13.0	1.8	8.1	10.6	9.5	5/16"-18UNC	8	44
12"	26.3	19.0	1.8	12.2	15.4	13.8	3/8"-16UNC	12	80
14"	31.5	22.3	2.5	14.2	17.2	15.8	3/8"-16UNC	12	113
16"	35.5	25.0	2.5	16.3	19.3	18.2	3/8"-16UNC	16	168
20"	35.5	28.5	2.5	20.3	23.3	22.2	3/8"-16UNC	20	199
24"	57.8	32.5	2.5	24.3	27.3	26.2	3/8"-16UNC	20	402
30"	86.3	38.8	2.5	30.3	34.3	32.5	1/2"-13UNC	28	635
36"	88.3	46.3	2.5	36.3	40.3	38.5	1/2"-13UNC	32	804
40"	88.3	49.8	2.5	40.3	44.3	42.5	1/2"-13UNC	36	965

FQ II Size	Dimensions (mm)						Bolt Specifications		Approximate Weight (kg)
	L	W	A	ID	OD	BC	Size	Qty	
<b>DN200</b>	599	330	44	208	268	242	M8	8	20
<b>DN300</b>	666	485	44	310	390	355	M10	12	36
<b>DN350</b>	800	565	63	342	422	387	M10	12	51
<b>DN400</b>	900	636	63	393	483	443	M10	16	76
<b>DN500</b>	954	727	63	494	584	544	M10	20	90
<b>DN600</b>	1465	828	63	596	686	646	M10	20	182
<b>DN750</b>	2189	982	63	743	843	798	M10	28	288
<b>DN800</b>	2238	1173	63	799	899	854	M10	28	365
<b>DN900</b>	2238	1173	63	900	1000	955	M10	32	365
<b>DN1000</b>	2242	1264	63	1002	1102	1057	M10	36	438

## ORDERING

Please include the following specifications when ordering a FlamQuench II.

<b>Sizes</b>	8"	E34-001-08 <sup>(5)</sup>
	12"	E34-001-12 <sup>(5)</sup>
	14"	E34-001-14 <sup>(5)</sup>
	16"	E34-001-16 <sup>(5)</sup>
	20"	E34-001-20 <sup>(5)</sup>
	24"	E34-001-24 <sup>(5)</sup>
	30"	E34-001-30 <sup>(5)</sup>
	36"	E34-001-36 <sup>(5)</sup>
	40"	E34-001-40 <sup>(5)</sup>
	DN200	9100020-S
	DN300	91000120-S
	DN350	91000220-S
	DN400	91000320-S
	DN500	91000420-S
	DN600	91000520-S
	DN750	91000620-S
DN800	91000920-S	
DN900	91000720-S	
DN1000	91000820-S	
<b>Dust Cover</b>	8" DN200	91402088-S
	12" DN300	91403088-S
	14" DN350	91403588-S
	16" DN400	91404088-S
	20" DN500	91405088-S
	24" DN600	91406088-S
	30" DN750	91407588-S
	DN800	91408088-S
	36" DN900	91409088-S
	40" DN1000	91410088-S

5) This part number has no ATEX, CE or EAC approval.