

MAIN-RESERVE SWITCH

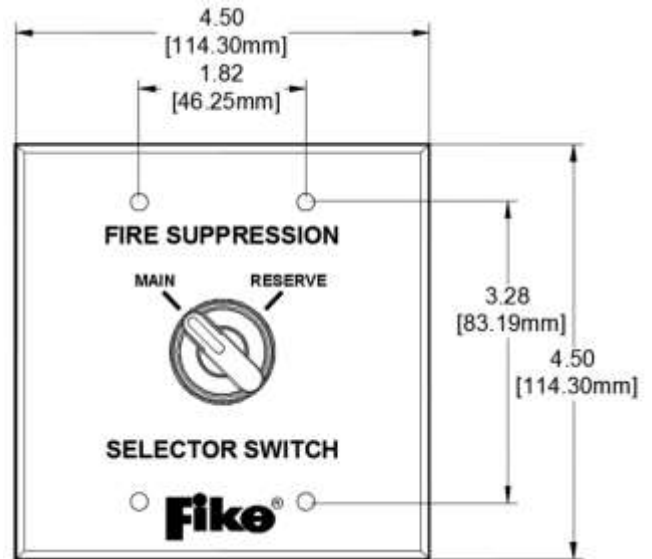
Replacement Parts

Part Number	Description
10-2967	Main-Reserve Switch Assembly
10-2980 ¹	Main-Reserve Switch
10-2968 ¹	Stainless Steel Faceplate
02-16365	Contact Block, Normally Open (NO)
02-16366 ²	Contact Block, Normally Closed (NC)
02-2316 ²	Mounting Screws (4 required)
02-4780 ²	Contact Block Adapter
02-16401 ²	Anti-Rotation Ring
02-16402 ²	Locking Lever Cap
02-12318	Locking Ring Wrench
02-16369 ³	30mm to 22mm Trim Ring
02-17420	2-Gang Masonry Box, RACO 696 or equal

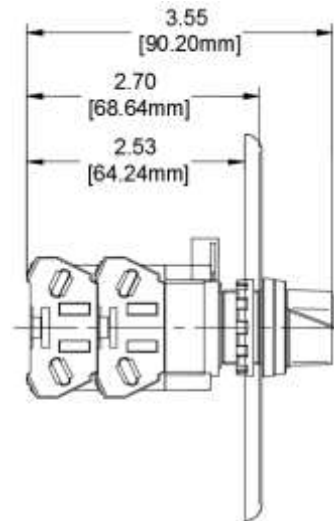
¹Included in 10-2967 switch assembly.
²Included in 10-2980 switch assembly.
³Allows 22mm switch to be mounted to a 30mm switch face plate.

Specifications

Operating Temperature:	0°C to 49°C (32°F to 120°F)
Operating Humidity:	93% RH, non-condensing
Weight:	0.35 lb. (158.75 grams)
Mounting:	2-Gang masonry box (RACO 696)
Contact Block Rating:	30VDC @ 5 AMPS
Applicable Wire Size:	Minimum 1 x 22 AWG, max 2 x 14 AWG or 1 x 12 AWG
Compliance:	Restriction of Hazardous Substances (RoHS)



Switch Front View

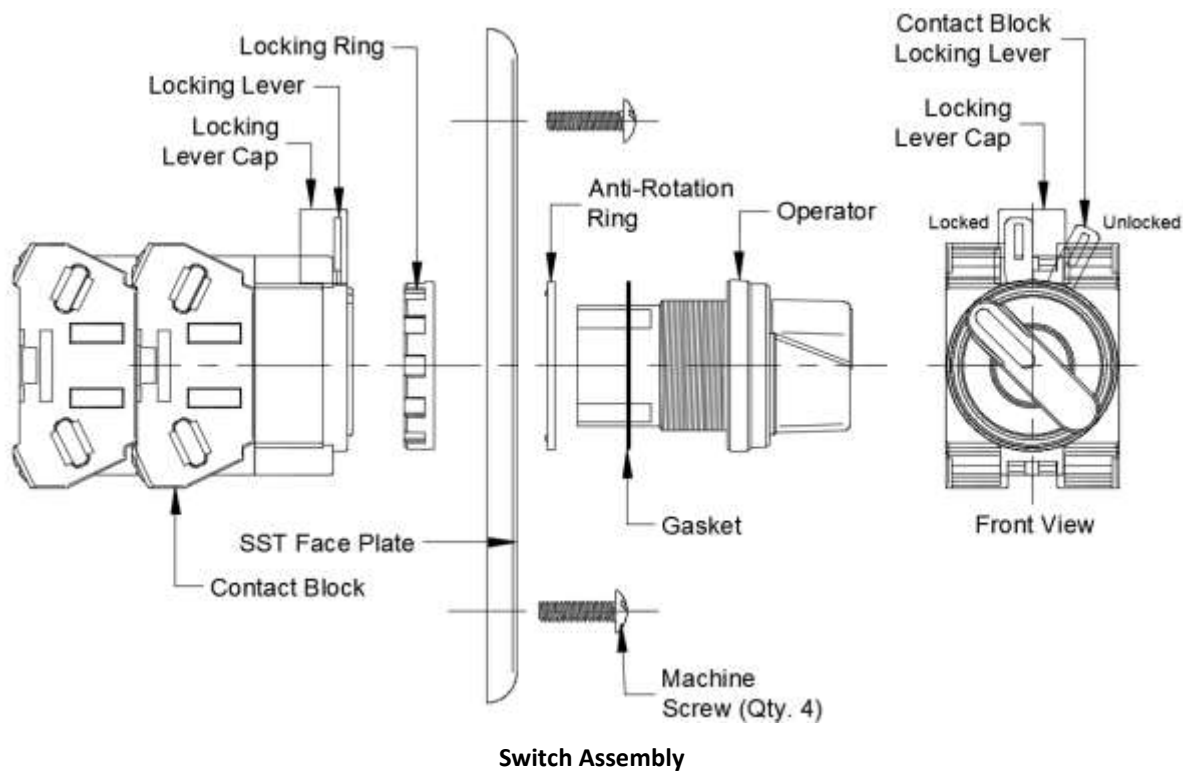


Switch Side View

Switch Assembly

The main-reserve switch components are shipped disassembled and must be assembled prior to installation using the following instructions.

1. Remove the protective plastic film from the stainless steel face plate.
2. Remove the locking ring from the switch operator.
3. Verify that the TOP mark on the operator and the triangle mark (▲) on the anti-rotation ring are alligned.
4. Insert the switch operator through the hole provided in the switch face plate making sure the TOP mark on the operator is facing up and is alligned with the anti-rotation notch provided in the face plate.
5. Install the locking ring onto the switch operator. Tighten using locking ring wrench. Do not over tighten if using pliers. Maximum torque should not exceed 2N-m (20.4 Kgf cm). Do not excessively tighten the locking ring.
6. Remove the locking lever cap from the contact block locking lever.
7. Turn the locking lever to the unlocked position.
8. Mount the contact block to the switch operator.
9. Turn the locking lever to the locked position.
10. Install the locking lever cap onto the locking lever.
11. Switch assembly is complete.



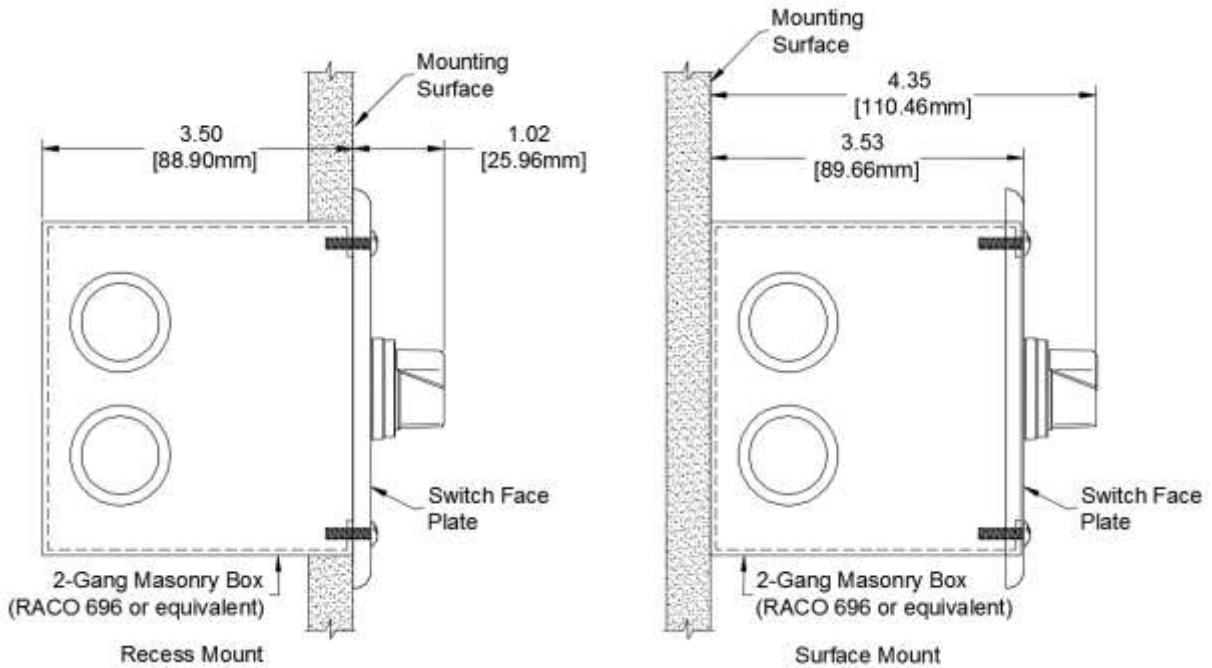
Switch Assembly Installation

WARNING: If installing the switch in an operational system:

- 1) Disconnect the releasing mechanism from all suppression cylinders/containers prior to installation to prevent accidental system discharge.
- 2) Power down the system by removing all power sources feeding the control unit (AC and DC).

NOTE: The mounting location for the switch should be free from excessive vibration, dust, and moisture.

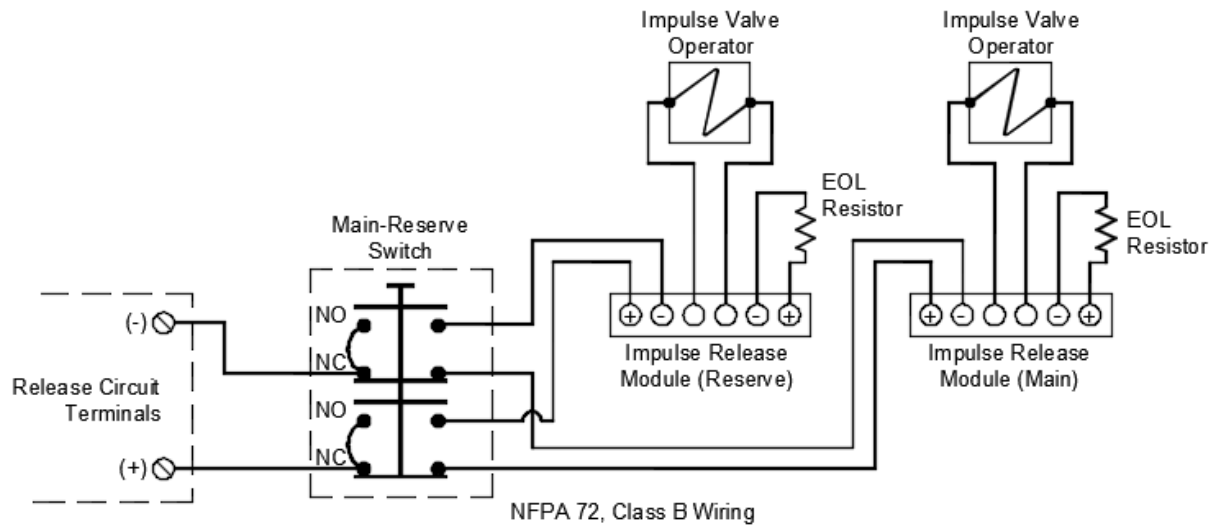
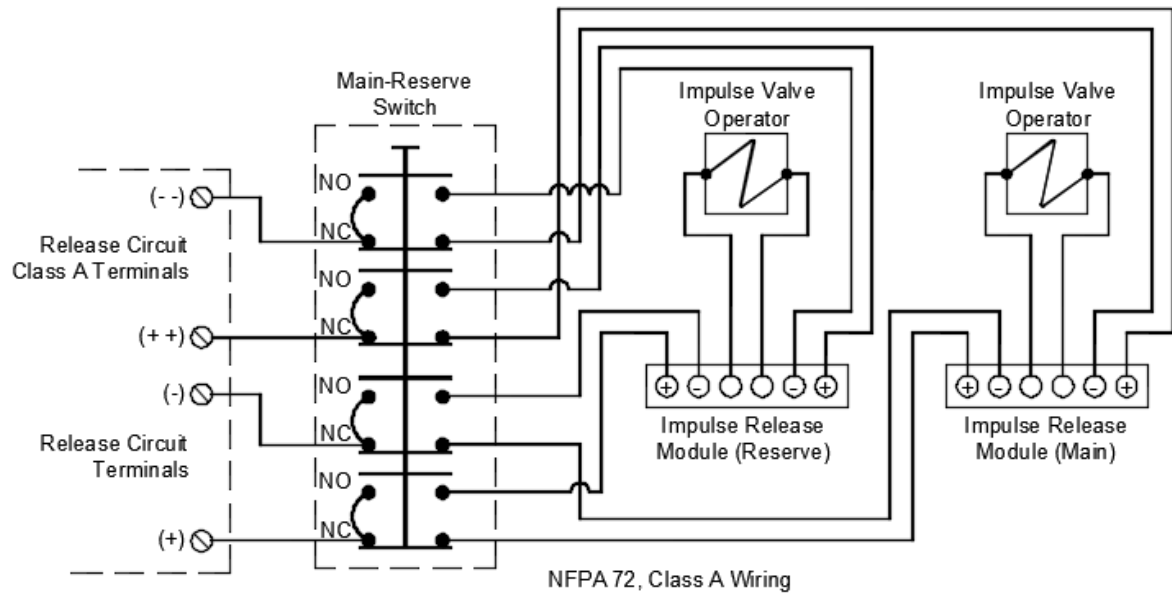
1. Install the electrical box (recess or surface mount).
2. Pull field wiring into electrical box.
3. Connect field wiring to switch contact blocks. Maximum 8mm (0.31 in.) recommended wire insulation stripping length.
4. Secure stainless steel faceplate to mounting box with supplied machine screws.
5. Reapply power to the system and test switch operation prior to reconnecting releasing mechanism to all suppression cylinders/containers.



Switch Mounting

Switch Wiring

Note: Incoming and outgoing conductors must be separated at all terminal connections.



See Control Unit Manual for Specific Wiring Requirements.