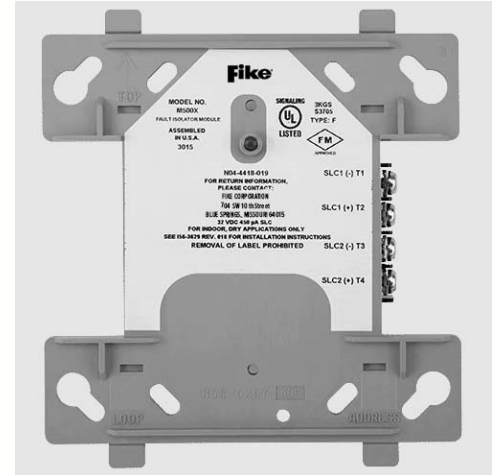


FIK-M500X Line Isolator Module

The FIK-M500X is an SLC loop line isolator module for use with Fike's FCP Series fire alarm control panels (FACPs). The FIK-M500X acts as an automatic switch that opens when the line voltage on the signaling line circuit (SLC) loop drops below four volts.

Isolator modules should be spaced between groups of sensors or modules in a loop to protect the rest of the loop. If a short occurs between any two isolators, then both isolators immediately switch to an open circuit state and isolate the devices between them. The remaining units on the SLC loop continue to operate fully. Not more than 25 devices are recommended for each group.



COMPATIBILITY

The FIK-M500X is compatible with the following Fike FACPs:

- IFP-2100 / IFP-2100ECS / RFP-2100
- IFP-300 / IFP-300ECS
- IFP-75

FEATURES

- Isolates short circuits on an SLC loop
- Protects the modules on the SLC loop, so other devices continue to operate
- Panel controlled status LED that flashes green in normal state and is solid red in alarm
- Standard 4-inch electrical box mounting
- SEMS screws for easy wiring

APPROVALS

- UL Listed
- CSFM
- Factory Mutual Approved

For exact certification listings, please reference the respective agency website.

SPECIFICATIONS

Dimensions (HxWxD):	4.5" x 4" x 1.25" (114.3 mm x 101.6 mm x 31.75 mm)
Shipping Weight:	6.3 oz (196 g)
Operating Voltage:	15 to 32 Vdc
External Power Supply:	Alarm Current: 17mA Standby Current: 450µA max. (not isolating; relay closed)
SLC Loop Resistance:	40Ω
Operating Temperature:	32° - 120°F (0° - 49°C)
Humidity:	10% to 93%, non-condensing
Mounting:	4-inch square electrical box with 2-1/8" min. depth SMB500 surface mount electrical box

ORDERING INFORMATION

Part Number	Description
FIK-M500X	Line isolator module
SMB500	4" Square surface mount electrical box