

FIK-M502M

Zone Interface Module

704 SW 10th Street
 Blue Springs, MO 64015
 Phone: 816.229.3405; Fax: 816.228.9277
www.fike.com

SPECIFICATIONS

Normal Operating Voltage:	15 to 32 VDC
Maximum Current Draw:	5.1 mA (LED on)
Average Operating Current:	270µA (LED flashing)
EOL Resistance:	3.9K Ohms
Maximum IDC Wiring Resistance:	25 Ohms
External Supply Voltage (between Terminals T10 and T11)	
DC Voltage:	Regulated 24 VDC
Ripple Voltage:	0.1 Volts RMS maximum
Alarm Current:	90mA per module
Standby Current:	13mA Maximum @24VDC
Temperature Range:	32°F to 120°F (0°C to 49°C)
Humidity:	10% to 93% Non-condensing
Dimensions:	4½" H x 4" W x 1¼" D (Mounts to a 4" square by 2½" deep box.)
Accessories:	SMB500-WH Electrical Box

For system/product documentation including installation, operation, and maintenance, scan QR code or enter URL provided.



<http://www.fike.com/06-912>

BEFORE INSTALLING

This information is included as a quick reference installation guide. Refer to the control panel installation manual for detailed system information. If the modules will be installed in an existing operational system, inform the operator and local authority that the system will be temporarily out of service. Disconnect power to the control panel before installing the modules.

NOTICE: This manual should be left with the owner/user of this equipment.

GENERAL DESCRIPTION

The FIK-M502M Interface Module is intended for use in intelligent, two-wire systems, where the individual address of each module is selected using the built-in rotary switches. This module allows intelligent panels to interface and monitor two-wire conventional smoke detectors. It transmits the status (normal, open, or alarm) of one full zone of conventional detectors back to the control panel. All two-wire detectors being monitored must be UL compatible with this module.

COMPATIBILITY REQUIREMENTS

To ensure proper operation, this module shall be connected to a compatible Fike system control panel only (list available from Fike).

MOUNTING

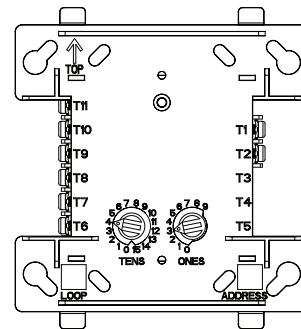
The FIK-M502M mounts directly to 4-inch square electrical boxes. (See Figure 2.) The box must have a minimum depth of 2½ inches. Surface mounted electrical boxes (SMB500-WH) are available from Fike.

WIRING

NOTE: All wiring must conform to applicable local codes, ordinances, and regulations. This module is intended for power-limited wiring only.

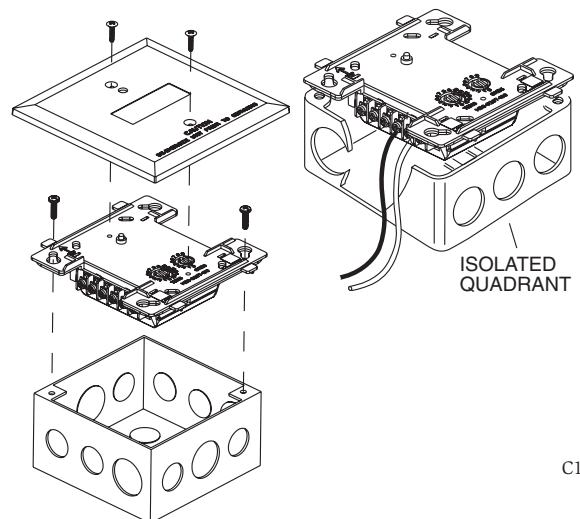
1. Install module wiring in accordance with the job drawings and appropriate wiring diagrams.
2. Set the address on the module per job drawings.
3. Secure module to electrical box supplied by installer. (See Figure 2.)

FIGURE 1. CONTROLS AND INDICATORS



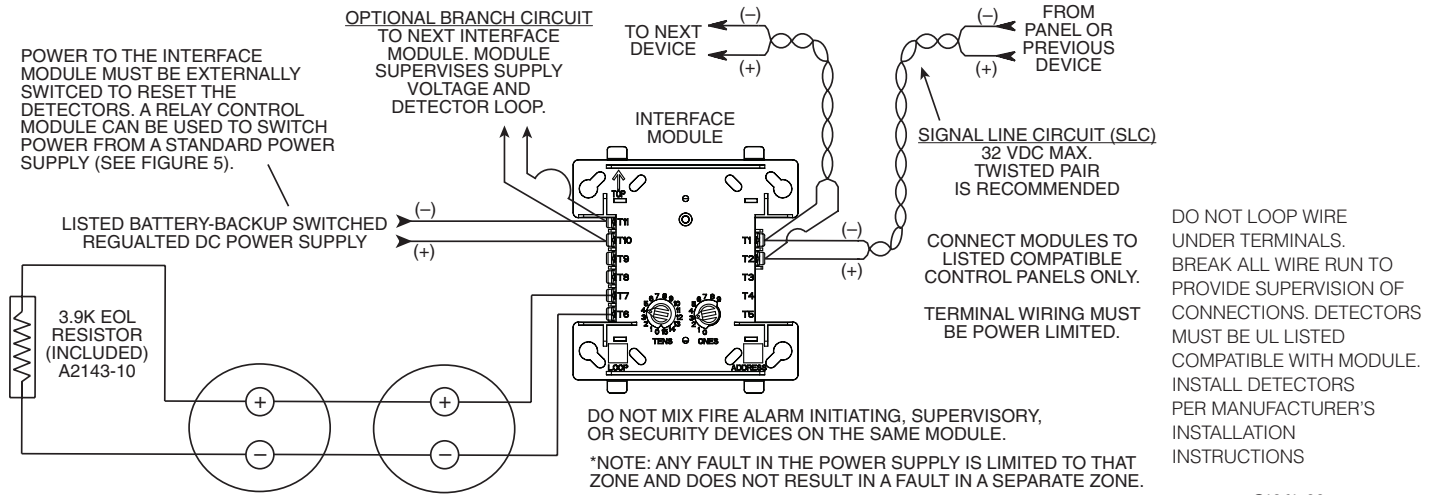
C1059-00

FIGURE 2. MODULE MOUNTING



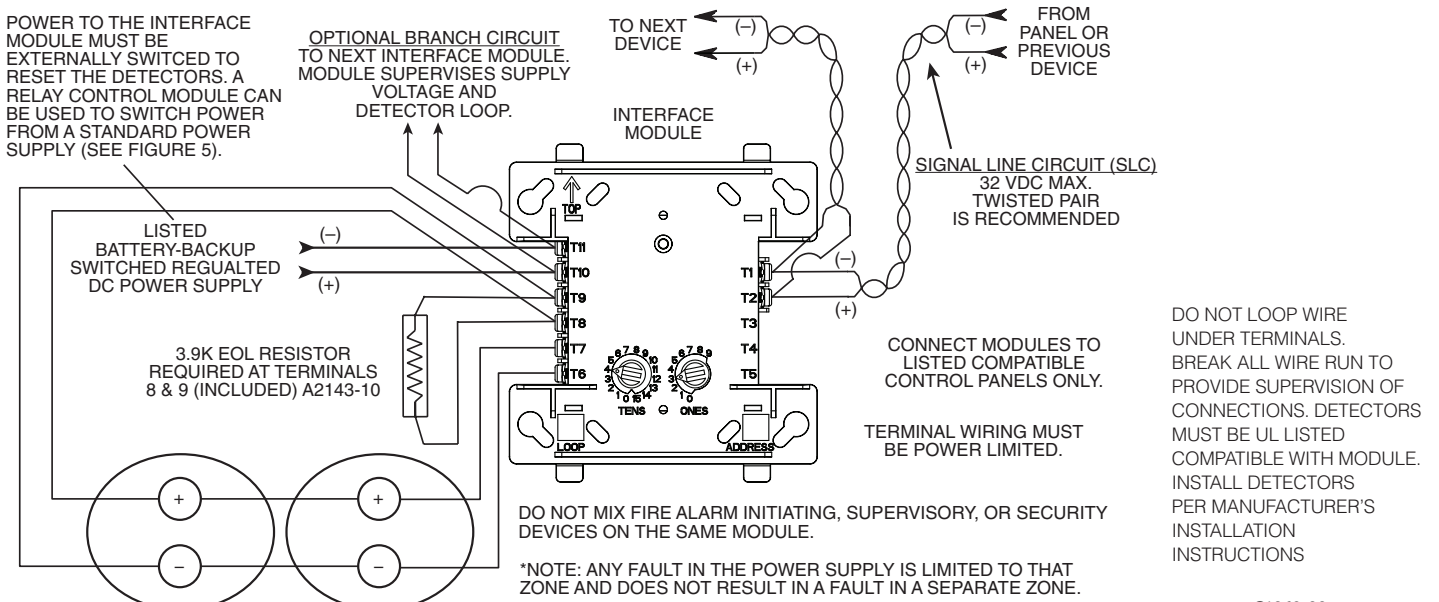
C1066-00

FIGURE 3. INTERFACE TWO-WIRE CONVENTIONAL DETECTORS, NFPA CLASS B



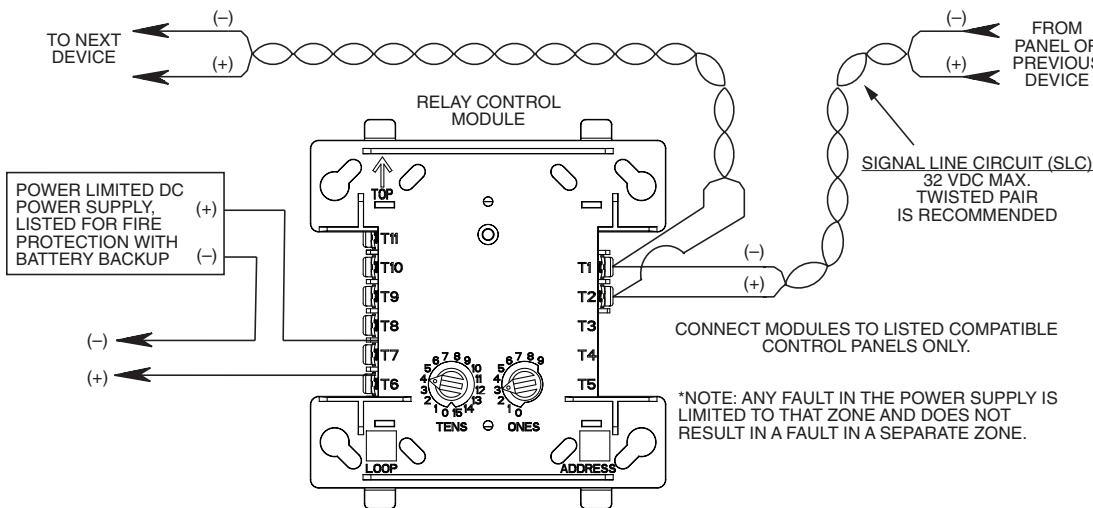
C1061-00

FIGURE 4. INTERFACE TWO-WIRE CONVENTIONAL DETECTORS, NFPA CLASS A



C1062-00

FIGURE 5. RELAY CONTROL MODULE USED TO DISCONNECT A POWER SUPPLY



C0945-00

DEVICE AND SYSTEM SECURITY

Before installing this product ensure that the tamper seal on the packaging is present and unbroken and the product has not been tampered with since leaving the factory. Do not install this product if there are any indications of tampering. If there are any signs of tampering the product should be returned to the point of purchase. It is the responsibility of the system owner to ensure that all system components, i.e. devices, panels, wiring etc., are adequately protected to avoid tampering of the system that could result in information disclosure, spoofing, and integrity violation.

Fike® is a registered trademark the Fike Corporation.