

FIK-W-MONITOR

Wireless Monitor Module

704 SW 10th Street
 Blue Springs, MO 64015
 Phone: 816.229.3405; Fax: 816.228.9277
www.fike.com

SPECIFICATIONS

Maximum Operating Voltage:	3.3 VDC
Maximum Current Draw:	5.0 mA (LED on)
Average Operating Current:	210 µA, 3.9k EOL
EOL Resistance:	3.9K Ohms
Maximum IDC Wiring Resistance:	10 Ohms
Maximum IDC Voltage:	3.2 Volts
Maximum Average IDC Current:	5.5 µA
Maximum Transmit RF Power:	17 dBm
Radio Frequency Range:	902-928 MHz
Temperature Range:	32°F to 120°F (0°C to 49°C)
Humidity:	10% to 93% Non-condensing
Battery Type:	4 Panasonic CR123A or 4 Duracell DL123A
Battery Life:	2 year minimum
Battery Replacement:	Upon TROUBLE BATTERY LOW display and/or during annual maintenance
Dimensions:	4¼ in. H x 4¼ in. W x 1½ in. D
Accessories:	SMB500-WH Electrical Box (preferred mounting option)

For system/product documentation including installation, operation, and maintenance, scan QR code or enter URL provided.



<http://www.fike.com/06-912>

BEFORE INSTALLING

This information is included as a quick reference installation guide. Refer to the control panel installation manual and the SWIFT Wireless Manual for detailed system information. If the modules will be installed in an existing operational system, inform the operator and local authority that the system will be temporarily out of service. Disconnect power to the control panel before installing the modules.

NOTICE: This manual should be left with the owner/user of this equipment.

GENERAL DESCRIPTION

The FIK-W-MONITOR Monitor Module is intended for use with a wireless gateway or wireless fire alarm control panel (FACP) to interface with a device having contacts used to signal status conditions. The input to the monitor module is non-latching and does not require a reset. The device communicates through a robust, bi-directional mesh network to the gateway and/or FACP. Rotary dial switches are provided for setting the module's address. The module has a panel controlled LED indicator. (See Figure 1.)

FACEPLATE

The faceplate includes a magnet for activation and tamper resistance. (See Figure 2.) The faceplate magnet activates communication to the panel, therefore, the faceplate must be installed for the module to work properly. The magnet also activates a supervisory tamper fault at the panel if the nameplate is removed. Do NOT remove this magnet. The faceplate for a wireless module CANNOT be replaced with the faceplate of a standard wired module.

BATTERY REPLACEMENT

Low battery levels on the wireless devices are displayed as a trouble in the FACP. Therefore when the message "TROUBLE BATTERY LOW" is displayed, replace the battery in the device. This message is an indication that approximately one week of battery life remains.

COMPATIBILITY REQUIREMENTS

To ensure proper operation, this module shall be connected to a compatible Fike Series system control panel (list available from Fike).

To replace the batteries in a wireless device use the following steps:

1. Have 4 CR123A (or DL123A) batteries available
2. Remove the faceplate from the module.
3. Open the battery compartment refer to Figure 3.
4. Remove the used batteries and replace with new batteries. The battery compartment is designed such that the batteries can only align in the appropriate direction. Do not force the batteries into the openings.
5. Replace the battery compartment cover.
6. Replace the faceplate.

FIGURE 1. CONTROLS AND INDICATORS

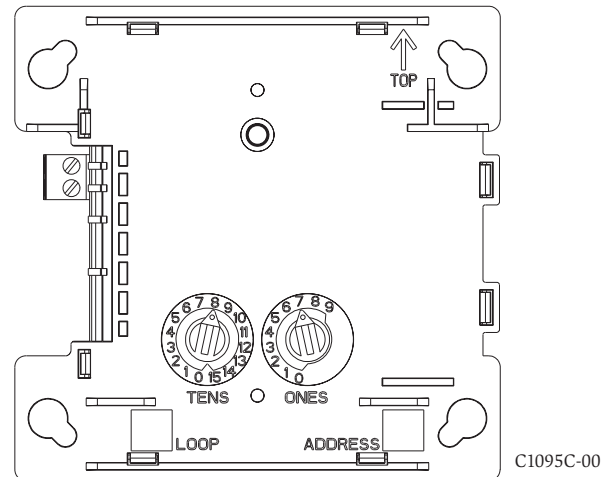


FIGURE 2. FACEPLATE INTERIOR

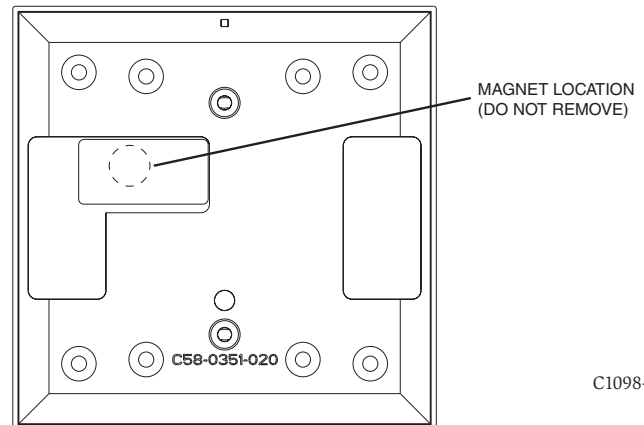
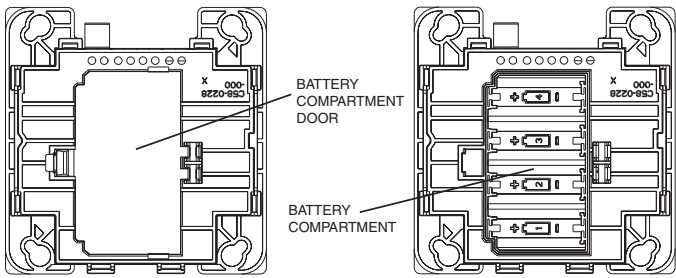


FIGURE 3. BATTERY COMPARTMENT



C2002-00

SPACING

Wireless technologies can exhibit communication disruption if devices are spaced too close together. To avoid this form of disruption, SWIFT devices should not be placed closer than 2 feet (60 cm) apart without an intervening structure.

MOUNTING

The FIK-W-MONITOR mounts directly to an SMB500-WH electrical box. (See Figure 4.) To avoid interference with the wireless network metal electrical boxes are NOT recommended. Non-metal surface mounted electrical boxes (SMB500-WH) are available from Fike. If not using an SMB500-WH, the minimum mounting opening dimensions for the FIK-W-MONITOR are 4 in. X 3 3/4 in. x 1 1/2 in. deep.

NOTE: Do not attach the module to temporary structures such that the placement could be altered.

WIRING

NOTE: All wiring must conform to applicable local codes, ordinances, and regulations. This module is intended for power limited wiring only. FIK-W-MONITOR must be within 3 feet of monitored device when using field wiring or 20 feet in non-metallic conduit.

1. Install module wiring in accordance with the job drawings and appropriate wiring diagrams.
2. Set the address on the module per job drawings.
3. Secure module to electrical box (supplied by installer), as shown in Figure 4.

FIGURE 4. MODULE MOUNTING

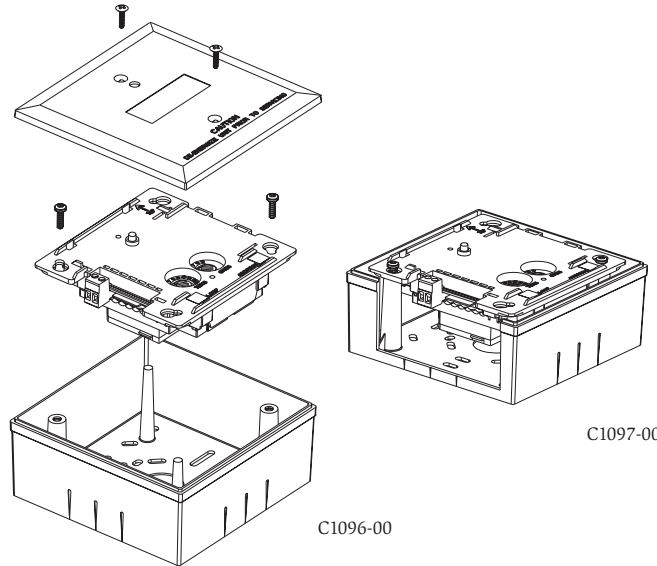
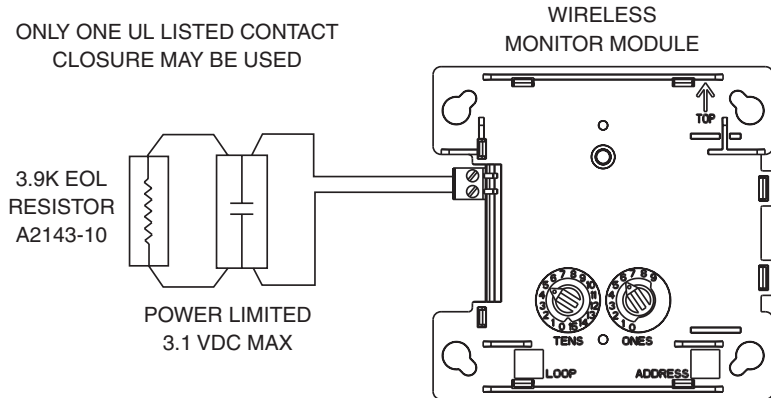


FIGURE 5. TYPICAL MONITORING CONFIGURATION



INSTALL CONTACT CLOSURE DEVICES PER MANUFACTURER'S INSTALLATION INSTRUCTIONS. WIRELESS MONITOR MODULE MUST BE WITHIN 3 FEET OF MONITORED DEVICE WHEN USING FIELD WIRING OR 20 FEET IN NON-METALLIC CONDUIT.

C1099G-00

SUPPLEMENTAL INFORMATION

For Limitations of Fire Alarm Systems, please go to:
<http://www.systemsensor.com/en-us/Documents/156-1558.pdf>



Limitations of Fire Alarm Systems

FCC STATEMENT

This device complies with part 15 of the FCC Rules. Operation is subject to the following two conditions:

1. This device may not cause harmful interference, and
2. This device must accept any interference received, including interference that may cause undesired operation.

WARNING: Do not make changes to the equipment. Changes or modifications not expressly approved by the manufacturer could void the user's authority to operate the equipment.

LICENSING STATEMENT

Use of these products in combination with non-Honeywell products in a wireless mesh network, or to access, monitor or control devices in a wireless mesh network via the internet or another external wide area network, may require a separate license from Sipco, LLC. For more information, contact Sipco, LLC or Ipco, LLC at 8215 Roswell Rd., Building 900, Suite 950, Atlanta, GA 303350, or at www.sipcollc.com or www.intusiq.com.