

### SK-F485C Fiber to SBUS Converter

The SK-F485C offers a seamless conversion from panel SBUS connection to fiber and back again.

*Note: Product is not to be used to network FACP's.*

*Note: Primary power, SBUS, and SLC circuits are supervised and power limited. Fiber optic circuits are supervised.*

### Compatibility

The SK-F485C is for use with compatible Honeywell Silent Knight and Farenhyt Series FACP's and power supplies.

*Note: For programming and more information see Installation manual.*

### Specifications

- External Power Supply: 9-35VDC @ 125 mA max
- Fiber Connection Duplex ST connectors for Tx and Rx Data Fiber Cable Duplex 62.5 micron Multimode Fiber Data Rate 115.2K bits/second
- Fiber Distance Up to 1.0 Mile (1.6Km) SK-F485C Connection (two-wire) or Terminal strip, and jumper selectable bias / termination

*Note: There are several jumpers on the board. These jumpers need to remain in place.*

- Maximum attenuation 5.5db
- SK-F485C Cable, single twisted pair, 24AWG, Helix 21011.
- SK-F485C Data Direction Control Automatic half duplex transmitter enable control, for any baud rate / data bits
- Operating Temp: 32° - 120°F (0-49°C)
- Humidity: 10%-93% (non-condensing)
- Dimensions: 4.75" x 4.25" x 1.0"

### Mounting

You can mount the SK-F485C in a compatible FACP cabinet.

To mount the SK-F485C:

1. Remove AC power and disconnect the backup batteries from the main control
2. Mount the SK-F485C in an FACP or power supply using the 1/4" standoff provided and secure with screws provided. See Figure 1 and Figure 2.

*Note: When the SK-F485C is used with IFP-100, 5808, IFP-75, 6700, IFP-50, or 5700 you must use the 5815RMK cabinet.*



Figure 1: 1/4" Standoff and Screw

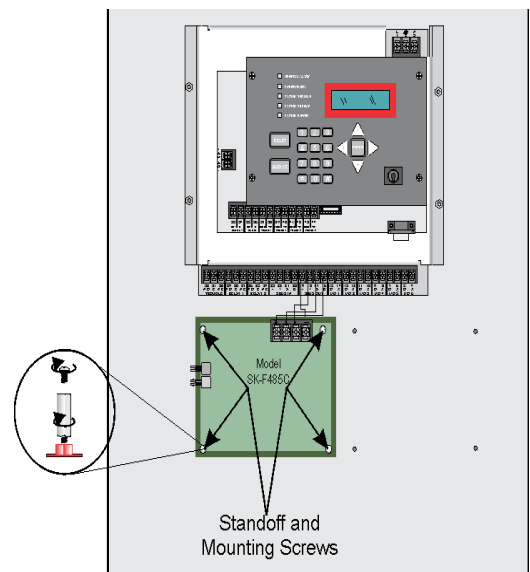


Figure 2: SK-F485C Mounting in FACP Cabinet

## Mounting using 5815RMK

The 5815RMK is a remote mounting kit that lets you install up to two SK-F485C converter modules in a single cabinet.

**Note:** When using a 5815RMK, you must mount it within 20' of the control panel or power supply in conduit.

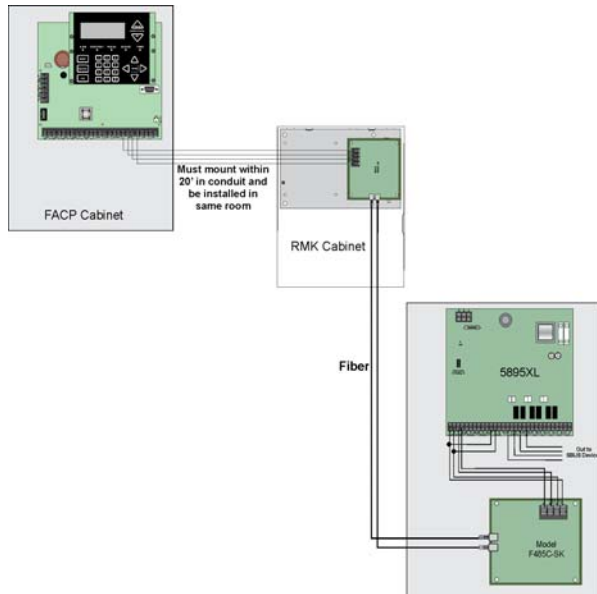


Figure 3: SK-F485C mounting using 5815RMK

## Wiring

See Table 1 and Figure 4 to wire a SK-F485C to a compatible FACP.

Table 1: SK-F485C to FACP Connections

SK-F485C Terminals	FACP SBUS Out Terminals
+	+
-	-
A	A
B	B

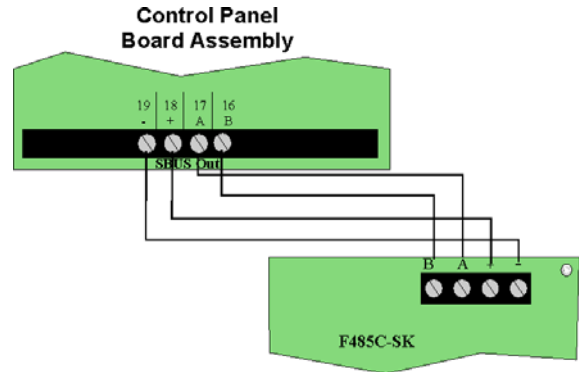


Figure 4: SK-F485C connection to the panel  
SK-F485C to SK-F485C Connection

See Table 2 for terminal connections for SK-F485C to the SK-F485C.

Table 2: SK-F485C to SK-F485C Connection

SK-F485C Terminals	SK-F485C Terminals
RX	TX
TX	RX

## SK-F485C to Power Supply Connection

See Table 3 and Figure 5 for terminal connections for SK-F485C to the 5895XL or RPS-1000.

Table 3: SK-F485C to Power Supply Connection

SK-F485C Terminals	Power Supply Terminal Number	
+	32	
-	33	
A	31	
B	30	
	22	32
	23	33

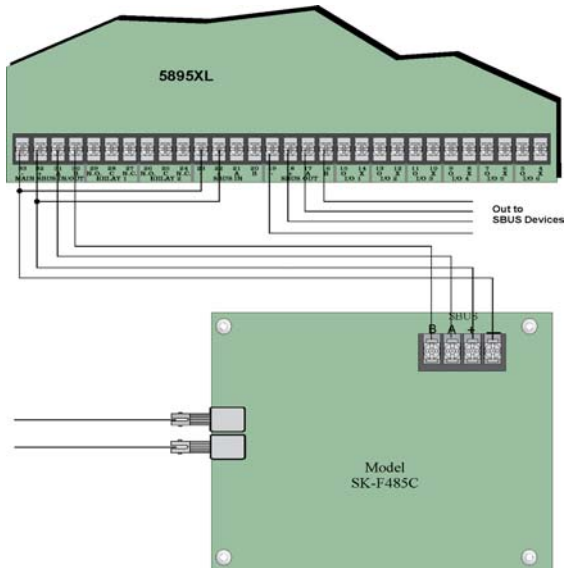


Figure 5: SK-F485C to power supply terminal connection

## Panel to Power Supply Fiber Connection

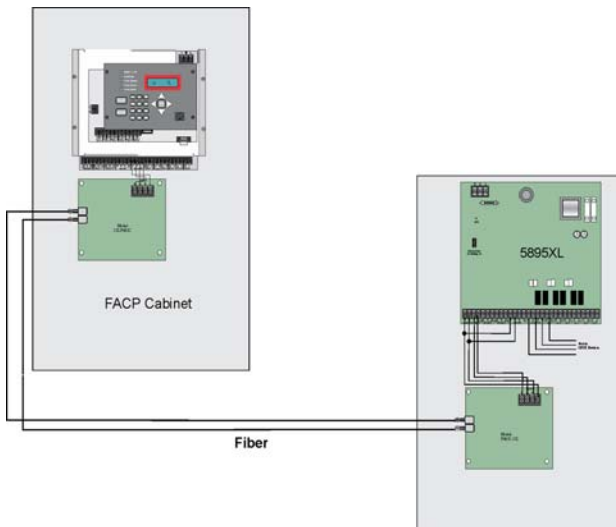


Figure 6: Connecting fiber from panel to power supply