



**FIKE CORPORATION**  
704 SW 10th Street  
Blue Springs, MO 64015  
www.fike.com

# FIK-RPU Remote Paging Unit Product Installation Document

PN LS10152-002FK-E:A 04/20/2021 ECN: 151526

## 1 Description

The FIK-RPU Remote Paging Unit provides a supervised microphone for live communication and an interface for the Emergency Communication System. If the FIK-RPU is intended to be fully functional as an LOC, it requires the installation of an associated FIK-RA100, FIK-RA1000 or FIK-RA2000.



Figure 1 FIK-RPU



**NOTE:** The installation and the wiring of this device must be done in accordance with the NFPA 72 and the local ordinances.

### 1.1 Compatibility

The FIK-RPU is compatible with the following Fike Series, Fire Alarm Control Panels (FACPs).

- FCP-300ECS
- FCP-2100ECS



**NOTE:** For programming and DIP switch settings, refer to the FACPs Installation Manual.

### 1.2 Electrical Ratings

- Standby Current: 70mA
- Alarm Current: 100mA

## 2 Mounting the Cabinet

1. Open the cabinet door, remove the dead front panel screws and open the dead front panel.
2. Remove the AC power and disconnect the backup batteries from the Main Control Panel.

When mounting on interior walls, use the appropriate screws such as #10 sheetrock or use a concrete screw to anchor into plaster. When mounting on concrete, especially when moisture is expected, attach a piece of 3/4 inch plywood to the concrete surface and then attach the FIK-RPU to the plywood.

## Surface Mounting

The cabinet can be mounted on the wall surface by using the mounting holes in the back of the cabinet.

1. Insert the two screws level with each other, 12" apart for the top cabinet key shaped holes.
2. Hang the cabinet onto the two screws. Tighten the screws down.
3. Insert the two screws into the two bottom mounting holes and tighten them snug to the cabinet. Refer to Figure 2.

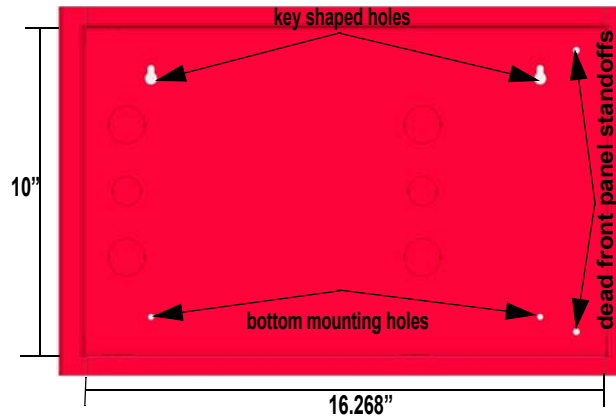


Figure 2 Cabinet Mounting Holes

## Recessed Mounting

Refer to the following steps to recess mount the cabinet:

1. Remove the cabinet door and the dead panel front.
2. Cut a recess hole.  
There should be 1.5" to 1.75" spacing from the cabinet extending from the wall. The spacing should be measured from either the top edge or the bottom edge to the exterior side of the sheet rock.
3. To mount the cabinet to the wall studs, insert a screw through the cabinet's side mounting holes and into the wall stud.
4. Re-attach the cabinet door and the dead front panel assembly.

### 2.1 Accessing the Board

When it is necessary to access the board, refer to the following steps to open the dead front panel 180°.

1. Remove the two dead front panel screws near the microphone.
2. Loosen the two dead front panel hinge plate nuts that are in the long slots.
3. Open the dead front panel 90° and then pull the dead front forward. Tighten the two nuts. The dead front panel will be able to swing open 180°. Refer to Figure 3.

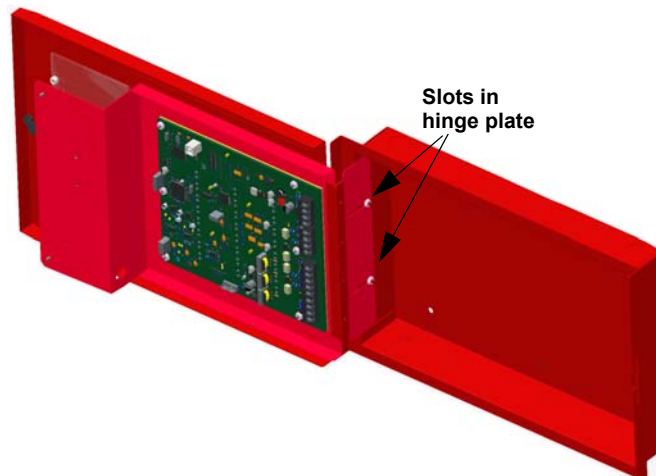


Figure 3 FIK-RPU Module Opened at 180°

## 2.2 Board Layout

Figure 4 shows the back view of the FIK-RPU board.

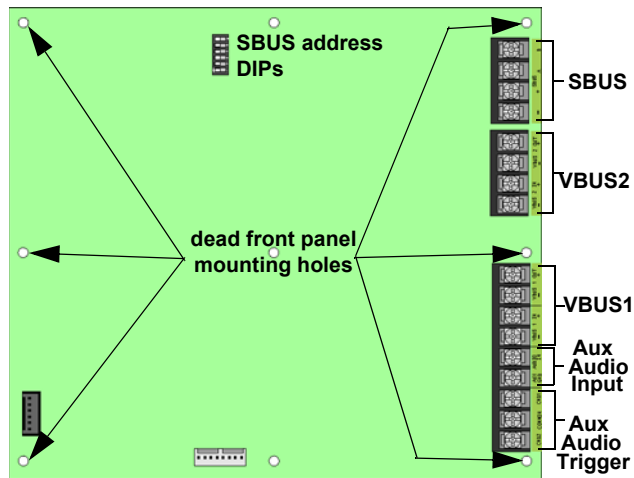


Figure 4 Back View of FIK-RPU Board

## 3 Wiring to a FACP

To properly wire the FIK-RPU to the FACP SBUS, refer to Figure 5.

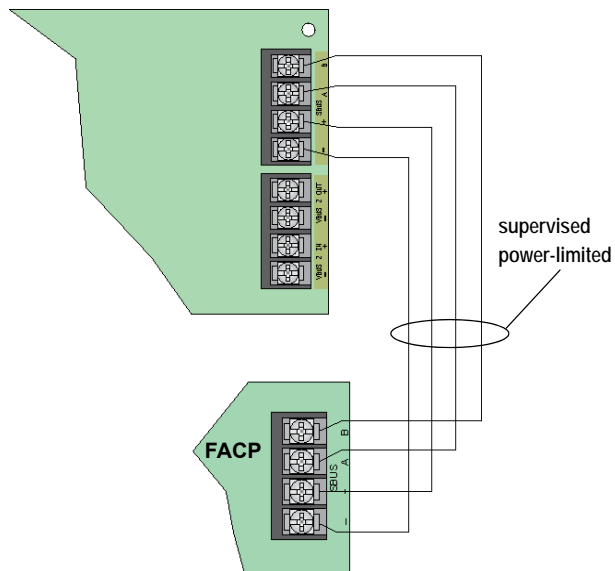


Figure 5 Wiring to the FACP

## 4 Microphone Installation

1. Clip the microphone into the microphone clip. See Figure 6.

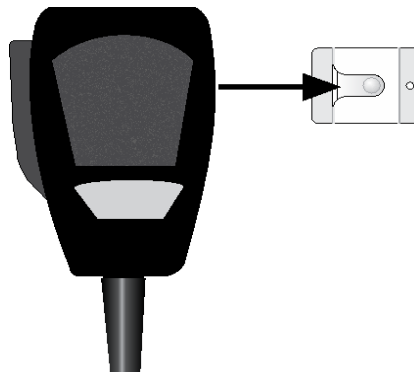
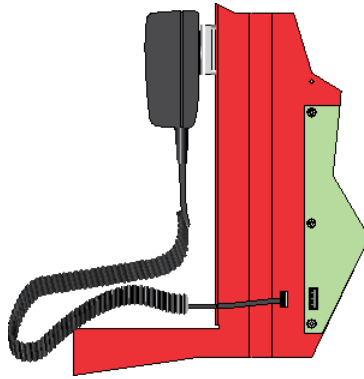


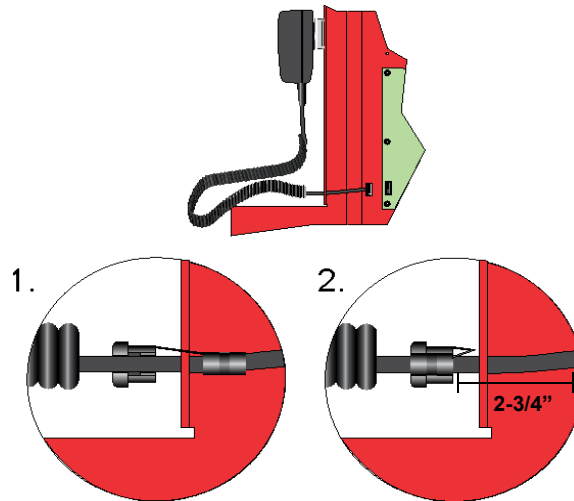
Figure 6 Sliding the Microphone into the Microphone Clip

2. Insert the microphone cord through the hole at the bottom of the dead front panel. See Figure 7.



**Figure 7 Microphone Cord Inserted Through the Dead Front Panel Hole**

3. Attach the strain relief clip to the microphone cord. The strain relief clip should have about 2<sup>3</sup>/<sub>4</sub>" of microphone cord through it. Refer to Figure 8.



**Figure 8 Strain Relief Clip Installation**

4. Push the strain into the hole in the dead front panel.
5. Restore the AC power and reconnect the backup batteries.

## 4.1 Optional Accessory

THUMBLTCH - Turn latch lock (not intended for UL installations).