



FIKE CORPORATION
704 SW 10th Street
Blue Springs, MO 64015
www.fike.com

FIK-NVCM Product Installation Document

PN LS10169-002FK-E:A 03/04/2021 ECN: 151526

1 Description

The FIK-NVCM Network Voice Control Module is contained within the ECS Series panel enclosure. It includes a supervised microphone that provides live communication and is used as an interface for the Emergency Communication System.



NOTE: The installation and wiring of this device must be done in accordance with the NFPA 72 and the local ordinances.

1.1 Compatibility

The FIK-NVCM is compatible with the following Fike Series, Fire Alarm Control Panels (FACPs). For programming, addressing and wire connections, refer to FACP Installation manual.

- FCP-300ECS
- FCP-2100ECS

2 Board Layout and Mounting

1. Remove the AC power from the FACP.
2. Open the cabinet to access the FIK-NVCM board.
3. The FIK-NVCM mounts under the FACP board on the six mounting studs in the cabinet. Refer to Figure 1 and Figure 2.

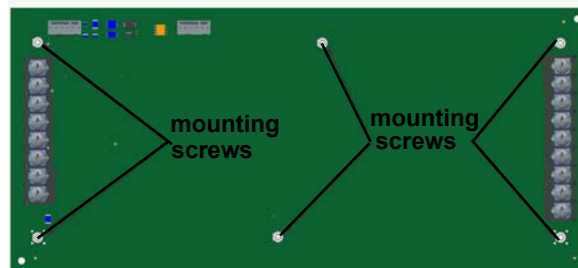


Figure 1 FIK-NVCM Mounting Holes

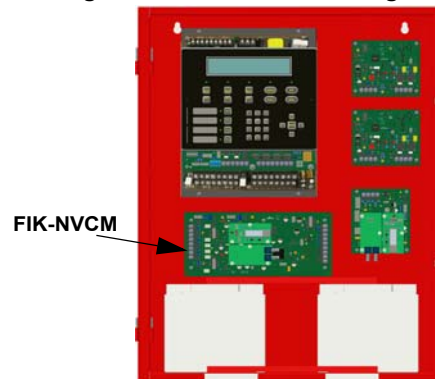


Figure 2 Mount Inside the FACP Cabinet

3 Specifications

- Standby Current: 59mA
- Alarm Current: 59mA
- Operating Voltage: 24VDC
- Operating Temperature: 32°F to 120°F (0°C to 49°C)

4 Connection to the FACP

1. Connect the FIK-NVCM (P4) connector to the FACP Network Voice Connector. See Figure 3 to properly connect.

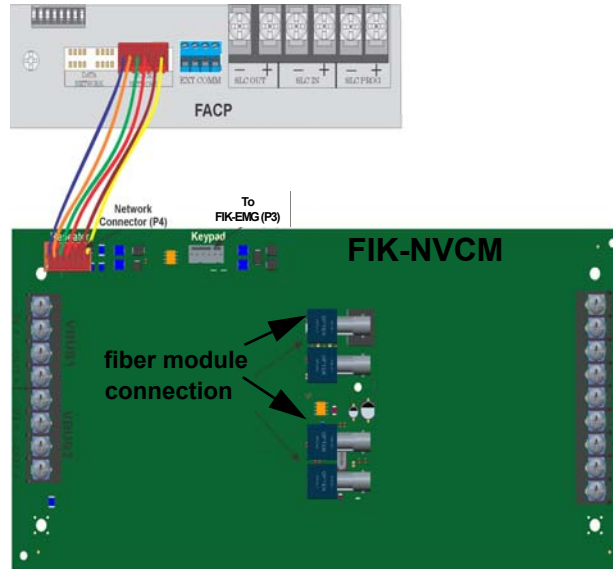


Figure 3 FIK-NVCM Connection to the FACP

2. Connect the FIK-NVCM (P3) connector to the FIK-EMG Touchpad. See Figure 4 for location.

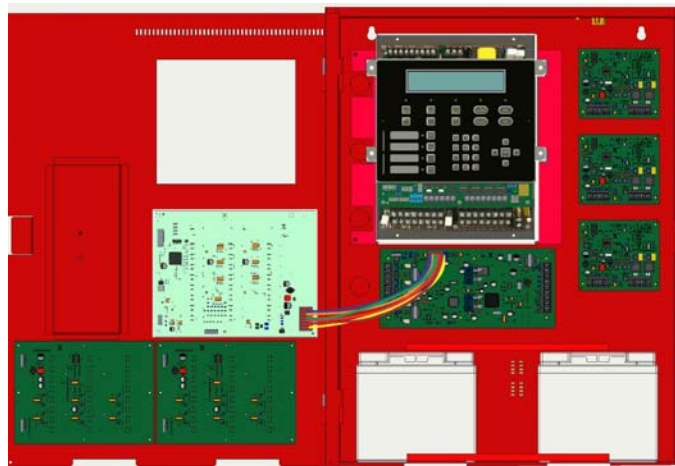


Figure 4 FIK-NVCM Connection to the FIK-EMG Touchpad

3.1 Fiber Modules

The FIK-NVCM provides support for the following two types of Fiber-Optic Modules to convert wire to fiber.

- FIK-FML- Fiber-Optic Multi-Mode
- FIK-FSL- Fiber-Optic Single-Mode

For more information on the Fiber-Optic Modules, refer to the FIK-FML/FIK-FSL Installation Instructions, P/N:LS10178-002FK-E.