



FIKE CORPORATION
704 SW 10th Street
Blue Springs, MO 64015
www.fike.com

FIK-LOC Product Installation Document

PN LS10187-002FK-E:A 03/03/2021 ECN: 151526

1 Description

The Fike Series, FIK-LOC Local Operator Console is a combination FIK-RVM Remote Voice Module and its associated FIK-RA2000 keypad annunciator. It is compatible with the Fike Series, Emergency Communication System.



NOTE: The installation and wiring of this device must be done in accordance with the NFPA 72 and the local ordinances.

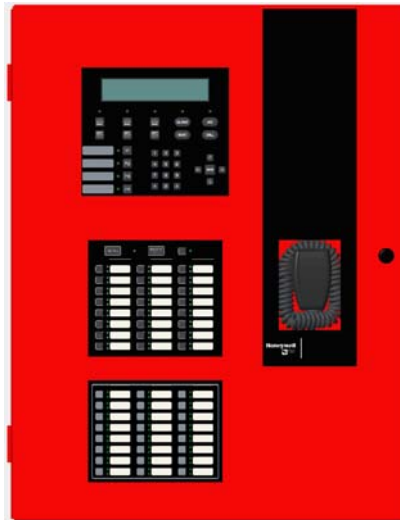


Figure 1 FIK-LOC cabinet

1.1 Compatibility

The FIK-LOC is compatible with the following Fike Series FACPs.

- FIK-2100ECS
- FIK-300ECS



NOTE: For programming, addressing and wire connections, refer to the Fike Series, ECS Installation Manual PN:LS10262-001FK-E.

1.2 Electrical Ratings

- Standby Current: 100mA
- Alarm Current: 150mA
- Operating Voltage: 24VDC
- Operating Temperature: 32°F to 120°F (0°C to 49°C)

2 Mounting the Cabinet

1. To remove the doors, slide the doors over the two pins in the hinge bracket of the base. Use the outer hinge pins for the door, and use the inner hinge pins for the dead front. See Figure 3.
2. Remove the AC power and disconnect the backup batteries from the main control panel.
3. If you mount the cabinet on the interior walls, use the appropriate screws such as #10 sheet rock or a concrete screw to anchor it into the plaster.
4. If you mount the cabinet on concrete, especially when moisture is expected, attach a piece of $\frac{3}{4}$ " plywood to the concrete surface and then attach the FIK-LOC to the plywood.

Surface Mounting

1. Use the mounting holes in the back of the cabinet to mount the cabinet on the wall surface.
2. Mark and pre-drill holes in the wall for the center top keyhole mounting bolts using the dimensions in Figure 2.
3. Place the backbox over the top screws, level and secure the screws to the backbox.
4. Install the remaining fasteners and tighten

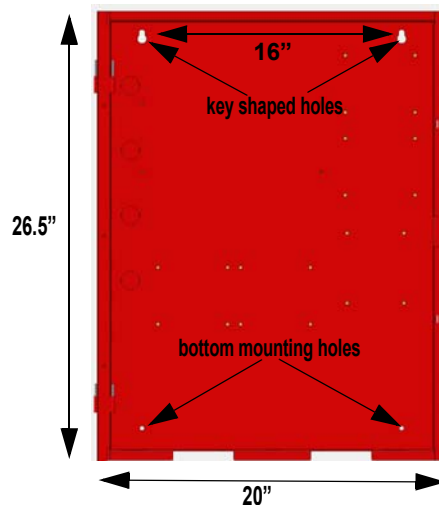


Figure 2 Cabinet Mounting Holes

Recessed Mounting

To recess mount the cabinet, refer to the following steps.

1. Cut a recess hole. There should be 1.5" to 1.75" spacing from the cabinet extending from the wall. This space should be measured from either the top edge or the bottom edge to the exterior side of the sheet rock.
2. To mount the cabinet to the wall studs, insert a screw through the cabinets side mounting holes into the wall stud.
3. To reinstall the doors, first align the top hinge, and then align the lower hinge.

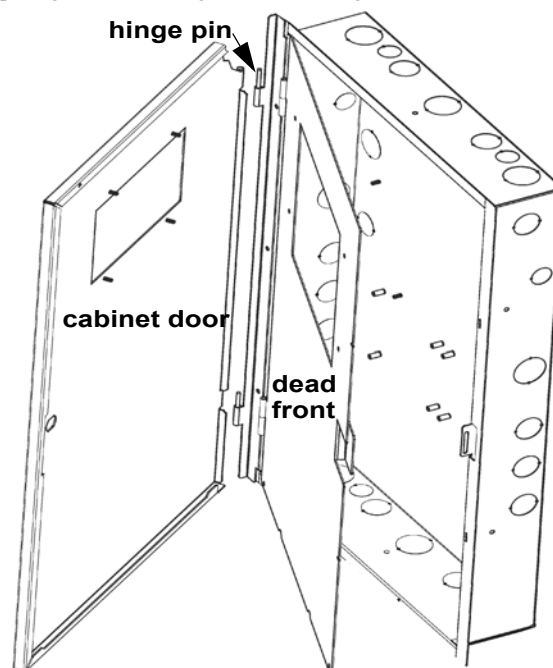


Figure 3 FIK-LOC Dead front

2.1 Board Layout

Figure 4 shows the FIC-LOC back view board layout.

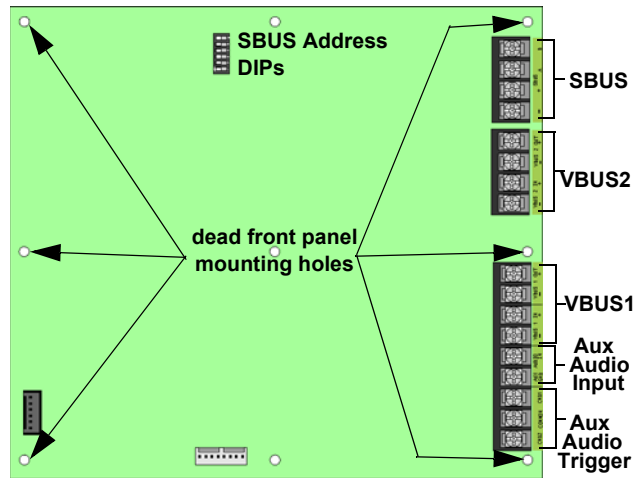


Figure 4 FIK-LOC Board-Back View

3 Wiring to an FACP

To properly wire the FIK-LOC to the FACP SBUS, refer to Figure 5.

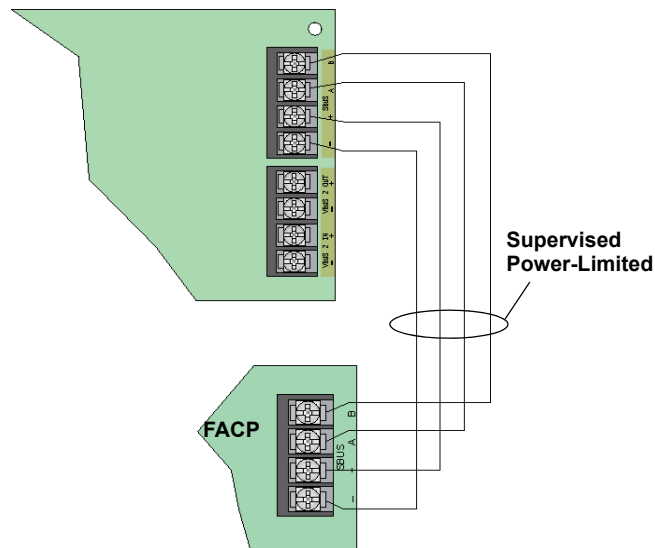


Figure 5 Wiring to the FACP

3.1 Microphone Installation

To install the microphone, refer to the following steps.

1. Clip the microphone into the microphone clip. See Figure 6.

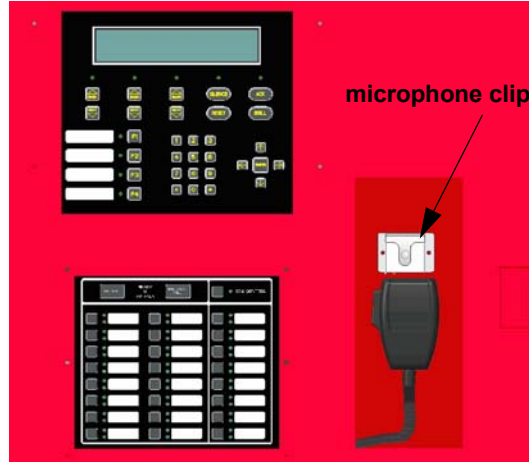


Figure 6 Microphone with the Microphone Clip

2. Insert the microphone cord through the hole at the bottom of the dead front panel. See Figure 7.

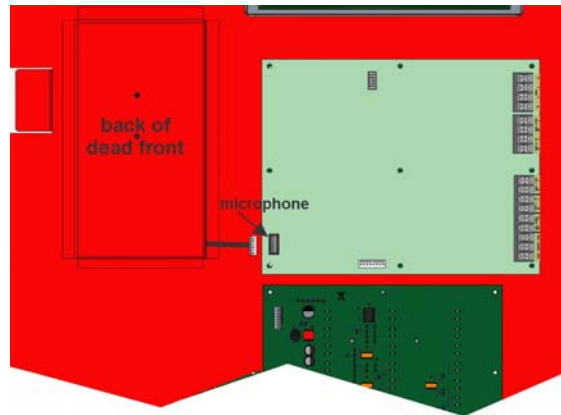


Figure 7 Microphone Cord Inserted Through the Dead Front Panel Hole

3. Attach the strain relief clip to the microphone cord. The strain relief clip should have about 2 3/4" of microphone cord through it. See Figure 8.

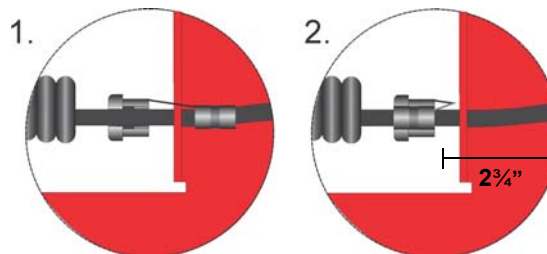


Figure 8 Strain Relief Clip Installation

4. Push the strain into the hole in the dead front panel.
5. Restore AC power and reconnect the backup batteries.

3.2 Optional Accessory

The optional accessory is the THUMBLTCH - Turn latch lock (it is not intended for UL installations).