



FIKE CORPORATION
 704 SW 10th Street
 Blue Springs, MO 64015
 www.fike.com

FIK-RA100 Product Installation Document

PN LS10205-002FK-E:A 03/08/2021 ECN: 151526

1 Description

The FIK-RA100 is an optional (4x20) Remote Annunciator as shown in Figure 1. The FIK-RA100 can be surface or flush-mounted.



Figure 1 Model FIK-RA100 Remote Annunciator

1.1 Compatibility

The FIK-RA100 is compatible with the Fike Series, Fire Alarm Control Panels (FACPs).



NOTE: For more information, see the FACP Installation Manual.

1.2 Specifications

Parameter	Value
Operating Voltage:	24 VDC
Current	Standby: 20 mA
	Alarm: 65 mA
Operating Temperature:	0° to 49° C (32° to 120° F)
Dimensions:	Overall: Flush Mount: 12¼" W x 11½" H x 7/8" D (31.1 cm x 29.2 cm x 2.2 cm) See "Flush-Mounting" on page 2 for backbox dimensions.
	Surface Mount: Including trim ring: 12¼" W x 11½" H x 3" D (31.1 cm x 29.2 cm x 7.6 cm)

Table 1 Specifications

2 Mounting the FIK-RA100

2.1 Flush-Mounting

To flush-mount the FIK-RA100, refer to the following steps

1. The backbox dimensions are 9-3/8"W x 8-3/8"H.
2. Before you complete the FIK-RA100 installation, mount the backbox using any of the mounting holes as shown in Figure 2.

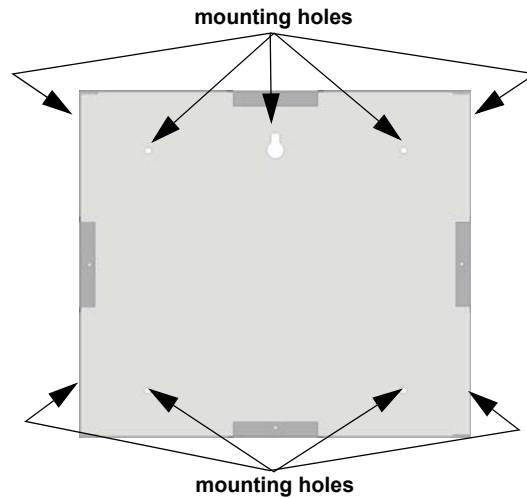


Figure 2 Backbox Mounting Holes

3. Remove the knockout holes as needed for wiring. To locate the backbox knockout locations, refer Figure 3.

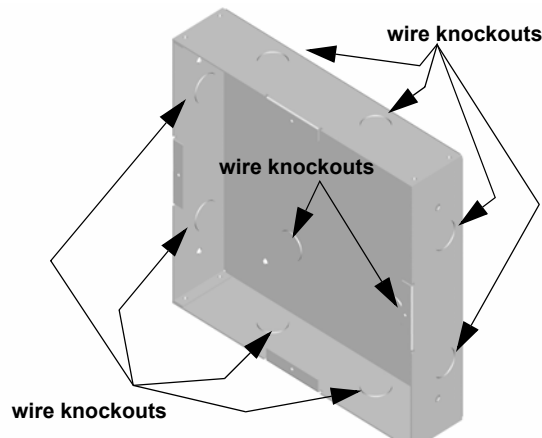


Figure 3 Backbox Knockout Locations

4. Wire the annunciator board to the main control panel. See Figure 7.
5. Use the supplied screws to attach and secure the annunciator/door assembly to the backbox as shown in Figure 4.

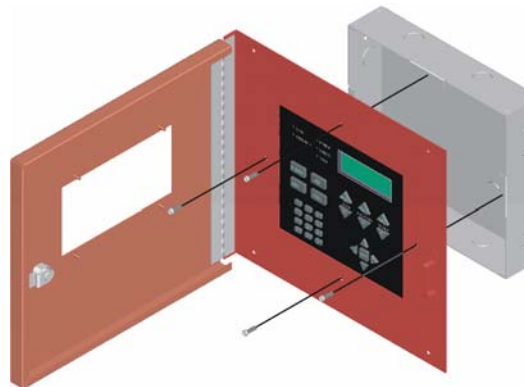


Figure 4 Attaching the Annunciator/Door Assembly to the Backbox

2.2 Surface Mounting

The FIK-RA100TR (red) Trim Ring Kits are available for use when surface mounting.

1. Remove the desired knockout. See Figure 3.
2. To properly mount the backbox, insert a single screw into the key shaped mounting hole. Do not tighten all the way. See Figure 5.
3. Place a level on top of the backbox, with the backbox level, insert the rest of the mounting screws.

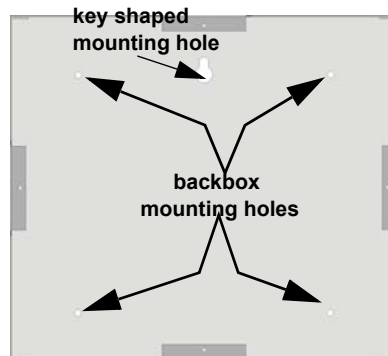


Figure 5 Backbox Surface Mount Holes

4. Connect the wires from the FIK-RA100 to the SBUS connectors on the FACP as shown in Figure 7.
5. Place the trim ring over the backbox as shown in Figure 6.

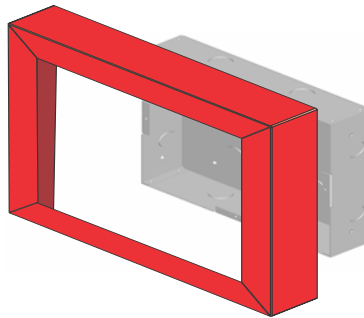


Figure 6 Trim Ring Installation

6. Attach the door assembly to the backbox using the screws provided.
7. Replace the electronic assembly in the backbox. Place the bezel over the backbox and tighten the set screws on the bezel.

3 Wiring Connections

Wire the FIK-RA100 to the FACP as shown in Figure 7.

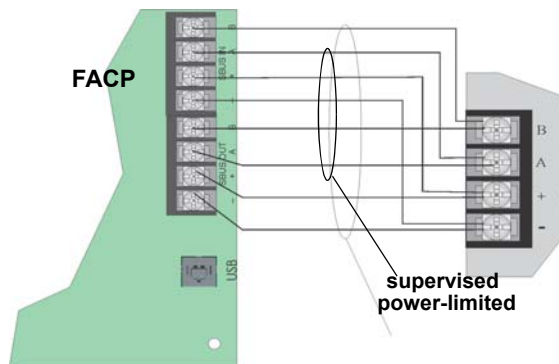


Figure 7 SBUS Connections

3.1 Installation

1. Ensure the power is turned off at the panel.
2. Mount the FIK-RA100 in the desired location.
3. Connect the FIK-RA100 to the panel (see Figure 7).
4. Use the DIP switches on the back of the FIK-RA100 to assign an ID number to the FIK-RA100. (Refer to the FACP Manuals in Section 1.1).
5. Use the JumpStart[®] programming to automatically add the new FIK-RA100 module to the System. For additional information, (Refer to the FACP Manuals in Section 1.1).