



FIKE CORPORATION
704 SW 10th Street
Blue Springs, MO 64015
www.fike.com

FIK-5824 Serial/Parallel Printer Interface Module

PN LS10254-001FK-E:A 03/03/2021 ECN: 151526

1 Description

The FIK-5824 Serial/Parallel Printer Interface Module connects a compatible fire alarm control panel (FACP) directly to a printer to print the Event History. You can also print the System Event Logs in real-time and the detector status from the addressable FACP's.



NOTE: The installation and wiring of this device must be done in accordance with the NFPA 72 and the local ordinances.

1.1 Compatibility

The FIK-5824 is for use with the compatible Fike Series, Fire Alarm Control Panels (FACP's).



NOTE: See FACP Installation Manual for more information.

1.2 Specifications

- Standby Current: 50mA
- Alarm Current: 50mA
- Operating Voltage: 24 VDC
- Max Per FACP: Addressable FACP's quantity-4, 5208 FACP quantity 1
- Ambient Temperature: 32°F to 120°F (0°C to 49°C)
- Max Wiring Distance from FACP: 6000 ft. (1829 m)
- Mounting: Surface
- Dimensions: 6"W x 7-3/4"H x 1-7/16"D
(15.2 cm W x 19.7 cm H x 3.7 cm D)
- Parallel Port: Ancillary
- Serial Port: Primary Fire Signaling

2 Mounting

The FIK-5824 is comes in a plastic enclosure which must be mounted inside the annunciator or the accessory cabinet.

To mount the FIK-5824 plastic enclosure into the appropriate cabinet, refer to the following steps.

1. Remove the FIK-5824 cover. Use a small screw driver, if necessary.
2. To remove the FIK-5824 circuit board from the base, push outward on the base snap retaining tabs and lift out the circuit board.
3. Mount the plastic base into the appropriate accessory cabinet.
4. Replace the circuit board in the plastic base.

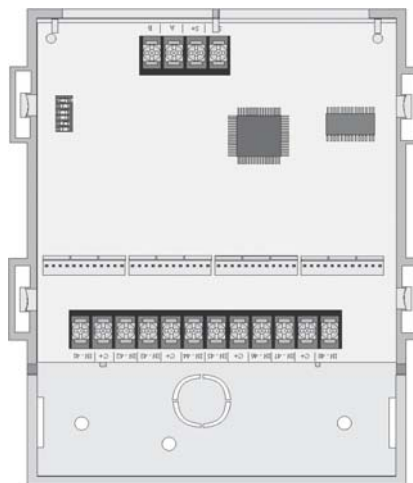


Figure 1 FIK-5824 Circuit Board and the Plastic Base



NOTE: It may be necessary to connect the wiring to the circuit board before you replace the board into the base.

3 Wiring to a FACP

To terminate the wiring, refer to Table 1 and Figure 2.

FIK-5824 Terminals	FACP SBUS Terminals
B	B
A	A
S+	+
S-	-

Table 1 FIK-5824 to FACP Connections

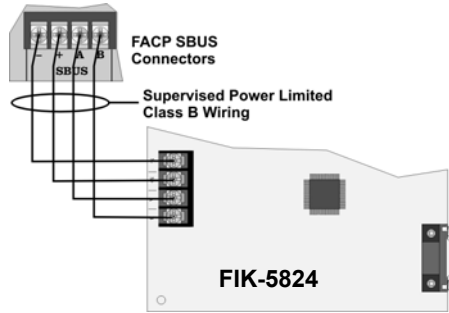
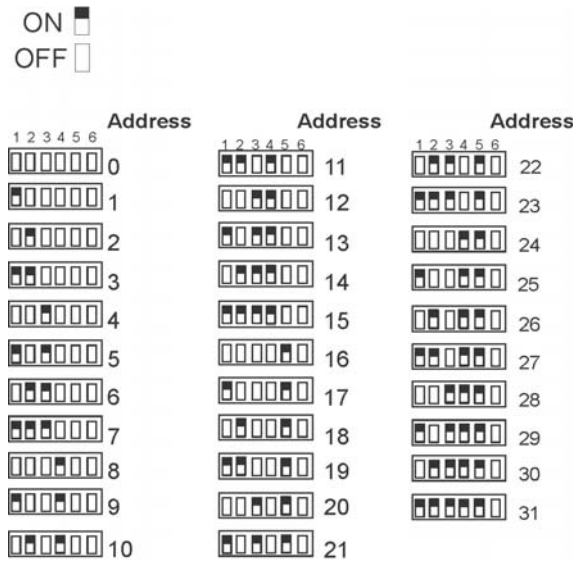


Figure 2 Wiring the FIK-5824 to the FACP

3.1 Setting DIP Switches

Each FIK-5824 connected to a compatible FACP requires an ID number. To set the ID number, use the DIP switches on the FIK-5824 circuit board. Refer to Figure 3 to see how to position the DIP switches for the desired ID number. See the FACP installation manual for specific information on device ID assignments.



*Address 0 cannot be used

Figure 3 FIK-5824 DIP Switch Settings Used to Set the ID Number

3.2 Connecting to a Printer

You need to provide either a pass-through 9-pin serial cable or a 25-pin-to-Centronics® parallel cable to connect the FIK-5824 to the printer. Using the appropriate printer cable, connect the cable to the serial or parallel port on the FIK-5824, and then connect it to the printer.