



FIKE CORPORATION
 704 SW 10th Street
 Blue Springs, MO 64015
 www.fike.com

FIK-RA2000 Remote Annunciator Product Installation Document

PN LS10261-001FK-E:A 03/03/2021 ECN: 151526

1 Description

The FIK-RA2000 is an optional (4x40) remote annunciator. Figure 1 illustrates the FIK-RA2000. The FIK-RA2000 can be surface or flush-mounted.



Figure 1 Model FIK-RA2000 Remote Annunciator

1.1 Compatibility

The FIK-RA2000 remote annunciator is compatible with the Fike Series, Fire Alarm Control Panels, (FACPs).



NOTE: For more information, see the FACP Installation Manual.

1.2 Specifications

Parameter		Value
Operating Voltage:		24VDC
Current	Standby:	25mA
	Alarm:	50mA
Operating Temperature:		0° to 49° C (32° to 120° F)
Dimensions:	Flush Mount:	Overall: 12¼" W x 11½" H x 7/8" D (31.1 cm W x 29.2 cm H x 2.2 cm D) See "Flush Mounting" on page 2 for backbox dimensions.
	Surface Mount:	Including trim ring: 12¼" W x 11½" H x 3" D (31.1 cm W x 29.2 cm H x 7.6 cm D)

2 Mounting

2.1 Flush Mounting

To flush mount the FIK-RA2000, refer to the following steps.

1. The backbox measures 9-1/4" W x 8-3/8" H. The backbox can be mounted prior to the complete installation of the FIK-RA2000 using any of the mounting holes shown in Figure 2.

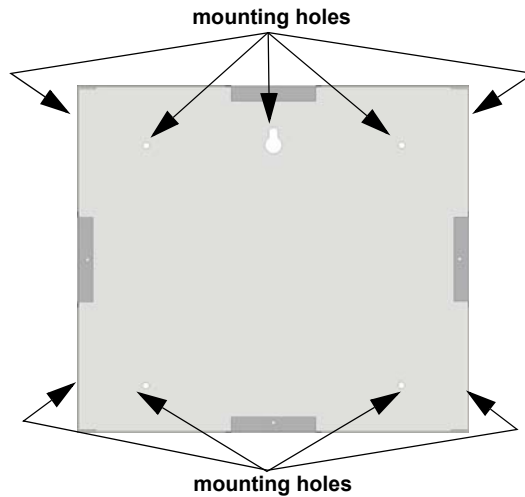


Figure 2 Backbox Mounting Holes

2. Remove the knockout holes to use to pull through the wires, as needed. See Figure 3 for the backbox knockout locations.

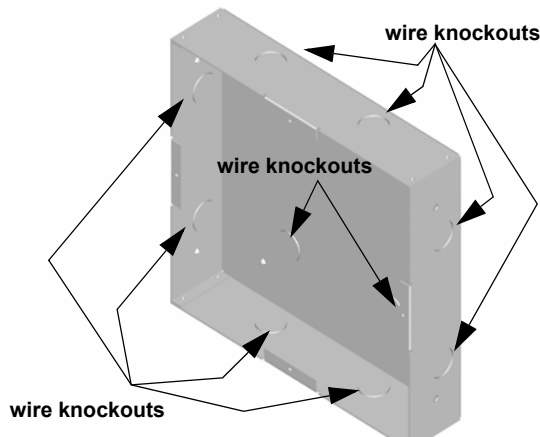


Figure 3 Backbox Knockout Locations

3. Wire the annunciator board to the main control panel. See Figure 7.
4. Use the supplied screws to attach the annunciator/door assembly to backbox as shown in Figure 4.

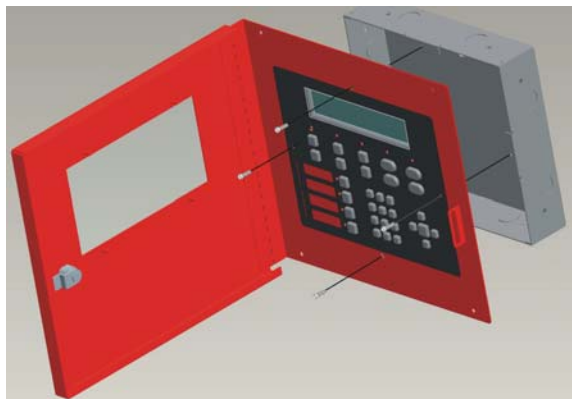


Figure 4 Attaching the Door Assembly to the Backbox

2.2 Surface Mounting

1. Remove the desired knockouts. See Figure 3.
2. To properly mount the backbox, insert a single screw into the key shaped mounting hole. Do not tighten all the way. See Figure 5. Place a level on top of the backbox, with the backbox level, insert the rest of the mounting screws.

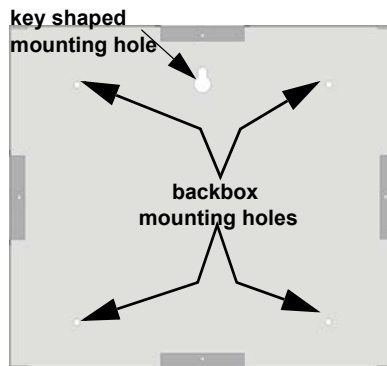


Figure 5 Backbox Surface Mount Holes

3. Connect the wires from the FIK-RA2000 to the SBUS connectors on the FACP. See Figure 7.
4. Use the FIK-RA2000TR Ring Trim Kits when you surface mount. Place the trim ring over the backbox as shown in Figure 6.

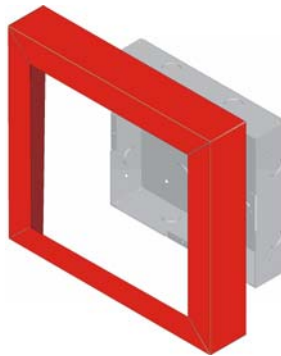


Figure 6 Trim Ring Installation

5. Attach the annunciator/door assembly to the backbox Use the screws provided. (See Figure 4).
6. Replace the electronic assembly in the backbox.

3 Wiring Connections

Wire the FIK-RA2000 to the FACP as shown in Figure 7.

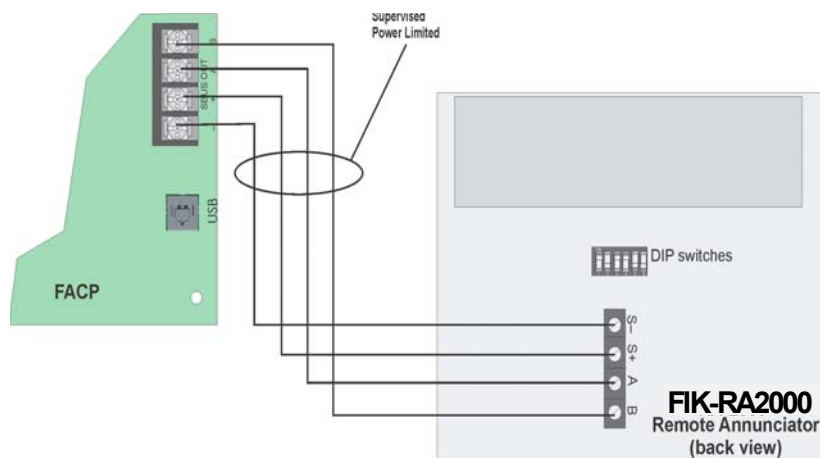


Figure 7 SBUS Connections

3.1 Installation

1. Ensure the power is turned off at the panel.
2. Mount the FIK-RA2000 in the desired location.
3. Connect the FIK-RA2000 to the panel (see Figure 7).
4. Use the DIP switches on the back of the FIK-RA2000 to assign an ID number. (See FACP manual).
5. Add the FIK-RA2000 module to the System through programming. JumpStart[®] will automatically add the module to the System.