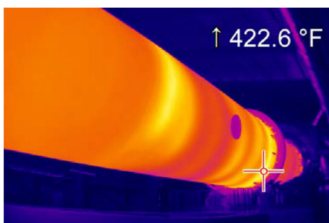
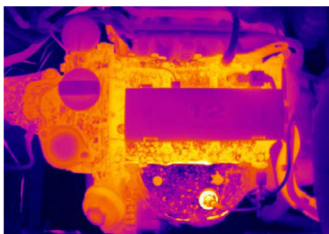
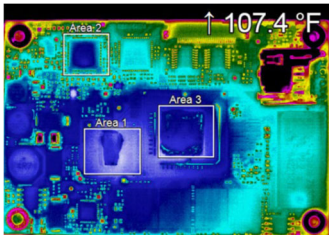


PI 640 VGA INFRARED (IR) CAMERA



Specifications

Optical resolution	640 x 480 pixels
Detector	FPA, uncooled (17 μm x 17 μm)
Spectral range	8 – 14 μm
Temperature ranges	-20°C - 100°C (-4°F - 212°F), 0°C - 250°C (32°F - 482°F), (20) 150°C - 900°C ¹⁾ ([68] 302°F - 1652°F) ¹⁾ optional temperature range 200 - 1500°C (392 to 2732 °F) ²⁾
Frame rate	32 Hz / 125 Hz @ 640 x 120 pixels
Optics (FOV)	15° x 11° FOV / f = 41.5 mm [1.6 in] or 33° x 25° FOV / f = 18.7 mm [0.7 in] or 60° x 45° FOV / f = 10.5 mm [0.4 in] or 90° x 66° FOV / f = 7.7 mm [0.3 in]
Thermal sensitivity (NETD)	75 mK
Accuracy	±2°C or ±2% (±3.6°F or ±2%), whichever is greater
PC interface	USB 2.0 / optional USB to GigE (PoE) interface
Process interface (PIF), standard	0 – 10 V input, digital input (max. 24 V), 0 – 10 V output
Process interface (PIF), industrial (optional)	2x 0-10 V input, digital input (max. 24 V), 3x 0/4-20 mA outputs, 3x relays (0-30 V/400 mA), fail-safe relay
Cable length (USB)	1 (standard) / 5 m / 10 m / 20 m (3.3 / 16.4 / 32.8 / 65.6 ft) 5 and 10 m (16.4 and 32.8 ft) also as HT cable (180 or 250°C [356 or 482°F])
Ambient temperature	0°C to 50°C (32°F to 122°F)
Storage temperature	-40 - 70°C (-40 to 140°F)
Relative humidity	20-80%, non-condensing
Enclosure (size/rating)	46 x 56 x 76 - 100 mm (1.8 x 2.2 x 3.0 - 3.9 in) (depending on lens + focus position) / IP 67 (NEMA 4), aluminum case
Weight (without mounting bracket)	269 – 340 g, (10.59 – 13.38 oz) depending on lens
Shock/Vibration ²⁾	IEC 60068-2-27 (25G and 50G) / IEC 60068-2-6 (sinus shaped) IEC 60068-2-64 (broadband noise)
Tripod mount	¼-20 UNC
Power Supply	USB powered
Scope of supply	<ul style="list-style-type: none"> • USB camera, incl. lens • USB cable (1 m [3.3 ft]) • Table tripod • PIF cable, incl. terminal block (1 m [3.3 ft]) • Software package • Hard transport case

1) Accuracy effective starting at 150°C (302°F)

2) The additional measuring range is not available for 90° optics

3) For more details see operator's manual

Features

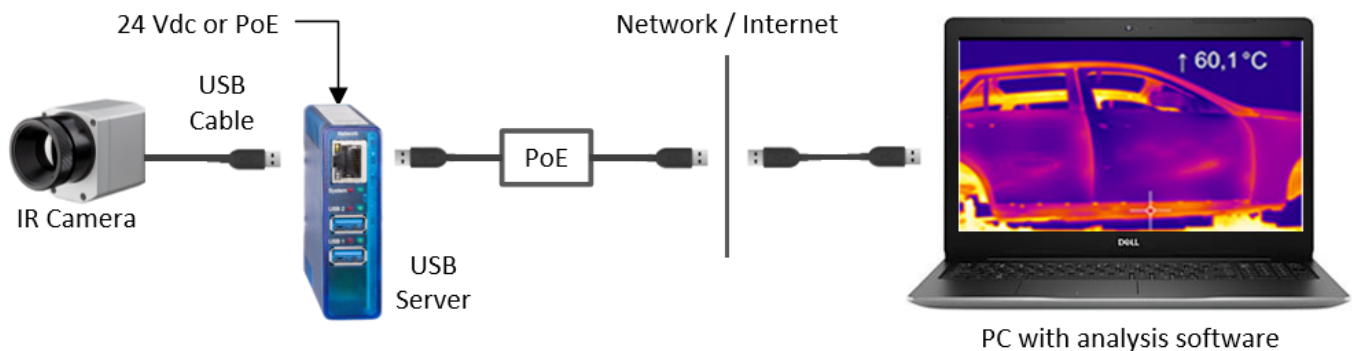
- 640 x 480 pixel
- Radiometric video recording with 32 Hz / 125 Hz in subframe mode
- Interchangeable lenses: 15°, 33°, 60°, 90°
- License-free analysis software and full SDK included
- Optional network connection via Gigabit Ethernet
- Optional industrial process interface (PIF)

This document is only intended to be a guideline and is not applicable to all situations. Information is subject to Fike's full disclaimer at <http://www.fike.com/disclaimer>.

Ordering

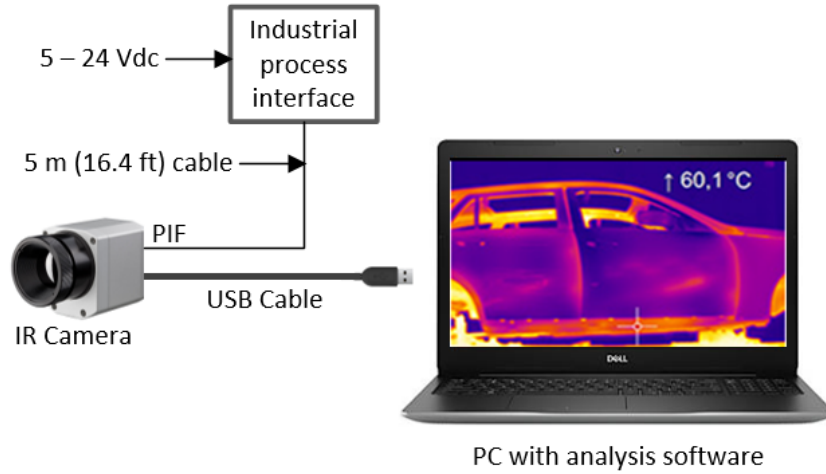
Part Number	Description
28-0012	PI 640 VGA IR camera with 15° x 11° lens / F = 41.5 mm, -20°C to 900°C
28-0013	PI 640 VGA IR camera with 33° x 25° lens / F = 18.7 mm, -20°C to 900°C
28-0014	PI 640 VGA IR camera with 60° x 45° lens / F = 10.5 mm, -20°C to 900°C
28-0015	PI 640 VGA IR camera with 90° x 64° lens / F = 7.7 mm, -20°C to 900°C
Accessories	
28-0040	4-pin USB cable, 1 m (3.3 ft), USB A connector
28-0041	4-pin USB cable, 3 m (9.9 ft), USB A connector
28-0042	4-pin USB cable, 5 m (16.4 ft), USB A connector
28-0043	4-pin USB cable, 5 m (16.4 ft), USB A connector, suitable for cable carriers and outdoor applications
28-0044	4-pin USB cable, 10 m (32.8 ft), USB A connector
28-0045	4-pin USB cable, 10 m (32.8 ft), USB A connector, suitable for cable carriers and outdoor applications
28-0046	4-pin USB cable, 20 m (65.6 ft), USB A connector
28-0047	4-pin USB cable, 20 m (65.6 ft), USB A connector, suitable for cable carriers and outdoor applications
28-0050	Protective housing, stainless steel, incl. mounting base
28-0051	Mounting base, stainless steel, adjustable in 2 axis
28-0052	Outdoor protective housing for PI camera (up to 90° FOV), for USB Server and for Industrial Process Interface with integrated heater, incl. protective window (Germanium) and air purge collar/24 VDC. Must also order 28-0054.
28-0053	Outdoor protective housing for PI camera (up to 90° FOV), for USB Server and for Industrial Process Interface with integrated heater, incl. protective window (plastic film/3 spare films) and air purge collar/24 VDC. Must also order 28-0054.
28-0054	Wall mount for outdoor protective housing
28-0057	Industrial Process Interface (PIF) for PI / Xi 400 cameras, connection box (IP65), 500 VAC RMS isolation voltage between camera and process, 0/4-20 mA analog outputs, 5 m (16.4 ft) standard cable (85°C) for connection to camera
28-0058	Industrial Process Interface (PIF) for PI / Xi 400 cameras, no connection box, 500 VAC RMS isolation voltage between camera and process, 0/4-20 mA analog outputs, 25 cm connection cable to camera, for integration into outdoor protective housing
28-0059	USB-Server Gigabit: USB-Ethernet converter for camera, incl. 24 VDC power supply
28-0061	Indoor camera mount, wall-ceiling and T-bar clip mounting, 360° rotation, adjustable, tilt, tamper resistant

Network Connection via Gigabit Ethernet

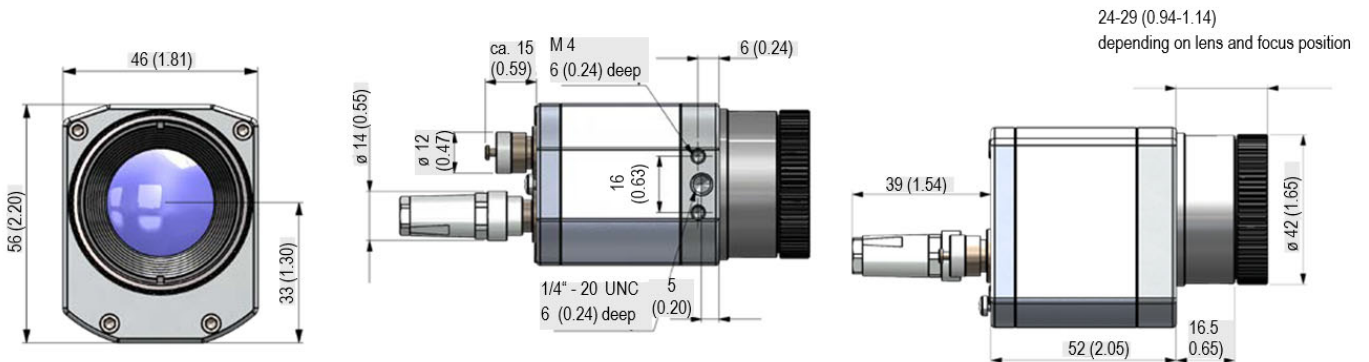


This document is only intended to be a guideline and is not applicable to all situations. Information is subject to Fike's full disclaimer at <http://www.fike.com/disclaimer>.

Industrial Process Interface



Dimensions



Dimensions in mm (in)

This document is only intended to be a guideline and is not applicable to all situations.
 Information is subject to Fike's full disclaimer at <http://www.fike.com/disclaimer>.