

XI 80 SPOT FINDER IR CAMERA



Specifications

Optical resolution	80 x 80 pixels
Detector	FPA, uncooled (34 μm x 34 μm)
Spectral range	8 – 14 μm
Temperature ranges	-20°C - 100°C (-4°F - 212°F), 0°C - 250°C (32°F - 482°F), (20 [68]) 150°C - 900°C ¹⁾ (302°F - 1652°F) ¹⁾
Frame rate	50 Hz
Optics (FOV)	12° (f = 12.7 [0.50]), 30° (f = 5.1 [0.20]), 55° (f = 3.1 [0.12]), 80° (f = 2.3 [0.09])
Focus	Manual motor focus
Optical resolution D:S	190:1 (12° optics)
Thermal sensitivity (NETD)	100 mK
Accuracy	±2°C or ±2% (±3.6°F or ±2%), whichever is greater
PC interface	USB 2.0 / Ethernet (100 Mbit/s) / PoE / RS 485 ²⁾
Direct Output/Input	1x analog output (0/4-20 mA) / 1x input (analog or digital; optically isolated)
Process interface (PIF), industrial	3x analog outputs (0/4-20 mA or 0-10 V) or alarm OUT (relais) / 3x inuts (analog or digital) / fail-safe (LED and relay); stackable up to 2 PIFs: optically isolated
Cable length (USB)	USB: 1 m (3.3 ft) (standard), 3 m (9.8 ft), 5 m (16.4 ft), 10 m (32.8 ft); Ethernet / RS 485: 100 m (328.1 ft)
Ambient temperature	0°C to 50°C (32°F to 122°F)
Enclosure (size/rating)	∅ 36 mm x 90 mm (∅ 1.42 in x 3.54 in) (M30x1 thread / IP 67 (NEMA 4)
Weight (without mounting bracket)	201 – 210 g, (7.1 – 7.4 oz) depending on lens
Shock/Vibration ³⁾	IEC 60068-2-27 (25G and 50G) / IEC 60068-2-6 (sinus shaped) / IEC 60068-2-64 (broadband noise)
Power Supply	USB / PoE / 5-30 VDC
Scope of supply	<ul style="list-style-type: none"> • IR camera • USB cable (1 m [3.3 ft]) • Cable for output/input (1 m [3.3 ft]) incl. terminal block • Mounting bracket with nut • Software package

Features

- Industrial imager with 80 x 80 pixels for exact temperature measurement of -20°C to 900°C (-4°F to 1652°F)
- Small sized rugged camera with motorized focus
- Distance-to-spot-ratio up to 190:1 with sighting capabilities
- Autonomous operation with automatic spot finder and direct analog output
- Optional stackable industrial process interface with up to 9 analog or alarm outputs
- Extensive ready-to-use package – including versatile image processing software and connection cables

1) Accuracy statement effective from 150°C (302°F)

2) Direct out- and inputs are not available while using the RS 484 interface

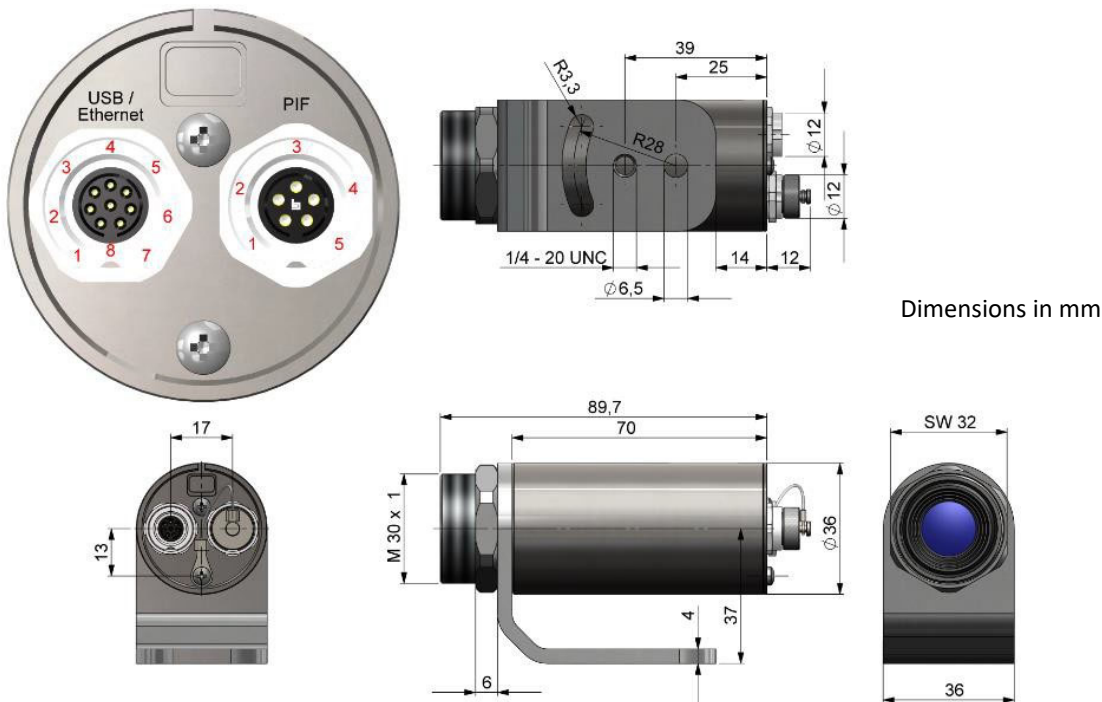
3) For more details see operator's manual

This document is only intended to be a guideline and is not applicable to all situations. Information is subject to Fike's full disclaimer at <http://www.fike.com/disclaimer>.

Ordering

Part Number	Description
28-0016	XI 80 IR camera with 12° x 12° lens / F = 12.7 mm, -20°C to 900°C
28-0017	XI 80 IR camera with 30° x 30° lens / F = 5.1 mm, -20°C to 900°C
28-0018	XI 80 IR camera with 55° x 55° lens / F = 3.1 mm, -20°C to 900°C
28-0019	XI 80 IR camera with 80° x 80° lens / F = 2.3 mm, -20°C to 900°C
Accessories	
28-0029	8-pin USB cable, 1 m (3.3 ft), USB A connector
28-0030	8-pin USB cable, 3 m (9.8 ft), USB A connector
28-0031	8-pin USB cable, 5 m (16.4 ft), USB A connector
28-0032	8-pin USB cable, 10 m (32.8 ft), USB A connector
28-0033	8-pin USB cable, 20 m (65.6 ft), USB A connector
28-0034	8-pin Ethernet cable, 1 m (3.3 ft), RJ45 connector
28-0035	8-pin Ethernet cable, 5 m (16.4 ft), RJ45 connector
28-0036	8-pin Ethernet cable, 10 m (32.8 ft), RJ45 connector
28-0037	8-pin Ethernet cable, 1 m (3.3 ft), PoE adapter
28-0038	8-pin Ethernet cable, 5 m (16.4 ft), PoE adapter
28-0039	8-pin Ethernet cable, 10 m (32.8 ft), PoE adapter
28-0048	Spare protective window (Si) for camera air purge, laminar
28-0049	Outdoor protective housing for XI cameras (up to 80° FOV), for USB Server and for Industrial Process Interface with integrated heater, incl. air purge collar/24 VDC. Must also order 28-0054.
28-0054	Wall mount for outdoor protective housing
28-0055	Industrial Process Interface (PIF) for XI IR cameras, connection box (IP65), 500 VAC RMS isolation voltage between camera and process, stackable up to 3 PIFs, 5 m (16.4 ft) standard cable (85°C) between camera and PIF.
28-0056	Industrial Process Interface (PIF) for XI IR cameras, no connection box, 500 VAC RMS isolation voltage between camera and process, 25 cm connection cable to camera, for integration into outdoor protective housing.
28-0061	Indoor camera mount, wall-ceiling and T-bar clip mounting, 360° rotation, adjustable, tilt, tamper resistant

Dimensions



Dimensions in mm

This document is only intended to be a guideline and is not applicable to all situations. Information is subject to Fike's full disclaimer at <http://www.fike.com/disclaimer>.