

OUTDOOR PROTECTIVE HOUSING



Protective Housing with Wall Mount



Protective Housing with USB-Server and PIF installed



Protective Housing Front and Rear Views

Features

- Environmental rating IP 66
- Additional air purge collar allows for a continuous operation in dusty and humid conditions
- Heating element and built-in fan enable for a 24/7 operation from -40°C (-40°F)
- Installation of USB Server Gigabit possible for integration into control systems over large outdoor distances

Specifications

Environmental	IP 66
Material	Aluminum
Weight	2 kg (4.4 lbs) 2.5 kg (5.5 lbs with wall mount)
Temperature range	-40°C...50°C (-40°F...122°F)
Heating ¹⁾	PTC heater (automatically starting at T<15°C [59°F]) / fan for homogeneous temperature distribution
Power supply	24 Vdc
Power	70 W
Protective window ²⁾	Germanium (Ge), zinc sulfide (ZnS), Borofloat or foil
Air purge collar	Integrated
Air pressure	Absolute pressure, 1.1 – 8 bar at 20 – 100 l/min
Integrable additional components	USB-Server Gigabit Industrial Process Interface (PIF)
Max. FOV	90° (HFOV)
Accessories	Optional wall mount bracket (P/N 28-0054)

¹⁾ The fan is switched parallel to the heater. When the heater starts, the fan will also run. The heating is switched on when the temperature falls below 15°C (59°F) closing temperature and switch off at 25°C (77°F), ±5°C (41°F).

²⁾ There is no protection window for the Xi version.

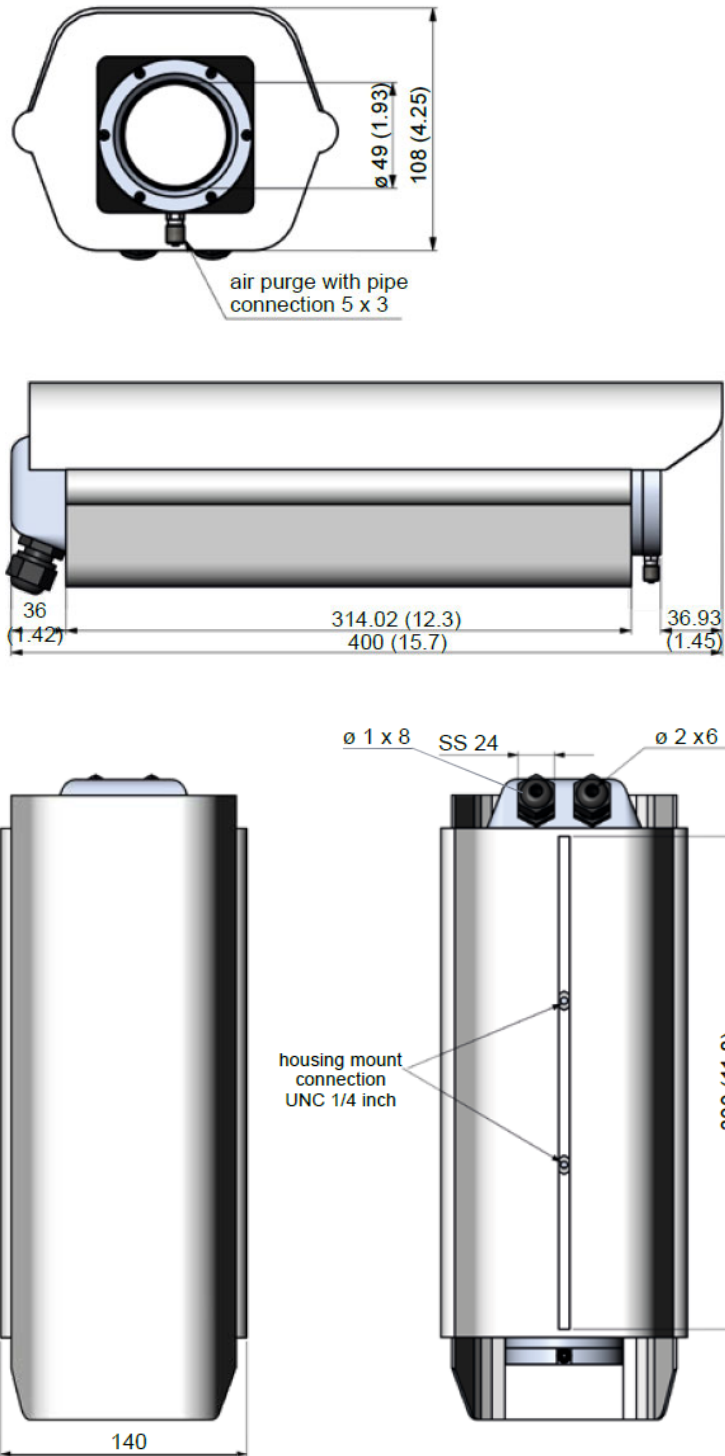
Ordering

Part Number	Description
28-0049	Outdoor protective housing for Xi cameras ¹⁾
28-0052	Outdoor protective housing for PI cameras, Germanium protective window ¹⁾
28-0053	Outdoor protective housing for PI cameras, plastic protective window ¹⁾
28-0054	Wall mount
28-0048	Spare protective window (Si) for Xi air purge
28-0050	Protective housing, stainless steel, includes 28-0051
28-0051	Mounting base, stainless steel, adjustable 2 axis

¹⁾ Must order 28-0054 for mounting

This document is only intended to be a guideline and is not applicable to all situations. Information is subject to Fike's full disclaimer at <http://www.fike.com/disclaimer>.

Dimensions



This document is only intended to be a guideline and is not applicable to all situations.
Information is subject to Fike's full disclaimer at <http://www.fike.com/disclaimer>.