

## INDUSTRIAL PROCESS INTERFACE (PIF)



### Features

- Industrial process interface with 3 analog / alarm outputs, 2 analog inputs, 1 digital input, 3 alarm relays
- 500 VAC<sub>rms</sub> isolation voltage between camera and process
- Separate fail-safe relay output
- PI / Xi hardware including all cable connections and analysis software are permanently observed during operation

### Specifications

General	
Environmental rating	IP65 (NEMA-4)
Ambient temperature	-30°C...85°C (-22°F...185°F)
Storage temperature	-30°C...85°C (-22°F...185°F)
Relative humidity	10 – 95%, non-condensing
Vibration	IEC 60068-2-6 (sinusoidal form) IEC 600682-64 (broadband noise)
Shock	IEC 60068-2-27 (25 G and 50 G)
Weight	610 g (21.5 oz) with 5 m (16.4 ft) cable
Cable length	5 m (16.4 ft) HT cable (standard), optional 10 m and 20 m (32.8 ft and 65.6 ft)
Electrical Parameters	
Power supply	5 – 24 Vdc
LED display	2 green LEDs for power and fail-safe / 2 red LEDs for alarm relay status
Isolation	500 VAC <sub>rms</sub> between camera and process
Outputs	3 analog / alarm outputs 3 alarm relays <sup>1)</sup>
Inputs	2 analog inputs 1 digital input
Bereiche	0/4-20 mA (for AO 1-3) 0-30 V / 400 mA (for alarm relays DO 1-3)

<sup>1)</sup> Active if A01, 2 or 3 are programmed as alarm output

### Ordering

Part Number	Description
28-0055	Industrial Process Interface (PIF) for Xi 80 camera, with housing, 5 m (16.4 ft) HT cable to Xi camera
28-0056	Industrial Process Interface (PIF) for Xi 80 camera, no housing, 25 cm (9.8 in) connection cable to Xi camera
28-0057	Industrial Process Interface (PIF) for PI / Xi 400 cameras, with housing, 5 m (16.4 ft) HT cable to camera
28-0058	Industrial Process Interface (PIF) for PI / Xi 400 cameras, no housing, 25 cm (9.8 in) connection cable to camera

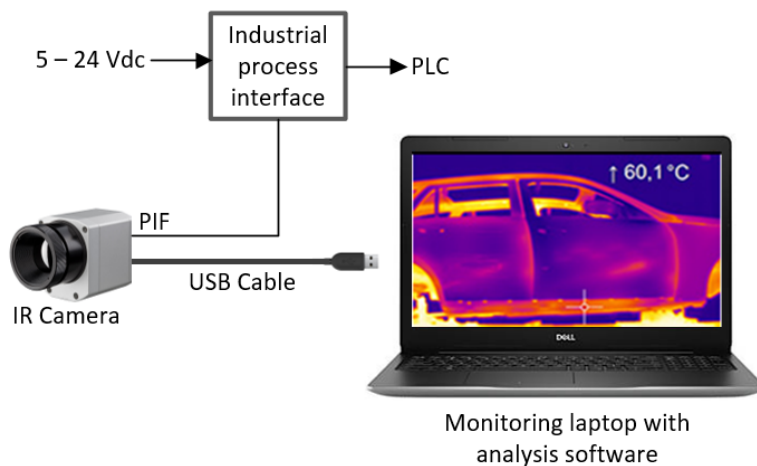
This document is only intended to be a guideline and is not applicable to all situations. Information is subject to Fike's full disclaimer at <http://www.fike.com/disclaimer>.

## Programmable Features

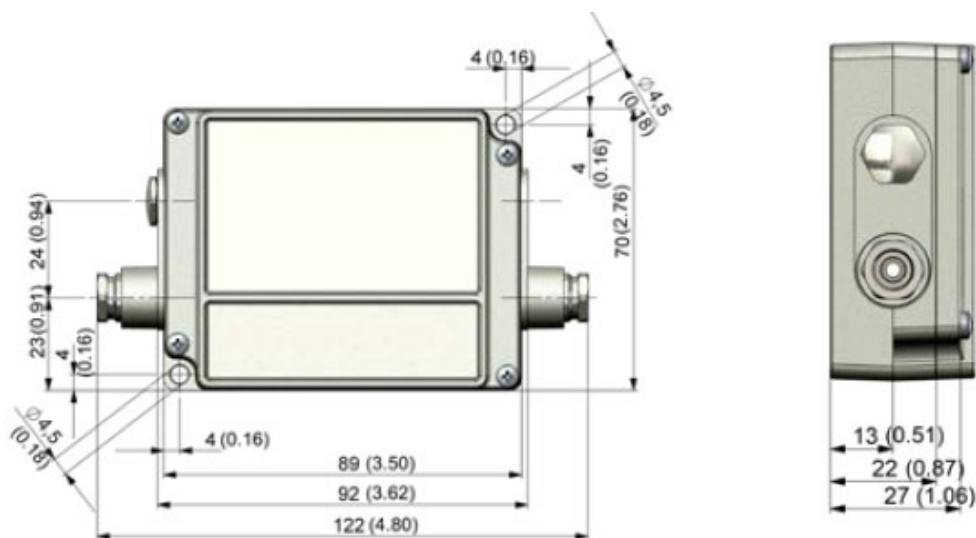
Analog inputs	<ul style="list-style-type: none"> <li>• Emmissivity setting</li> <li>• Ambient temperature compensation</li> <li>• Reference temperature</li> <li>• Uncommitted value</li> <li>• Flag control</li> <li>• Triggered snapshots, triggered recording, triggered line scan camera, triggered event grabber</li> <li>• Reset peak-/valley-hold</li> </ul>
Digital input	<ul style="list-style-type: none"> <li>• Flag control</li> <li>• Triggered snapshots, triggered recording, triggered line scan camera, triggered event grabber</li> <li>• Reset peak-/valley-hold</li> </ul>
Analog inputs	<ul style="list-style-type: none"> <li>• Main measure area</li> <li>• Measure area</li> <li>• Internal temperature</li> <li>• Flag status</li> <li>• Alarm</li> <li>• Frame sync.</li> <li>• Fail-safe</li> <li>• External communication</li> <li>• Center pixel (direct output) <sup>1)</sup></li> </ul>

<sup>1)</sup> Available only for the model PI 1M / PI 05M

## Example for a Process Interface Connected to a PLC



## Dimensions



This document is only intended to be a guideline and is not applicable to all situations. Information is subject to Fike's full disclaimer at <http://www.fike.com/disclaimer>.