

General Description

The Twinflex Soundpoint unit allows for audible indication when the system enters an alarm condition. This device is compatible with the Twinflex 2-wire range of Fire Alarm equipment and comprises a 2-wire zone-powered sounder. This device may be installed on the same zone as the Multipoint detector/sounder and associated Twinflex devices.

Before Installation

The Soundpoint must be installed in compliance with the control panel installation manual.

The installation must also meet the requirements of any local authority.

Spacing

Fike recommends spacing of sounders in accordance with any local authority.

Device Installation

Surface Mounting

Fix the surface back box to a flat vertical surface using at least two of the four mounting holes provided. The back box may be drilled to allow cable access as required. A 20mm hole is already provided at the rear. Zone cabling may be connected to the terminals in the back box.

Flush Mounting

The Soundpoint may be flush mounted utilising the optional adaptor plate, combined with any standard single gang flush mounting back box (with a minimum internal depth of 47mm).

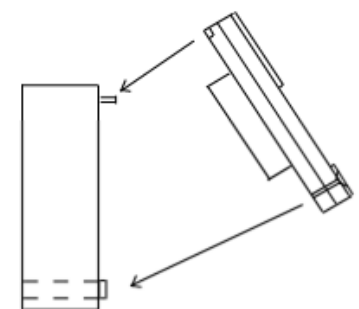
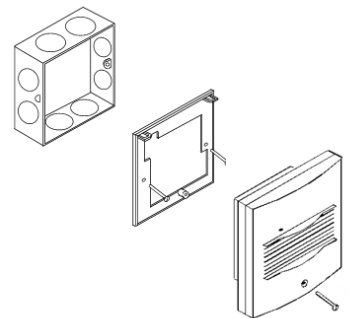
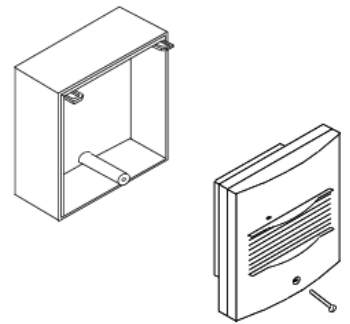
After installing the back box securely, attach the adaptor plate using the two screws provided, and terminate your cables directly into a flying terminal block.

Installation 2nd Fix

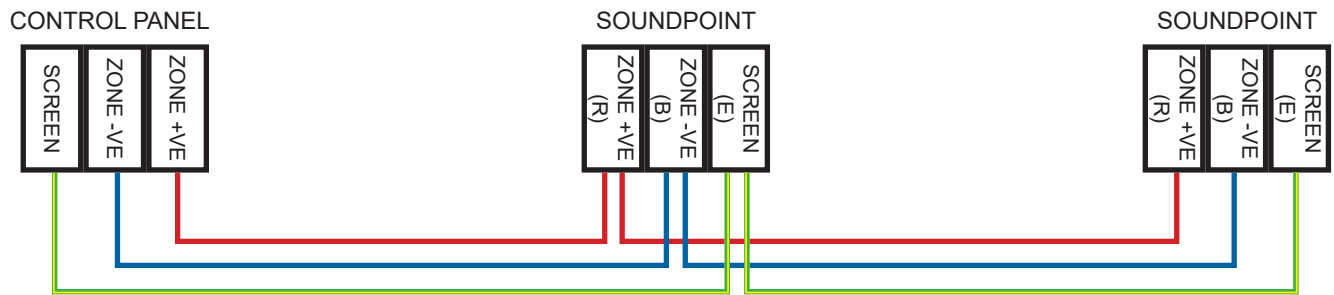
Once all testing has been carried out on the cabling and 'continuity & integrity' has been proven, the Soundpoint front may be installed.

Connect the wires from the Soundpoint front in to the appropriate terminals in the back box according to the wire colours. The Soundpoint front may then be installed by locating the upper mounting hooks into the back box and then pushing the unit gently home. The single fixing screw may then be tightened as required.

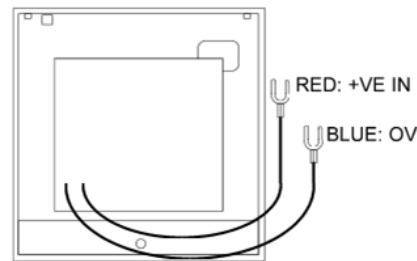
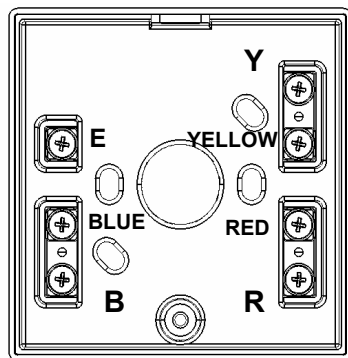
Please remember that all high voltage testing must be carried out before the installation of the Soundpoint front unit, otherwise the electronics will be damaged.



Connections



NOTE: RED = ZONE +VE BLUE = ZONE -VE



Twinflex Soundpoints can be mixed on the same zone as other types of Twinflex device (eg. Twinflex Multipoint Detectors). The above diagram shows how to make the zone positive, zone negative and screen connections between the control panel and Twinflex Soundpoints. Refer to the instructions of other Twinflex devices for their equivalent wiring/terminal labelling details.

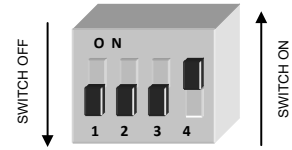
Please note that the E terminal on the Soundpoints should only be connected to the zone cable screen and NOT to the building earth. The cable screen is connected to earth at the panel end only, via the zone “SCRN” terminal (or EARTH terminal on the Twinflex V3 2/4/8 Zone panels). It is important to maintain the screen continuity in order to protect against data corruption from interference.

Remember that the device at the end of the line must have its EOL signal activated using the relevant DIL switch. Do not use a resistor or capacitor (or another manufacturer’s End of Line device) as the end of line, as this may prevent correct operation of the zone.

Device Settings

The DIL switches may be used to program the operation of the Soundpoint. They may be altered when the device is removed from the back box.

The last device on the circuit must have the EOL signal enabled (switch number 1 in the 'ON' position).



		DIL SWITCH SETTINGS			
		1	2	3	4
End of line	Enabled	ON			
	Disabled	OFF			
Sound Levels	High		ON		
	Low		OFF		
Sound Patterns	Sound OFF			ON	ON
	Dual Tone UK Evacuate – 800 & 970 Hz			ON	OFF
	Slow Whoop Up - 500 to 1200 Hz sweep up			OFF	OFF
	Dual Tone French Warble – 440 & 550 HZ			OFF	ON

Technical Data


Dimensions	Width x Height.....	89mm x 89mm	
	Flush Depth Protruding.....	34mm	
	Surface Depth.....	62mm	
Operating Temperature	-10°C to +50°C	
Voltage Ranges	DC Output from Mains Powered Panel.....	25.5 to 35V DC	
	DC Output from Battery Powered Panel.....	20 to 26V DC	
Operating Current (Typical)	Quiescent.....	185 uA	
	End of line ON if applicable..... (in addition to Quiescent)	175 uA	
	Alarm Sounding - Sounder High.....	14.5 mA	
	Alarm Sounding - Sounder Low.....	12.6 mA	
Loading Units		V3 Panel	Pro/Pro² Panel
	Max Loading Units per zone.....	27 SLU	160 DLU
	Sounder High.....	2.5 SLU	14.5 DLU
	Sounder Low.....	2.0 SLU	13.0 DLU
	Sounder High.....	85+ dB(A)	
	Sounder Low.....	65+ dB(A)	
Flammability	UL94-V2	
IP Rating	IP 21C	

Technical Support

Contact your supplier for technical support on this product.

Due to the complexity and inherent importance of a life risk type system training on this equipment is essential, and commissioning should only be carried out by competent persons. Fike cannot guarantee the operation of any equipment unless all documented instructions are complied with, without variation.

Fike's policy is one of continual improvement and the right to change a specification at any time without notice is reserved. Whilst every care has been taken to ensure that the contents of this document are correct at time of publication, Fike shall be under no liability whatsoever in respect of such contents. E&OE

	
Fike Safety Technology Ltd Unit 31, Springvale Ind. Est. Torfaen, NP44 5BD DoP-313-002x	
EN54-3: 2006 + 2019 Sounder Technical Data: See 26-0747 313-0021, 313-0022 Intended for use in the fire detection and fire alarm Systems in and around buildings	
Essential characteristics	Performance
Nominal activation conditions/Sensitivity, response delay (response time) and performance under fire conditions	Pass
Operational reliability	Pass
Durability of operational reliability and response delay, Temperature resistance	Pass
Durability of operational reliability, Vibration resistance	Pass
Durability of operational reliability, Humidity resistance	Pass
Durability of operational reliability, Corrosion resistance	Pass
Durability of operational reliability, Electrical stability	Pass
Durability of operational reliability, Resistance to ingress	Pass