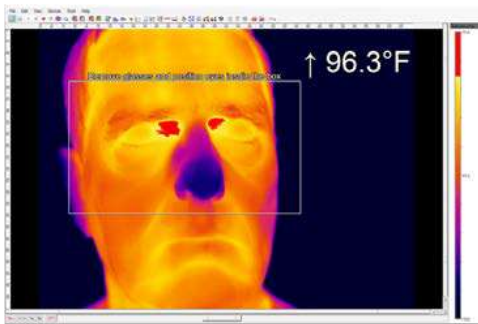


PI 400i INFRARED CAMERA FOR FEVER SCREENING APPLICATIONS



Specifications

Optical resolution	382 x 288 pixels
Detector	FPA, uncooled (17 μm x 17 μm)
Spectral range	8 – 14 μm
Temperature ranges	-20°C - 100°C (-4°F - 212°F)
Frame rate	80 Hz / switchable to 27 Hz
Optics (FOV)	18° x 14° / f = 20 mm [0.7 in] or 29° x 22° / f = 12.7 mm [0.5 in] or 53° x 38° / f = 7.7 mm [0.3 in] or 80° x 54° / f = 5.7 mm [0.2 in]
Thermal sensitivity (NETD)	40 mK mit 29° x 22° FOV / f = 0.9 40 mK mit 53° x 38° FOV / f = 0.9 40 mK mit 80° x 54° FOV / f = 0.9 0.6 K mit 18° x 14° FOV / f = 1.1
Accuracy	±2°C (±3.6°F), whichever is greater
Accuracy with BR 20AR	±0.5°C [0.9°F] (T _{amb} 18°C [64°F] to 33°C [91°F]) (T _{obj} 30°C [86°F] to 40°C [104°F])
PC interface	USB 2.0 / optional USB to GigE (PoE) interface
Process interface (PIF), standard	0 – 10 V input, digital input (max. 24 V), 0 – 10 V output
Process interface (PIF), industrial (optional)	2x 0-10 V input, digital input (max. 24 V), 3x 0/4-20 mA outputs, 3x relays (0-30 V/400 mA), fail-safe relay
Cable length (USB)	1 (standard) / 5 m / 10 m / 20 m (3.3 / 16.4 / 32.8 / 65.6 ft)
Ambient temperature	0°C to 50°C (32°F to 122°F)
Storage temperature	-40 to 70°C (-40 to 158°F)
Relative humidity	20 to 80%, non-condensing
Enclosure (size/rating)	46 x 56 x 68 - 77 mm (1.81 x 2.2 x 2.68 - 3.03 in) (depending on lens + focus position) / IP 67 (NEMA 4), aluminum case
Weight (without mounting bracket)	237 – 251 g, (8.36 – 8.85 oz) depending on lens
Shock/Vibration ¹⁾	IEC 60068-2-27 (25G and 50G) IEC 60068-2-6 (sinus shaped) IEC 60068-2-64 (broadband noise)
Power Supply	Via USB
Tripod mount	¼-20 UNC
Scope of supply	<ul style="list-style-type: none"> • USB camera, incl. lens • USB cable (1 m [3.3 ft]) • Table tripod • PIF cable, incl. terminal block (1 m [3.3 ft]) • Software package • Rugged outdoor transport case (IP67) • Certificate of calibration (reference temp: 95°F)

1) For more details see operator's manual

Features

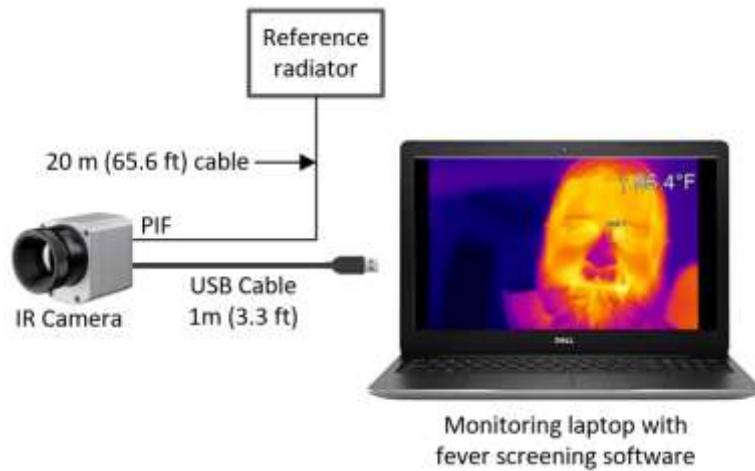
- Smallest camera in its class 46 x 56 x 68 – 77 mm (1.81 x 2.2 x 2.68 – 3.03 in)
- Interchangeable lenses
- Superb thermal sensitivity of 40 mK
- License-free analysis software and calibration certificate included
- USB cable connection to monitoring laptop

This document is only intended to be a guideline and is not applicable to all situations. Information is subject to Fike's full disclaimer at <http://www.fike.com/disclaimer>.

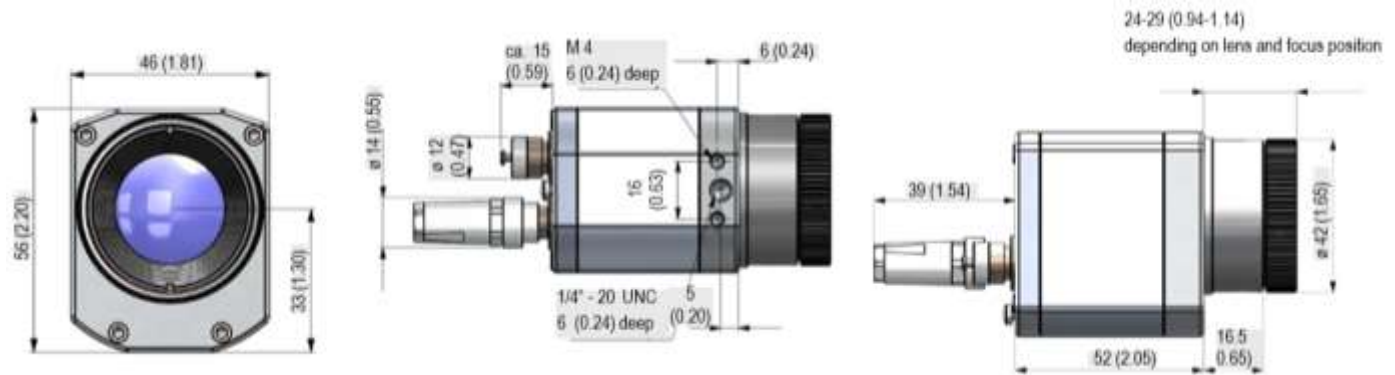
Ordering

Part Number	Description
28-0024	PI 400i IR camera, 1 m (3.3 ft) USB cable, table tripod, process interface cable incl. terminal block, software package
Accessories	
28-0059	USB-Server Gigabit: USB-Ethernet converter for camera, incl. 24 VDC power supply
28-0060	Ambient temperature reference source, 20 x 20 cm, incl. 16-bit temperature sensor with 0.1°C accuracy, 20m connection cable with PIF plug for connecting to camera
28-0061	Indoor camera mount, wall-ceiling and T-bar clip mounting, 360° rotation, adjustable, tilt, tamper resistant

USB Cable Connection



Dimensions



Dimensions in mm (in)

This document is only intended to be a guideline and is not applicable to all situations. Information is subject to Fike's full disclaimer at <http://www.fike.com/disclaimer>.