



DESCRIPTION

The 10-2756, Fire-phone Housing (See Exhibit 1) can be used in conjunction with the Digital Paging Card (P/N 10-2727) to provide firefighter's phone capability throughout the facility.

The housing consists of an 18 gauge steel enclosure with a baked on enamel finish (red or black), firefighter's phone and connection cable. The housing is designed to be mounted inside the Fire Command Center or Retrofit enclosure using hardware provided.

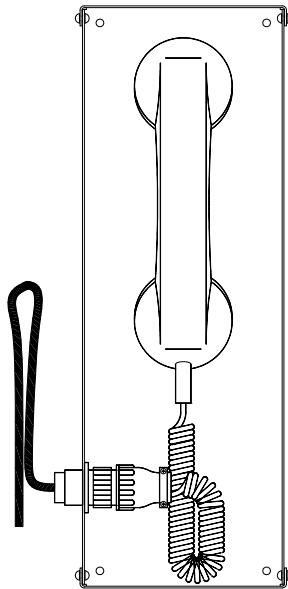


Exhibit 1: Fire-phone Housing

ORDERING OPTIONS

Part Numbers: 10-2756-**C** (**C** = Red or **Black**)

The following parts are supplied with the housing:

02-12798	Standoff Kit
02-10347	#6-32 hex standoff, 1.185" M/F (qty. 4)
02-1879	#6-32 hex nut (qty. 4)
4153-142	#6 lock washer (qty. 4)

INSTALLATION

1. If the system is already powered, disable critical functions; then power down system.
2. Locate press studs in the enclosure back-box for mounting the housing (See Exhibits 2 and 3).
3. Install the four M/F standoffs provided onto the threaded press studs (See Exhibit 4).
4. Position the fire-phone housing onto the standoffs and secure using the four washers and nuts provided (See Exhibit 4).
5. Connect cable to Digital Paging Card (See Exhibit 5).

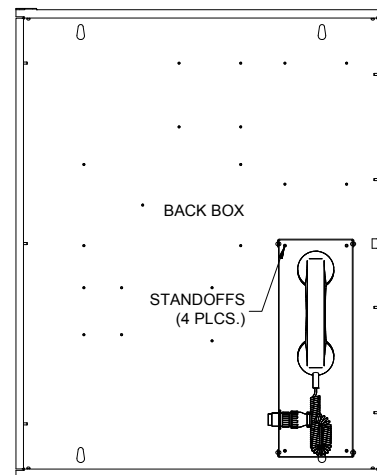


Exhibit 2: Mounting Location - Retrofit Enclosure

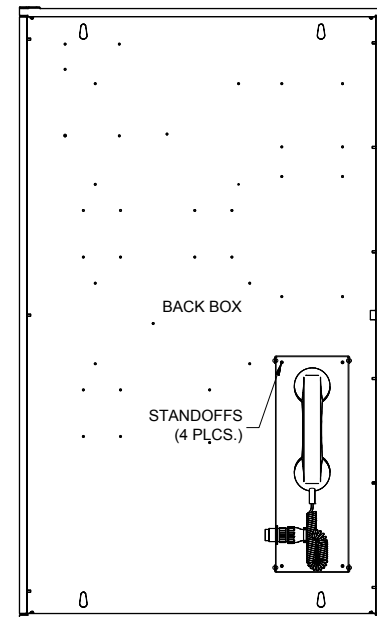


Exhibit 3: Mounting Location - FCC Enclosure

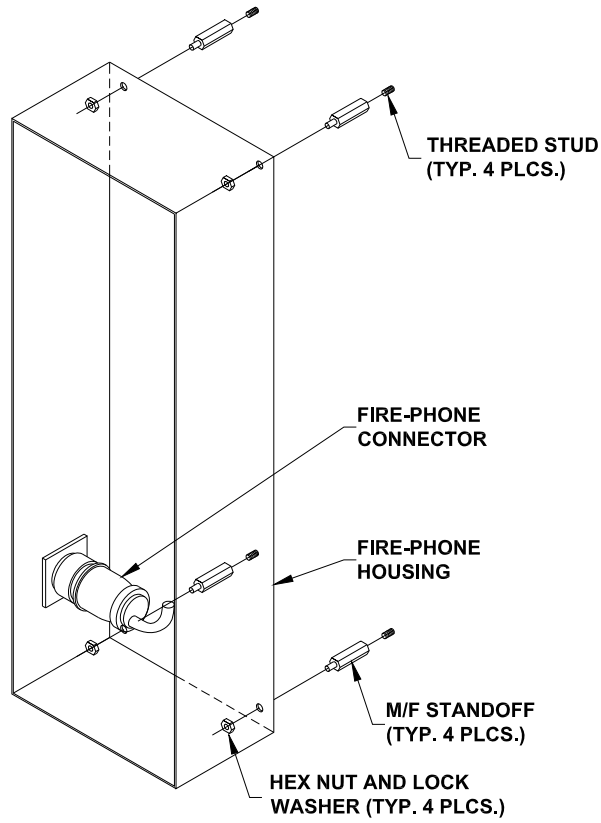


Exhibit 4: Housing Installation

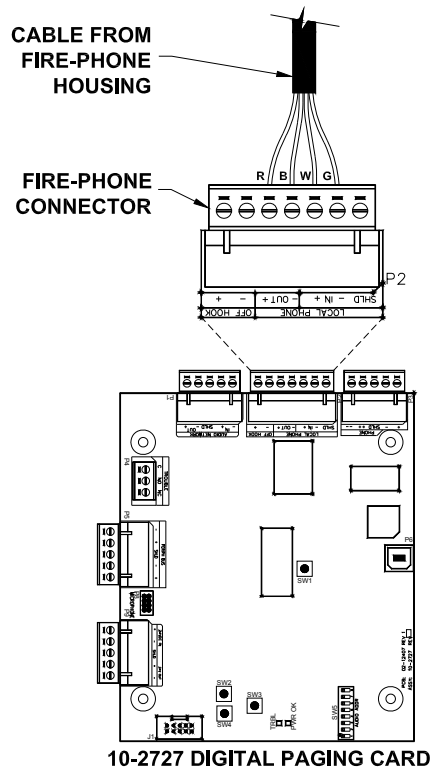


Exhibit 5: Fire-phone Connection to Digital Paging Card