

## MANUAL RELEASE/ SYSTEM ABORT SWITCH



### Features

- Compatible with Fike suppression control panels
- Stackable screw-terminal, normally open and normally closed contact blocks
- 304 stainless steel faceplate with etched text
- Surface or flush mount
- Momentary contact, push-button abort switch
- Manual, two-position keyed reset

### General

This assembly provides a means to mount manual release and abort switches to a single faceplate. The manual release switch is used to initiate release of the suppression system, while the abort switch is used to momentarily interrupt the release circuit signal when the control panel is in an alarm condition.

### Approvals

Underwriters Laboratories (UL)  
Factory Mutual (FM)  
California State Fire Marshal (CSFM)

*For exact certification listings, please reference the respective agency web site.*

### Ordering Information

Part Number	Description
10-2975	Manual Release/Abort Switch Assembly
10-2982 <sup>1</sup>	Manual Release Switch
10-2981 <sup>1</sup>	Abort Switch
10-2976 <sup>1</sup>	304 Stainless Steel Faceplate
02-16365 <sup>2,3</sup>	Contact Block, Normally Open (NO)
02-16366 <sup>3</sup>	Contact Block, Normally Closed (NC)
02-16367 <sup>2</sup>	Dummy Contact Block
02-2213 <sup>2</sup>	Security Tie (beaded cable)
02-16376 <sup>2</sup>	Safety Clip
02-2316 <sup>2,3</sup>	Mounting Screws (4 required)
02-13170 <sup>2</sup>	Key, #0
02-4780 <sup>2,3</sup>	Contact Block Adapter
02-16401 <sup>2,3</sup>	Anti-Rotation Ring
02-16402 <sup>2,3</sup>	Locking Lever Cap
02-12318	Locking Ring Wrench
02-16369 <sup>4</sup>	30mm to 22mm Trim Ring
02-2123	4-Gang Masonry Box, RACO 693

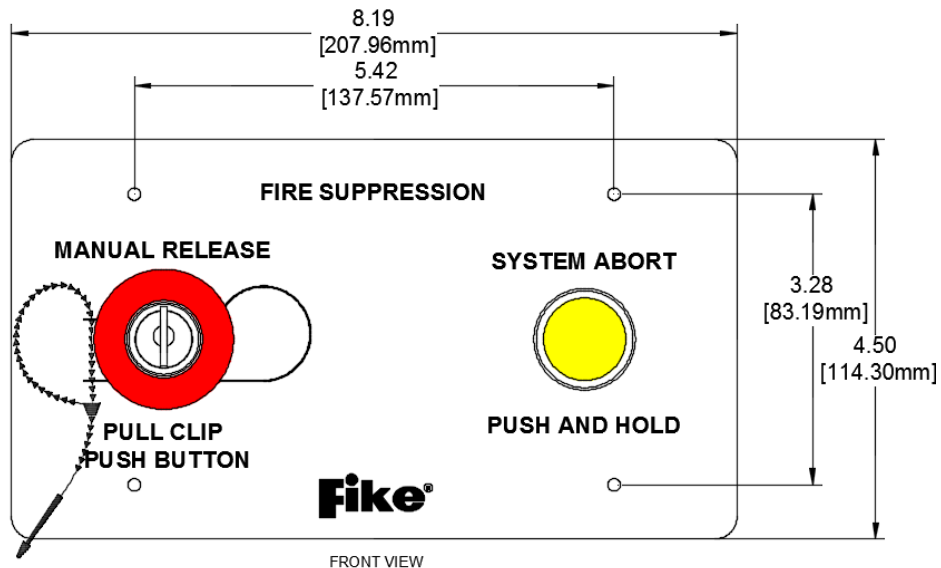
<sup>1</sup>Included in 10-2975 switch assembly.  
<sup>2</sup>Included in 10-2982 switch assembly.  
<sup>3</sup>Included in 10-2981 switch assembly.  
<sup>4</sup>Allows 22mm switch to be mounted to a 30mm switch face plate.

### Specifications

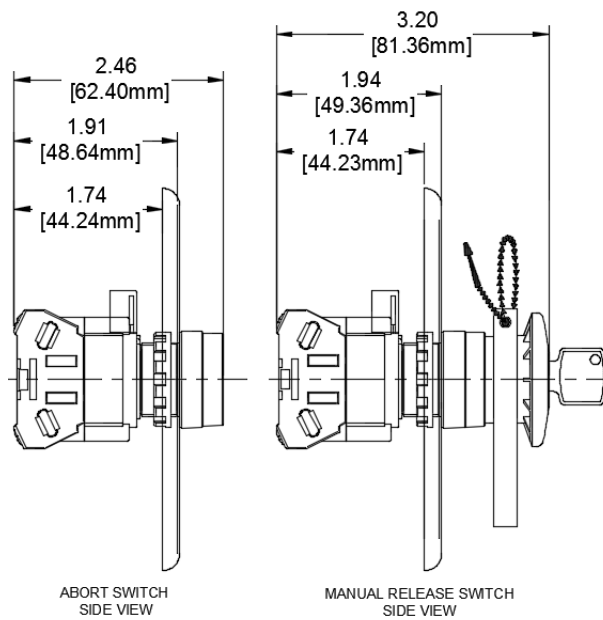
<b>Operating Temperature:</b>	0°C to 49°C (32°F to 120°F)
<b>Operating Humidity:</b>	93% RH, non-condensing
<b>Weight:</b>	0.60 lb. (272 grams)
<b>Mounting:</b>	4-gang masonry box (RACO 693) or equivalent. For indoor use only.
<b>Contact Block Rating:</b>	30VDC @ 5 AMPS
<b>Applicable Wire Size:</b>	Minimum 1 x 22 AWG, max 2 x 14 AWG or 1 x 12 AWG
<b>Compliance:</b>	Restriction of Hazardous Substances (RoHS)

This document is only intended to be a guideline and is not applicable to all situations. Information is subject to Fike's full disclaimer at <http://www.fike.com/disclaimer>.

Product Diagram/Dimensions



Switch Front View



Switch Front Side Views

This document is only intended to be a guideline and is not applicable to all situations. Information is subject to Fike's full disclaimer at <http://www.fike.com/disclaimer>.