

## MANUAL RELEASE SWITCH

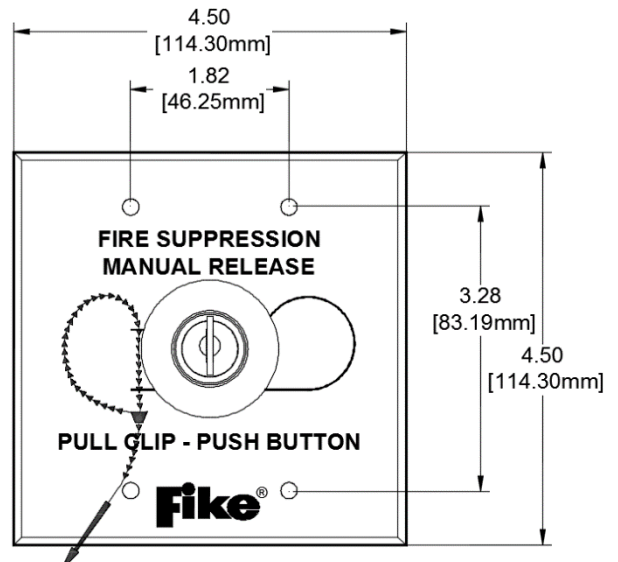
### Replacement Parts

Part Number	Description
10-2963	Manual Release Switch Assembly
10-2982 <sup>1</sup>	Manual Release Switch
10-2964 <sup>1</sup>	304 Stainless Steel Faceplate
02-16365 <sup>2</sup>	Contact Block, Normally Open (NO)
02-16367 <sup>2</sup>	Dummy Contact Block
02-2213 <sup>2</sup>	Security Tie (beaded cable)
02-16376 <sup>2</sup>	Safety Clip
02-2316 <sup>2</sup>	Mounting Screws (4 required)
02-13170 <sup>2</sup>	Key, #0
02-4780 <sup>2</sup>	Contact Block Adapter
02-16401 <sup>2</sup>	Anti-Rotation Ring
02-16402 <sup>2</sup>	Locking Lever Cap
02-12318	Locking Ring Wrench
02-16369 <sup>3</sup>	30mm to 22mm Trim Ring
02-2153	2-Gang Masonry Box, RACO 691

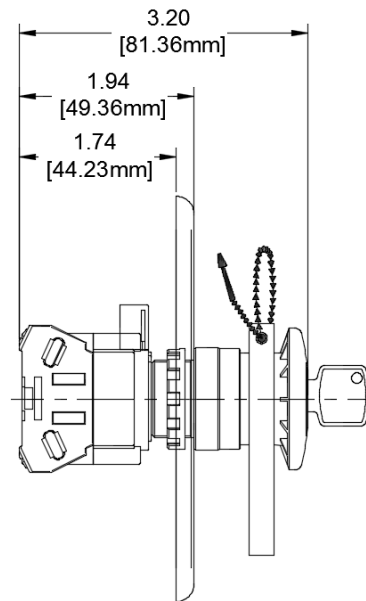
<sup>1</sup>Included in 10-2963 switch assembly.  
<sup>2</sup>Included in 10-2982 switch assembly.  
<sup>3</sup>Allows 22mm switch to be mounted to a 30mm switch face plate.

### Specifications

<b>Operating Temperature:</b>	0°C to 49°C (32°F to 120°F)
<b>Operating Humidity:</b>	93% RH, non-condensing
<b>Weight:</b>	0.35 lb. (158 grams)
<b>Mounting:</b>	2-gang masonry box (RACO 691) or equivalent. For indoor use only.
<b>Contact Block Rating:</b>	30VDC @ 5 AMPS
<b>Applicable Wire Size:</b>	Minimum 1 x 22 AWG, max 2 x 14 AWG or 1 x 12 AWG
<b>Approvals:</b>	Underwriters Laboratories (UL) Factory Mutual (FM) California State Fire Marshal (CSFM)
<b>Compliance:</b>	Restriction of Hazardous Substances (RoHS)



Switch Front View

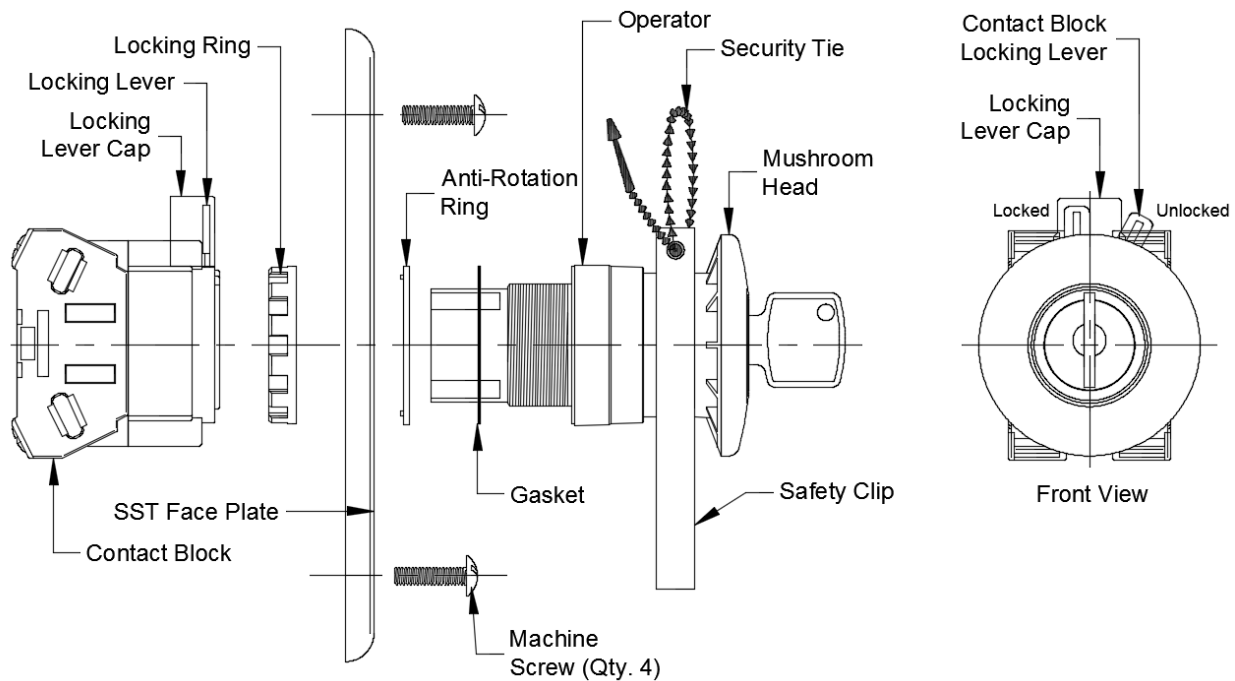


Switch Side View

## Switch Assembly

The manual release switch components are shipped disassembled and must be assembled prior to installation using the following instructions.

1. Remove the protective plastic film from the stainless steel face plate.
2. Remove the locking ring from the switch operator.
3. Verify that the TOP mark on the operator and the triangle mark (▲) on the anti-rotation ring are aligned.
4. Insert the switch operator through the hole provided in the switch face plate making sure the TOP mark on the operator is facing up and is aligned with the anti-rotation notch provided in the face plate.
5. Install the locking ring onto the switch operator. Tighten using locking ring wrench. Do not over tighten if using pliers. Maximum torque should not exceed 2N-m (20.4 Kgf cm). Do not excessively tighten the locking ring.
6. Remove the locking lever cap from the contact block locking lever.
7. Turn the locking lever to the unlocked position.
8. Mount the contact block to the switch operator.
9. Turn the locking lever to the locked position.
10. Install the locking lever cap onto the locking lever.
11. Switch assembly is complete.



Switch Assembly

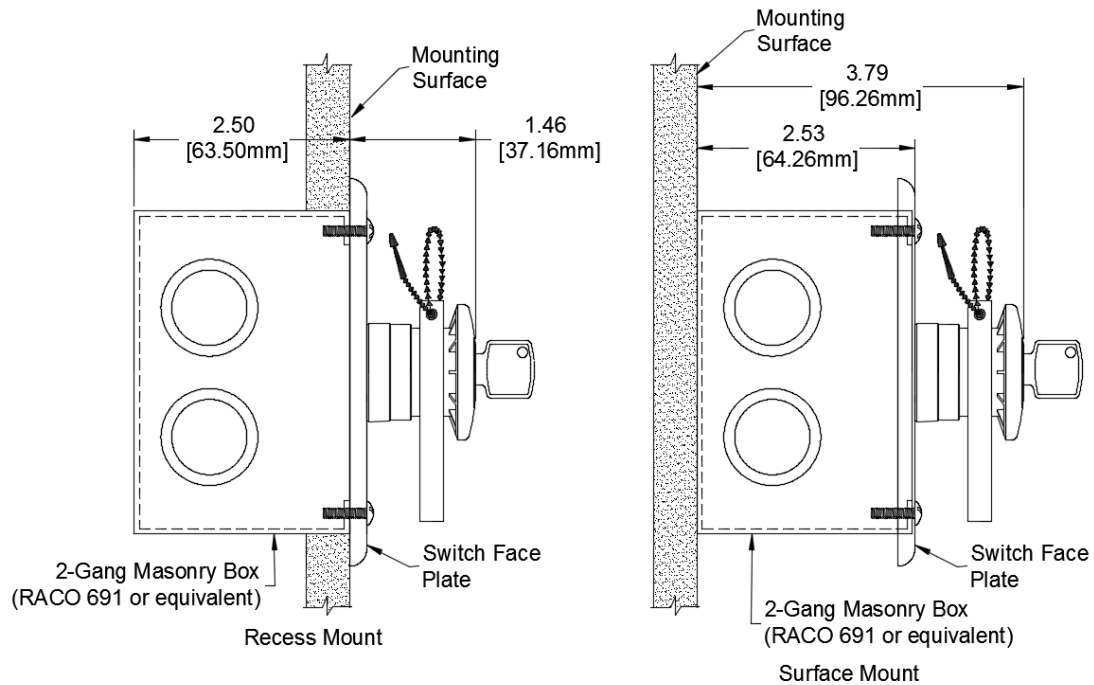
## Switch Assembly Installation

**WARNING:** If installing the switch in an operational system:

- 1) Disconnect the releasing mechanism from all suppression cylinders/containers prior to installation to prevent accidental system discharge.
- 2) Power down the system by removing all power sources feeding the control unit (AC and DC).

**NOTE:** The mounting location for the switch should be free from excessive vibration, dust, and moisture.

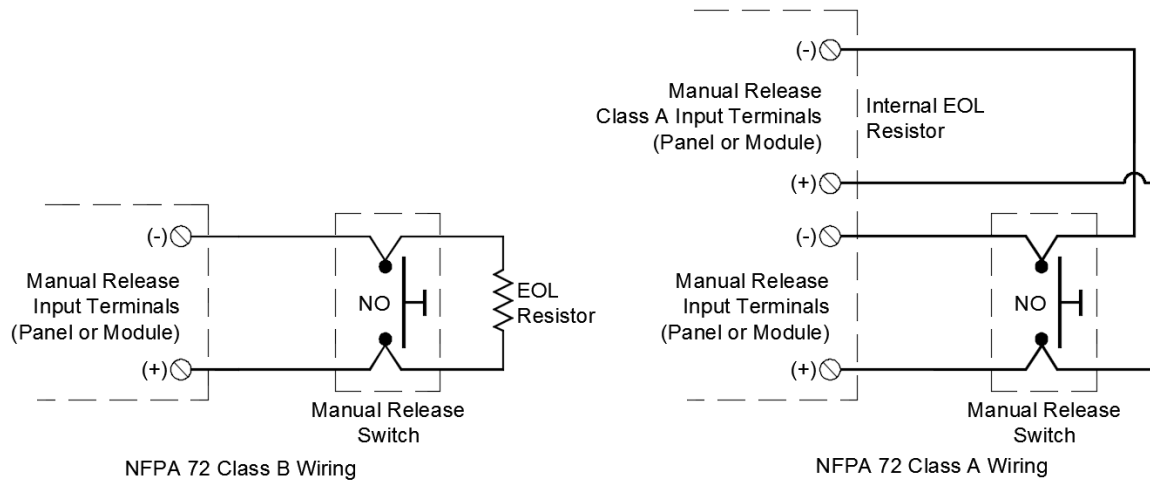
1. Install the electrical box (recess or surface mount).
2. Pull field wiring into electrical box.
3. Connect field wiring to switch contact blocks. Maximum 8mm (0.31 in.) recommended wire insulation stripping length.
4. Secure stainless steel faceplate to mounting box with supplied machine screws.
5. Reapply power to the system and test switch operation prior to reconnecting releasing mechanism to all suppression cylinders/containers.
6. Install the safety clip to the back of the switch mushroom head.
7. Install beaded security tie through holes provided in safety clip. Pull tight making sure the safety clip is held firmly in place preventing the red mushroom head from being pressed without removal of the safety clip.
8. Store switch keys in a secure location.



**Switch Mounting**

## Switch Wiring

**Note:** Incoming and outgoing conductors must be separated at all terminal connections.



See Control Unit Manual for Specific Wiring Requirements.