

KEYED INPUT SWITCHES



Features

- Compatible with Fike suppression control panels
- Stackable, screw terminal contact blocks
- 304 stainless steel faceplate with etched text
- Surface or flush mountable
- Keyed, two-position switch

General

Enables active function with key turn. Returns to normal function when key is released.

Approvals

Underwriters Laboratories (UL)
 Factory Mutual (FM)
 California State Fire Marshal (CSFM)

For exact certification listings, please reference the respective agency web site.

Ordering Information

Part Number	Description
10-2969	Spring Return Switch Assembly
10-2973	Maintained Switch Assembly
10-2971 ²	Spring Return Switch
10-2972 ¹	Maintained Switch
10-2974 ^{1 & 2}	Stainless Steel Faceplate
02-16365 ³	Contact Block, Normally Open (NO)
02-16366 ³	Contact Block, Normally Closed (NC)
02-2316 ³	Mounting Screws (4 required)
02-13170 ³	Key, #0
02-4780 ³	Contact Block Adapter
02-16401 ³	Anti-Rotation Ring
02-16402 ³	Locking Lever Cap
02-12318	Locking Ring Wrench
02-16369 ⁴	30mm to 22mm Trim Ring
02-2153	2-Gang Masonry Box, RACO 691

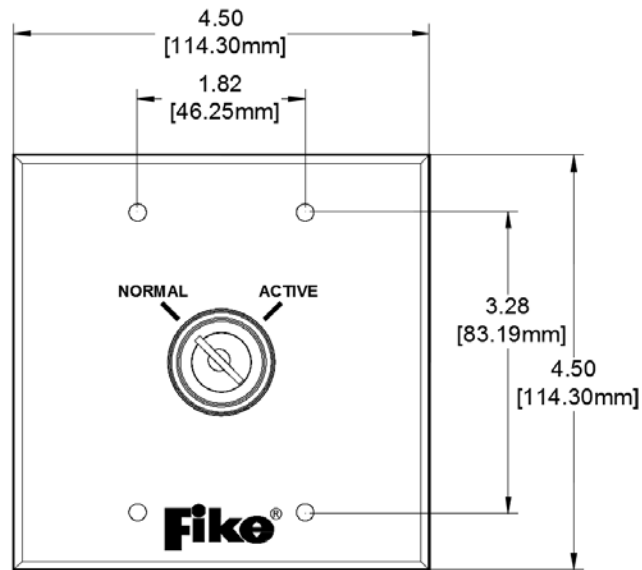
¹Included in 10-2973 switch assembly.
²Included in 10-2969 switch assembly.
³Included in 10-2971 and 10-2972 switch assemblies.
⁴Allows 22mm switch to be mounted to a 30mm switch face plate.

Specifications

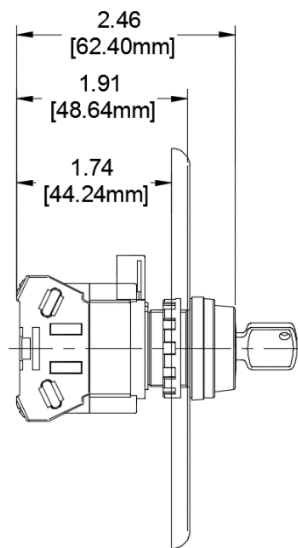
Operating Temperature:	0°C to 49°C (32°F to 120°F)
Operating Humidity:	93% RH, non-condensing
Weight:	0.35 lb. (158 grams)
Mounting:	2-gang masonry box (RACO 691) or equivalent. For indoor use only.
Contact Block Rating:	30VDC @ 5 AMPS
Applicable Wire Size:	Minimum 1 x 22 AWG, max 2 x 14 AWG or 1 x 12 AWG
Compliance:	Restriction of Hazardous Substances (RoHS)

This document is only intended to be a guideline and is not applicable to all situations. Information is subject to Fike's full disclaimer at <http://www.fike.com/disclaimer>.

Product Diagram/Dimensions



Switch Front View



Switch Side View

This document is only intended to be a guideline and is not applicable to all situations.
Information is subject to Fike's full disclaimer at <http://www.fike.com/disclaimer>.