

DIGITAL ALARM COMMUNICATOR TRANSMITTER (DACT) MODULE KIT (P/N 10-2528)

Important Notices Before You Begin

1. Please read the instructions carefully! Fike products are used for the protection of life and critical assets and must be installed and tested as described in this document.
2. Do not use Fike products for any application for which they are not intended. Fike shall not be in any way liable for any damages or losses incurred by you or third parties arising from the use of any Fike product for which the product is not intended by Fike.
3. Do not use Fike products described in this document outside of the ranges specified by Fike. Fike shall have no liability for malfunctions or damages arising out of the use of Fike products beyond such specified ranges.
4. Fike reserves the right to change product designs or specifications without obligation and further notice.
5. This document is subject to the Fike full disclaimer at <http://www.fike.com/disclaimer>.
6. Visit www.fike.com to contact us or to download the latest version of this document.

Important Safety Notes

The following formats are used for safety notes in these instructions.

! WARNING !

This type of note is used to indicate the presence of a hazard that will or may cause personal injury or death or loss of service if safety instructions are not followed or if the hazard is not avoided.

! CAUTION !

This type of note indicates the presence of a hazard that will or may cause damage to the equipment if safety instructions are not followed or if the hazard is not avoided.

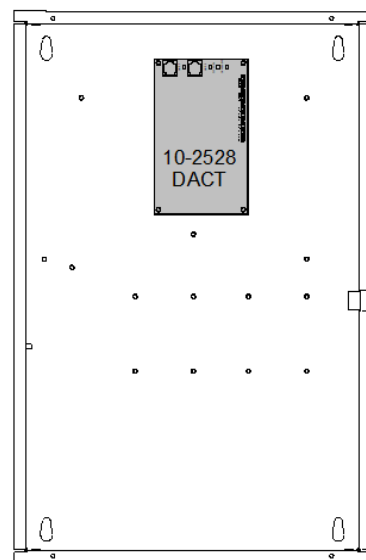
NOTE

Indicates the message is important, but not of a warning or caution category. These notes can be of great benefit to the user and should be read.

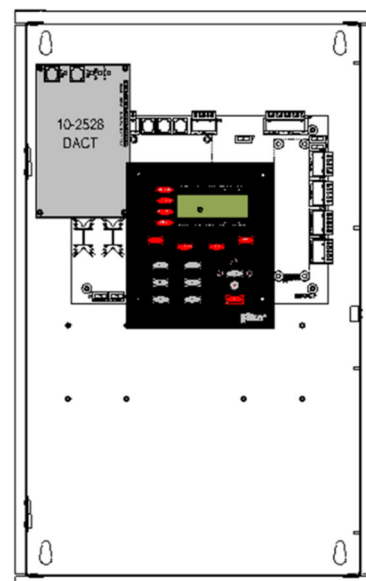
Mounting Location

The DACT mounting location varies depending upon the control panel enclosure it is to be installed into. The images below show the appropriate DACT mounting locations for each compatible control panel enclosure.

IMPORTANT! When installing the DACT in the CyberCat™ 50 or Cheetah™ Xi 50 enclosures, the DACT must be installed before the control board.



DACT Mounting for CyberCat™ 50 or Cheetah™ Xi 50



DACT Mounting for CyberCat™ 254/1016 or Cheetah™ Xi

Installation

Installation and wiring should be performed by qualified personnel only. Equipment damage and/or malfunction may result from improper installation. Disable all critical system functions and remove all power from the system until the installation is complete and ready for testing.



The DACT circuit board contains static-sensitive components. Handle the electronics by the edges only and avoid touching the integrated components. Keep electronics in the protective static bag it was shipped in until time for installation. Always ground yourself with a proper wrist strap before handling the module(s). If the installer is properly grounded at all times, damage due to static discharge will not occur. If the module requires repair or return to Fike, it must be shipped in an anti-static bag.

The DACT is installed onto the threaded press studs provided in the back of the enclosure using the following mounting hardware supplied with the card.

Standoff Hardware Kit, P/N 02-12037, includes:	
02-11751	6-32 hex. Standoff, 2" long, F/F (CyberCat™ 254/1016 and Cheetah™ Xi)
02-11833	6-32 hex. Standoff, 5/8" long, F/F (CyberCat™ 50 and Cheetah™ Xi 50)
02-1589	6-32 x .375 Phillips pan head screw, zinc plated (CyberCat™ 50 and Cheetah™ Xi 50)
02-16870	6-32 hex. Standoff 3/8" long, M/F (CyberCat™ 254/1016 and Cheetah™ Xi)

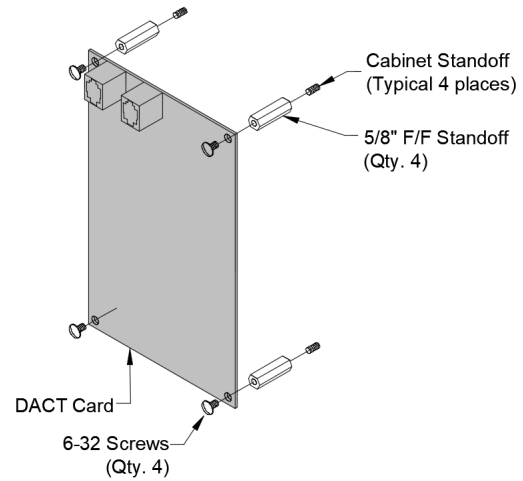
To install the DACT into the CyberCat™ 50 or Cheetah™ Xi 50 system enclosures:

1. Carefully unpack the DACT and check for shipping damage.
2. Secure the four .625" F/F standoffs (P/N 02-11833) onto the threaded press studs on the back of the enclosure, as shown in the image below.

NOTE

For the CyberCat™ 50 or Cheetah™ Xi 50, install the DACT, then install the system control board.

3. Install the DACT onto the standoffs and secure it in place by threading the four 6-32" screws (P/N 02-1589) through the board and into the standoffs.



DACT Mounting for CyberCat™ 50 or Cheetah™ Xi 50

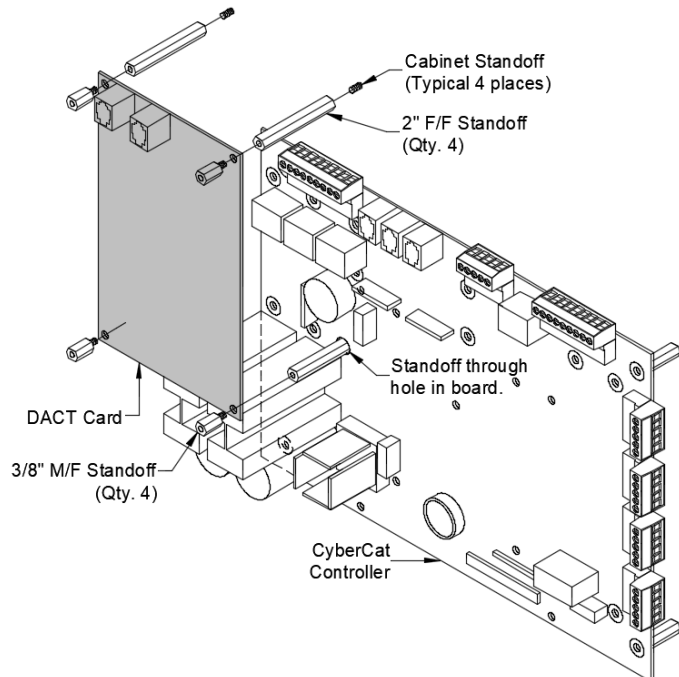
To install the DACT into the CyberCat™ 254/1016 or Cheetah™ Xi system enclosures:

1. Carefully unpack the DACT and check for shipping damage.
2. Secure the four 2" F/F standoffs (P/N 02-11751) onto the threaded press studs on the back of the enclosure, as shown at right. The lower-right standoff must be installed through the mounting hole provided in the system control board.

NOTE

For the CyberCat™ 254/1016 and Cheetah™ Xi, install the system control board, then install the DACT.

3. Install the DACT onto the standoffs and secure it in place by threading the four 3/8" standoffs through the DACT board and into the 2" standoffs.



DACT Mounting for CyberCat™ 254/1016 or Cheetah™ Xi

DACT Wiring: CyberCat™ 254/1016 and Cheetah™ Xi

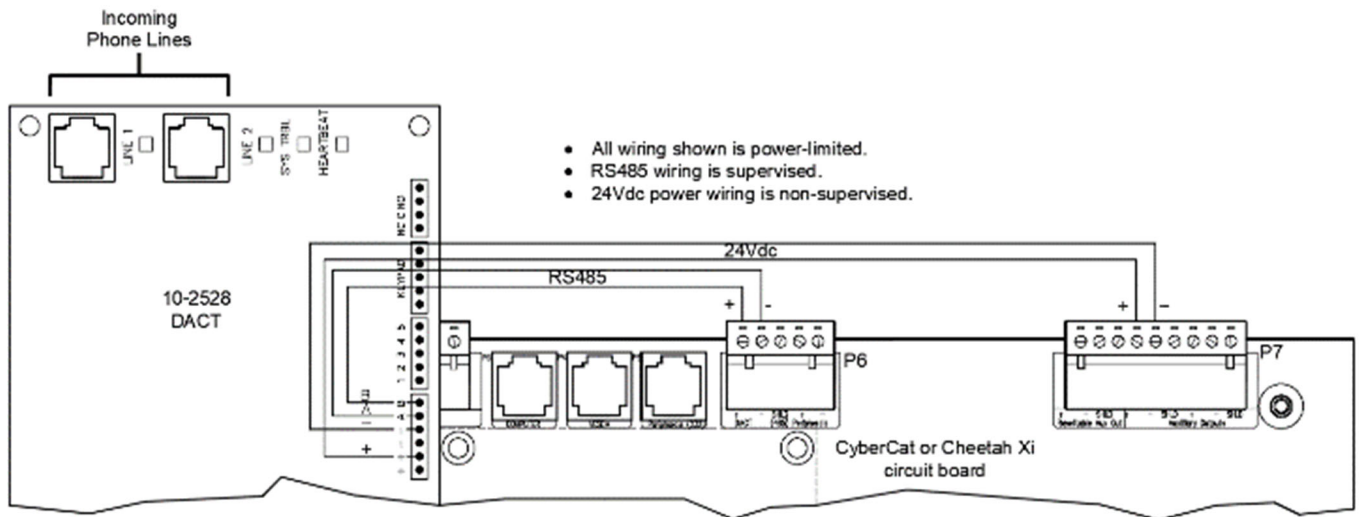
The wiring diagram below shows how to electrically connect the DACT into the CyberCat™ and Cheetah™ Xi panels.

1. Install wiring to connect 24VDC continuous power from the system controller (Terminal P7, Aux. Output, +/-) to the DACT, as shown below.
2. Apply 24VDC power to the DACT and program using the 10-2477 five-zone hand-held DACT programmer.

3. Install RS485 wiring from the system controller (terminal P6) to the DACT (- to A; + to B), as shown below.
4. Connect incoming phone lines and test for proper operation.

NOTE

When the DACT module is installed, the incoming phone lines (power-limited) must be routed separately from any non-power-limited relay connections to the system controller.



DACT Wiring: CyberCat™ 254/1016 and Cheetah Xi™

DACT Wiring: CyberCat™ 50 and Cheetah™ Xi 50

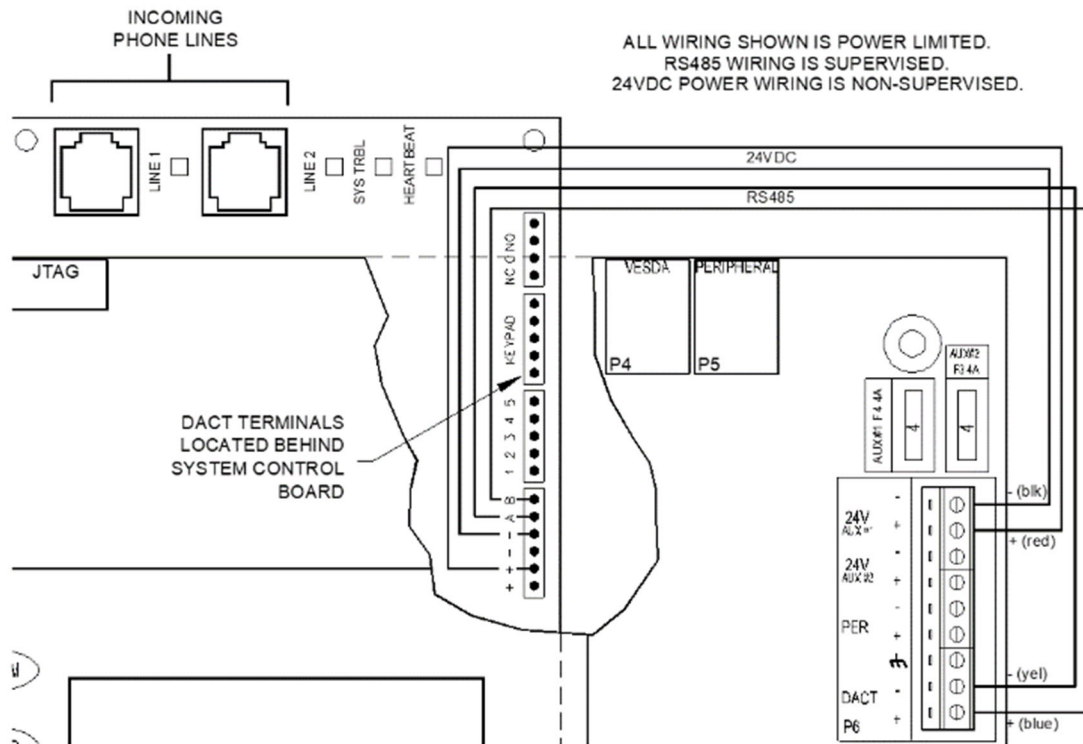
The wiring diagram below shows how to electrically connect the DACT into the CyberCat™ 50 and Cheetah™ Xi 50:

1. Install wiring to connect 24VDC continuous power from the system controller (terminal P6, Aux #1, +/-) to the DACT as shown below.
2. Apply 24VDC power to the DACT and program using the 10-2477 five-zone hand-held DACT programmer.

3. Install RS485 wiring from the system controller (terminal P6) to the DACT (- to A; + to B), as shown below.
4. Connect incoming phone lines and test for proper operation.

NOTE

When the DACT module is installed, the incoming phone lines (power-limited) must be routed separately from any non-power-limited relay connections to the system controller.



DACT Wiring: CyberCat™ 50 and Cheetah™ Xi 50

DACT Programming

When using the intelligent RS485 connection, the DACT must be added to the control panel's peripheral device list (address 2–32) and selected for supervision. This allows trouble with the DACT to be reported to the Fike control system and transmitted to the receiving station on one of the phone lines.

DACT operational functions must be programmed into the device using the 10-2477 (Bosch FMR-DACT-KEYPAD) five-zone, hand-held programmer, as shown below.



DACT Programmer

Refer to Bosch document *FPT-DACT Operation and Installation Guide* for dialer-specific options and programming instructions. The following options must be configured into the DACT for proper operation with Fike control systems:

- System Date and Time
- Account Numbers
- Phone Numbers
- Phone Control (reporting format)
- Report Steering (phone two as backup type)
- Supervision
 - Bus Address = 133 (do not change)
 - Supervise Bus = Yes (do not change)

NOTE

If using the DACT's optional programmable point inputs for communication to the receiving station, refer to Bosh document *FPT-DACT Operation and Installation Guide* for writing and programming instructions.