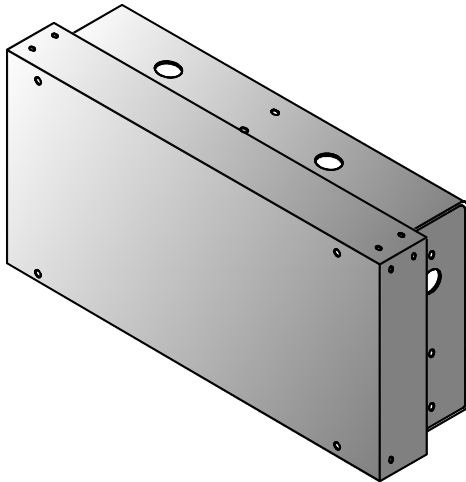




## DESCRIPTION

The battery enclosure is designed for applications where the required battery backup for the system exceeds the maximum battery size that will fit within the standard control panel enclosure. The 75 AH battery enclosure provides space for up to two 75 AH batteries. The enclosure is made of 14 gauge steel with a red or gray textured enamel finish. The enclosure is designed to be surface mounted and is equipped with numerous conduit knockouts on top and sides of the enclosure to allow easy access to the cabinet interior during system installation. A solid lid is provided with the enclosure that conceals the batteries after installation.



**75 AH Battery Enclosure**

## SPECIFICATIONS

Part Number: 10-2236-**C**, 75 AH battery enclosure

**C** = designates color option (red or gray)

Weight<sup>1</sup>: 47 lbs. (21.3 kg) empty

Finish: Red or gray textured enamel

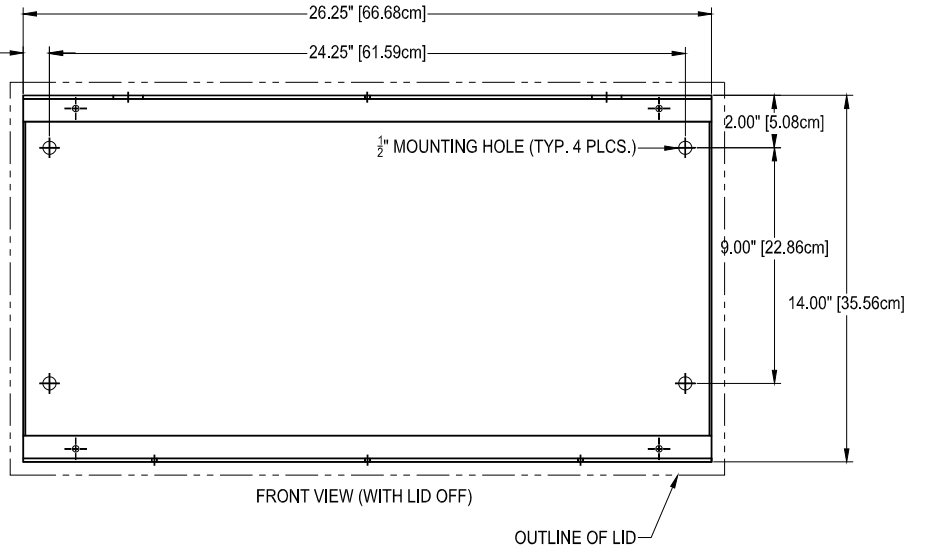
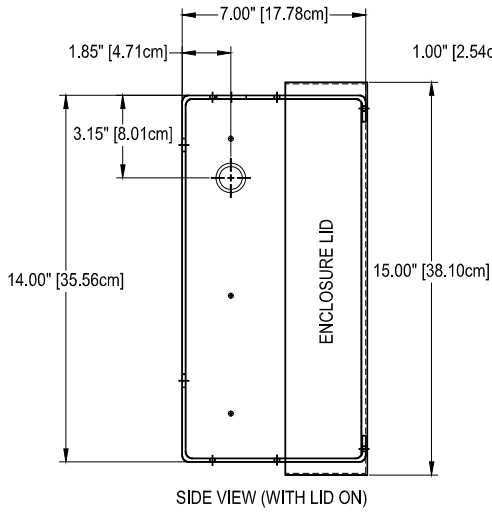
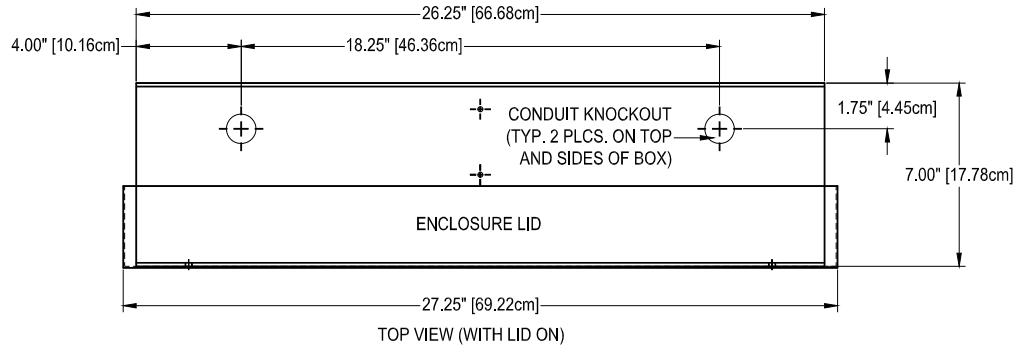
Capacity: Up to two 75 AH batteries

Mounting: Surface mount

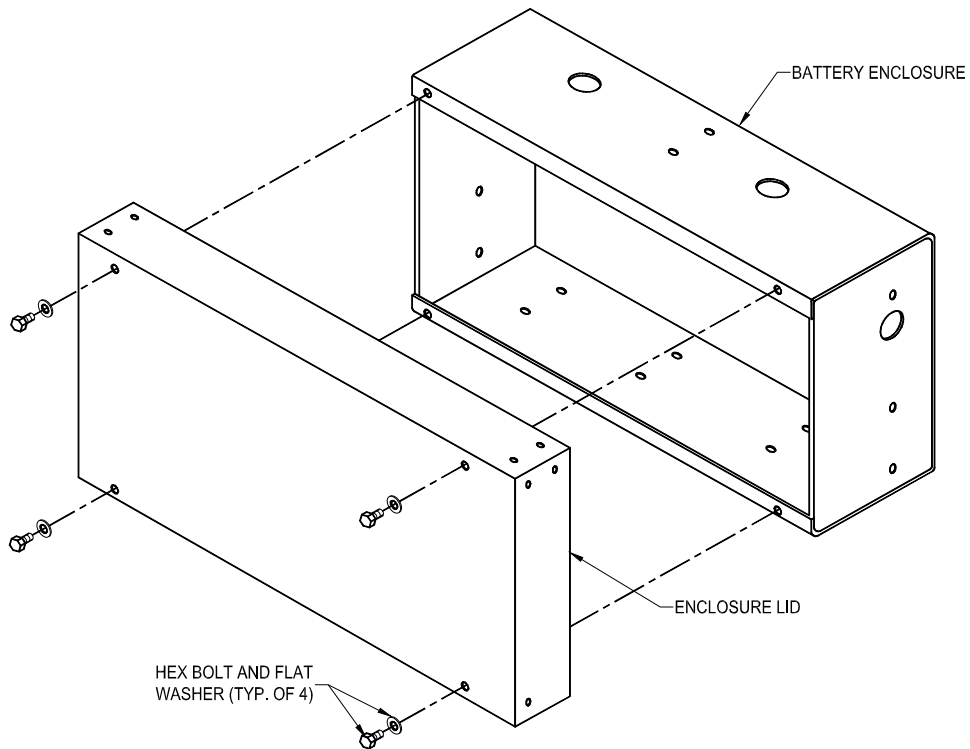
<sup>1</sup>Enclosure weight does not include batteries, only back box and lid.

## INSTALLATION

1. Unpack the enclosure and check for shipping damage.
2. Select the appropriate mounting location for the battery enclosure. Refer to drawing on the backside of this sheet for enclosure dimensions. Battery enclosure must be installed within 20 feet (6 m) of the control panel it is associated with.
3. Verify that the selected mounting surface is capable of supporting the weight of the enclosure and batteries before proceeding. It may be necessary to reinforce the mounting surface to support the weight of the enclosure and batteries.
4. Determine the quantity and size of conduit to be attached to the enclosure and remove appropriate knockouts.
5. Use the mounting holes located in the back of the enclosure and suitable anchors to secure the box to the mounting surface.
6. Install batteries and connect wiring.
7. Install enclosure lid using supplied mounting hardware.



### 75 AH Battery Enclosure Dimensions



### 75 AH Battery Enclosure Assembly