



<http://www.fike.co.uk/resource-downloads/twinflex/>

General Description

The Twinflex Weatherproof Flashpoint device provides visual indication when the system enters an alarm condition. This device is compatible with the Twinflex 2-wire range of Fire Alarm equipment and comprises a 2-wire zone-powered visual indication beacon. This device may be installed on the same zone as the Multipoint detector/sounder and associated Twinflex devices.



Before Installation

The Flashpoint must be installed in compliance with the control panel installation manual. The installation must also meet the requirements of any local authority.

Spacing

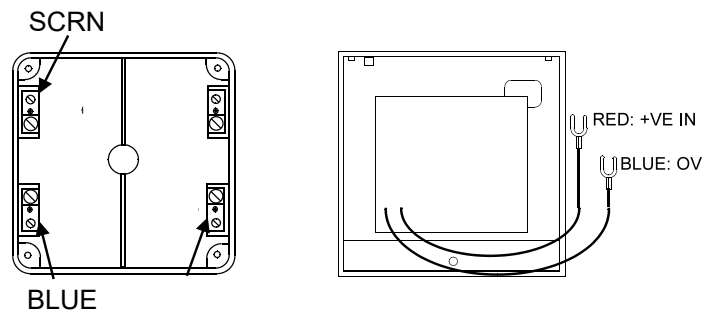
Fike recommends spacing of sounders and strobes in accordance with any local authority.

Device Installation

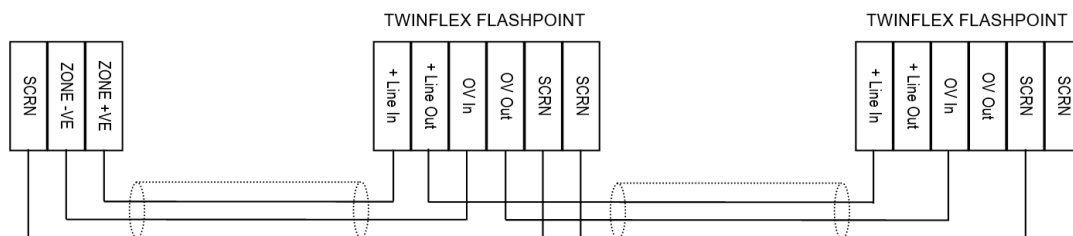
Pre-drill a minimum of 2 fixing holes in the back box as required. Fix the back box in a suitable position, remembering to allow enough space for the correct termination of the appropriate fire resistant cable. All wiring must be installed in compliance with the recommendations laid out by any local authority as well as any special recommendations documented in the control panel installation manual.

Connections

The cabling used should be 2-core 1.5mm² screened/earthed and fire resistant, of FP200 equivalent type and is to be in the form of a 2-core radial circuit terminating at the End of Line device. Cables may be terminated into the connectors mounted in the back box, as shown below. Also please ensure that you use suitable cable glands for cable entry in order to maintain the IP rating.



Care should be taken when terminating devices to ensure all cables are correctly sleeved and connections are secure. Improper connections will prevent a system from responding properly in the event of a fire. Please remember that all high voltage testing must be carried out before the installation of the Flashpoint front unit as this may cause damage. It is important to maintain the screen continuity in order to protect against data corruption from interference.



Twinflex Flashpoints can be mixed on the same zone as other types of Twinflex device (eg. Twinflex Multipoint Detectors). The above diagram shows how to make the zone positive, zone negative and screen connections between the control panel and Twinflex Flashpoints. Refer to the instruction leaflets supplied with other Twinflex devices for their equivalent wiring/terminal labelling details.

Please note that the SCRN terminal in the Flashpoint back boxes should only be connected to the zone cable screen and NOT to the building earth. The cable screen is connected to earth at the panel end only, via the zone “SCRN” terminal (or EARTH terminal on the Twinflex V3 2/4/8 Zone panels).

Once all testing has been carried out on the cabling and ‘continuity & integrity’ has been proven, the Flashpoint unit may be assembled. The Flashpoint is installed by pushing the front unit gently home. The four fixing screws may then be tightened as required.

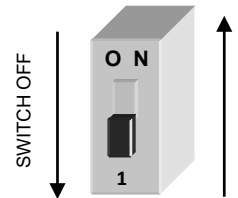
Remember that the device at the end of the line must have its EOL signal activated using the relevant DIL switch. Do not use a resistor or capacitor (or another manufacturer’s End of Line device) as the end of line, as this may prevent correct operation of the zone.

Dil Switch Settings

The device DIL switches may be used to program the operation of the Flashpoint Beacon.

They may be altered whilst the device is still powered or the system may be powered down completely.

The last device on the circuit must have the EOL signal enabled (switch number 1 in the ‘ON’ position).



Technical Data

Dimensions	Width.....	115mm	
	Height.....	115mm	
	Depth.....	70mm	
Operating Temperature	-10°C to +50°C	
Voltage Ranges	DC Output from Mains Powered Panel.....	25.5 to 35V DC	
	DC Output from Battery Powered Panel.....	20 to 26V DC	
Operating Current (Typical)	Quiescent.....	428 uA (Typical)	
	Beacon.....	5mA	
Loading Units		V3 Panel	Pro/Pro² Panel
	Max Loading Units per zone.....	27 SLU	160 DLU
	Sounder High.....	6.0 SLU	33
	Sounder Low.....	3.1 SLU	18
	Beacon.....	2.7 SLU	16
LED Operation	EOL indication.....	5 second interval	
Beacon Operation	Period.....	1s	
	Flash Duration.....	15 ms	
Flammability	UL94-V2	
IP Rating	IP52	
Part Codes	302 0023	

Technical Support

Contact your supplier for technical support on this product.

Due to the complexity and inherent importance of a life risk type system training on this equipment is essential, and commissioning should only be carried out by competent persons. Fike cannot guarantee the operation of any equipment unless all documented instructions are complied with, without variation.

Fike's policy is one of continual improvement and the right to change a specification at any time without notice is reserved. Whilst every care has been taken to ensure that the contents of this document are correct at time of publication, Fike shall be under no liability whatsoever in respect of such contents. E&OE

