

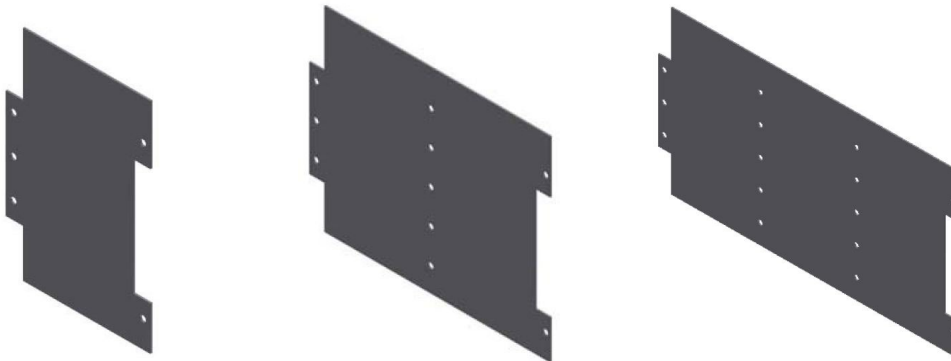
DEAD FRONT COVER PLATES

DESCRIPTION

The dead-front cover plates are designed to blank off any unused openings in enclosure dead front door panels and are available in several different configuration options. The plates are made of 18 gauge steel with a baked on enamel finish (red or black) to match the enclosure. The plates are secured to threaded press studs provided on the backside of the dead front panels using hardware provided with the enclosure.

APPROVALS:

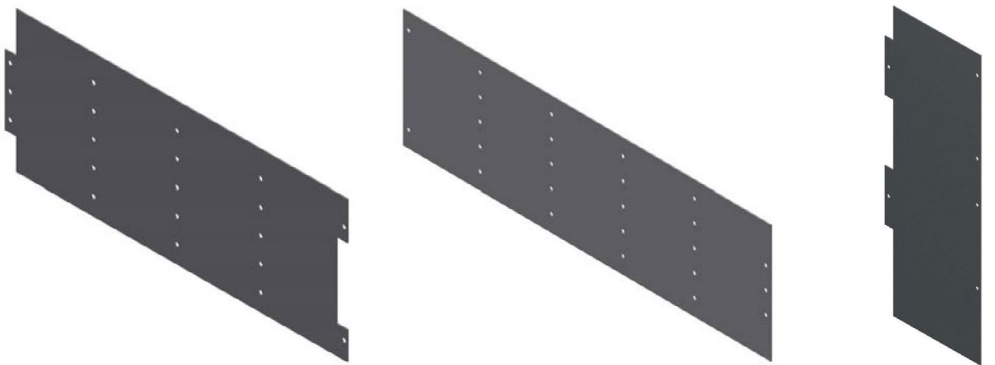
- UL - S2203
- FM Approved
- CSFM – 7165-0900:137 (CyberCat)
7165-0900:149 (Cheetah Xi)
- City of New York - #6119
- City of Denver
- City of Chicago



Single Card Cover Plate

Two Card Cover Plate

Three Card Cover Plate



Four Card Cover Plate

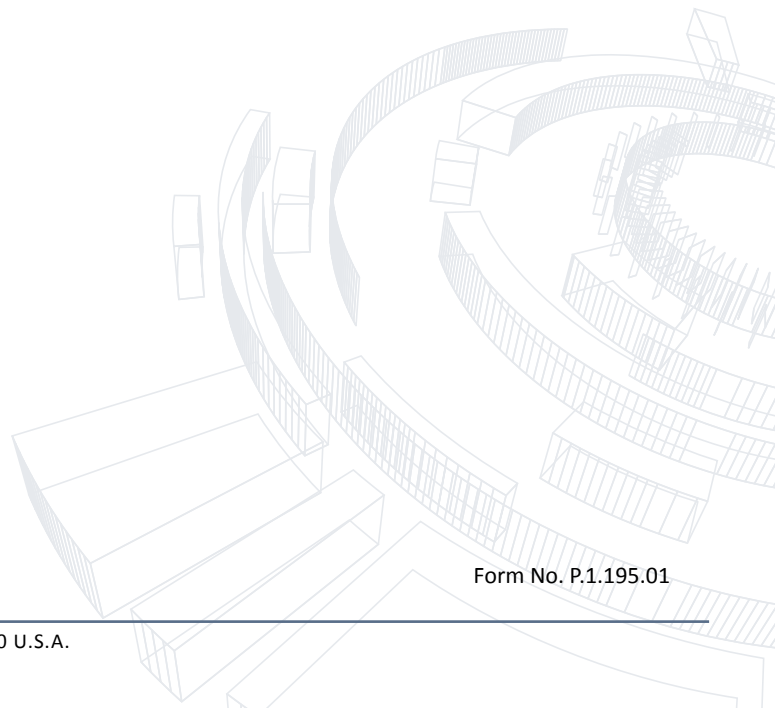
Five Card Cover Plate

Fire-Phone Cover Plate

ORDERING INFORMATION

Fike P/N	Description	Weight
10-2697-C	Single Card Cover Plate	0.25 lb. (113 g)
10-2774-C	Two Card Cover Plate	0.50 lb. (227 g)
10-2775-C	Three Card Cover Plate	0.75 lb. (340 g)
10-2776-C	Four Card Cover Plate	1 lb. (454 g)
10-2701-C	Five Card Cover Plate	1.25 lb. (565 g)
10-2766-C	Fire-Phone Cover Plate	0.96 lb. (436 g)

C = plate color (Red or Black)



(This page is left blank intentionally)