

Camera Mounting Accessories

General

The following camera mounting accessories can be purchased from Fike Video Analytics Corporation to facilitate the mounting of the Fike Video Analytics IP cameras.

Hikvision[®] WBL Indoor/Outdoor Wall Mounting Bracket



Features

- Die cast aluminum with surface spray treatment
- Cable entry
- Rubber cushion ensures camera stabilization
- Pan tilt adjustment

Specifications

Color	Hikvision white
Material	Aluminum alloy
Angle	Horizontal: 360° Vertical: -45° to 45°
Dimension	3.27 in. x 4.87 in. x 11.96 in. (83 mm x 123.9 mm x 304 mm)
Weight	1.68 lb. (765 g)
Maximum Load Capacity of Bracket Arm	18.74 lbs. (8.5 kg)
Maximum Load Capacity of Mount	5.51 lbs. (2.5 kg)

Pelco[®] CM4400 Light-Duty Ceiling J-Mount



Features

- Light-duty ceiling J-mount
- Manually adjustable tilt table
- Cable feedthrough hole
- For use with lightweight cameras and enclosures

Specifications

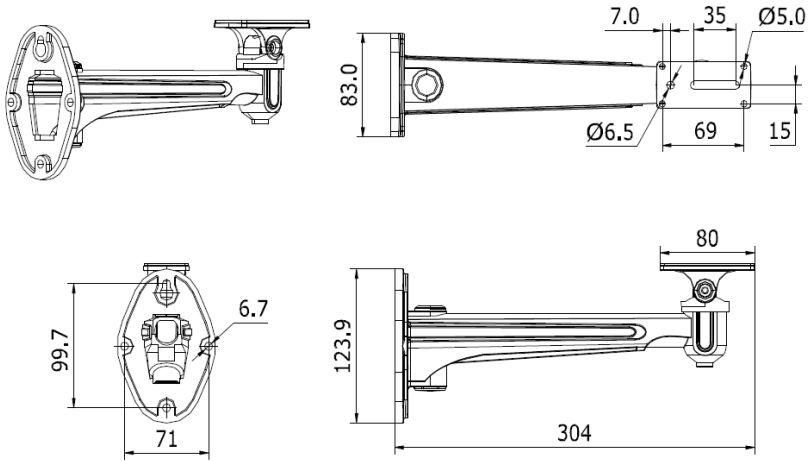
Construction	Steel
Finish	Gray polyester powder coat
Unit Weight	1.64 kg (3.62 lb.)
Shipping Weight	2.26 kg (5 lb.)
Maximum Load	6.75 kg (15 lb.)
Pan Adjustment	Unlimited 360°
Tilt Adjustment	±90°
Locking Method	Three 1/4-20 hex head bolts
Camera Mounting	1/4-20 mounting bolt (supplied)
Mounting Location	Indoor use only

Ordering

Part Number	Description
28-102	Hikvision WBL Wall Mount
28-088	Pelco CM4400 Ceiling J-Mount

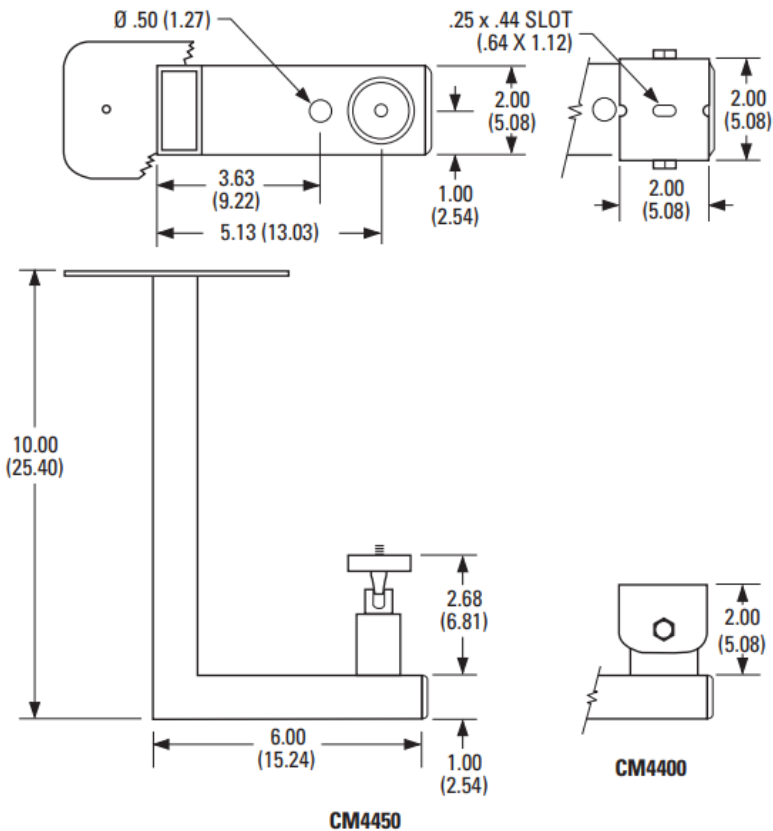
This document is only intended to be a guideline and is not applicable to all situations. Information is subject to Fike's full disclaimer at <http://www.fike.com/disclaimer>.

WBL Dimensions



Unit: mm

CM4400 Dimensions



NOTE: VALUES IN PARENTHESES ARE CENTIMETERS;
ALL OTHERS ARE INCHES.

This document is only intended to be a guideline and is not applicable to all situations.
Information is subject to Fike's full disclaimer at <http://www.fike.com/disclaimer>.