

MOXA® VPort 36-1MP-T IP Camera

Description

The MOXA VPort 36-1MP is a high definition, day-and-night box type IP camera that has been compatibility tested for use with the Fike Video Analytics network video server. The server uses proprietary onboard analytics to continuously monitor camera video, frame-by-frame, pixel-by-pixel to detect anomalies characteristic of fire, smoke and motion.

Camera features include high EMI/surge protection, optional IP68 housing for rain/dust protection, and -40 to 70°C (-40 to 158°F) operation without a heater or cooling fan. The camera is available with PoE (Power over Ethernet, 802.3af) or wire power input supporting 12/24 VDC or 24 VAC.

With built-in, removable IR-cut filter and automatic color mode switching, the VPort 36-1MP is suitable for either day or night use. Highly-tuned ROI (Regions of Interest), and WDR (Wide Dynamic Range) functions enable the VPort 36-1MP to product exceptionally clear images.

Ordering Information

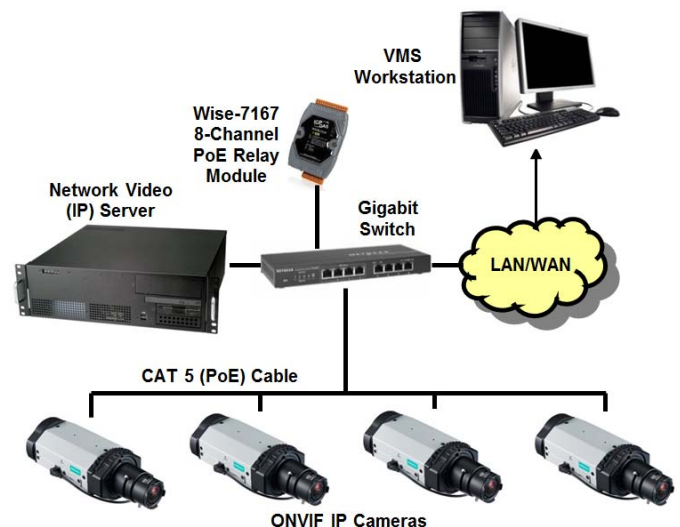
| Fike P/N | Description |
|-------------|--|
| 28-124 | VPort 36-1MP-T IP Camera (includes lens below) |
| VP-2811MPIR | CS mount, 2.8-10 mm lens |
| VP-CI701 | IP68-Rated outdoor housing 406 (L) x 109 (H) x 145 (W) mm |
| VP-CI800 | Wall-mounting bracket for outdoor housing 213 (L) x 146 (H) x 80 (W) mm |
| VP-CI815 | Pole-mounting bracket for Ø70 to Ø230 mm pole |



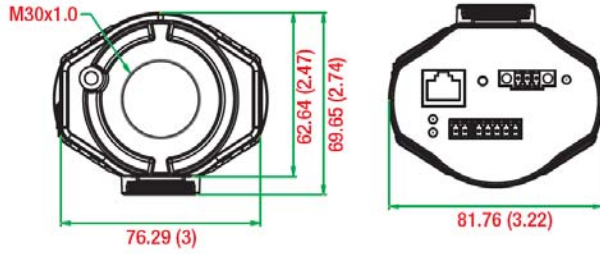
Features

- Third party tested for use with the Fike Video Analytics Network Video Server
- Industrial design with -40 to 75°C operating temperature (heater or cooling fan not required)
- 1/2.7" progressive scan CMOS camera with HD resolution (max. 1280 x 720)
- DNR, WDR for superb image quality
- Triple video streams with H.264 and MJPEG
- Compatible with C/CS-mount lenses with built-in ICR support
- EN 50121-4 and NEMA TS2 compliant
- DynaStream™ support for maximum network efficiency
- Local storage capability with SD card slot

System Architecture

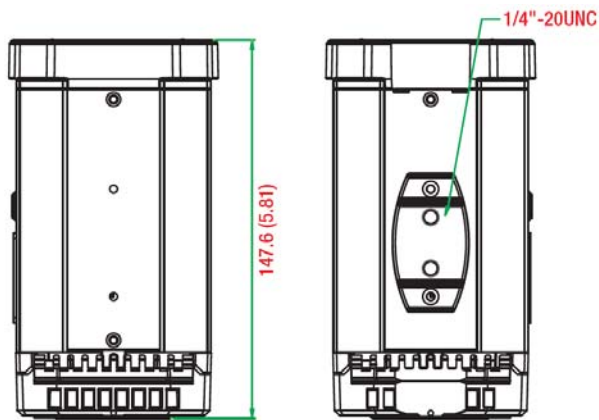


Dimensions mm (inch)



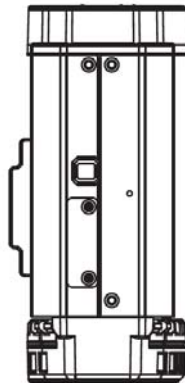
Front View

Rear View



Top View

Bottom View



Side View

Accessories

VP-CI701 IP68 Outdoor Housing



Specifications

| | |
|------------------------|--|
| Construction | Die cast aluminum alloy |
| Dimensions (D x H x W) | 406 x 109 x 171 mm (15.98 x 4.29 x 6.73 in.) |
| View Window | Tempered Glass |
| Housing Style | Clam Shell |
| Latch | Dual-side screw-fastened |
| Weight | 2.2 kg (4.85 lb.) |

VP-CI800 Wall-Mounting Bracket



Specifications

| | |
|------------------------|--|
| Construction | Die cast aluminum alloy |
| Dimensions (D x H x W) | 213 x 148 x 80 mm (8.39 x 5.82 x 3.15 in.) |
| Maximum Load | 20 kg (44.2 lb.) |
| Weight | 690 g (1.52 lb.) |

VP-CI815 Pole-Mounting Brackets



Specifications

| | |
|------------------------|---|
| Construction | Die cast aluminum alloy |
| Dimensions (D x H x W) | 75 x 168.1 x 277.4 mm (2.95 x 6.61 x 10.91 in.) |
| Maximum Load | 30 kg (66.14 lb.) |
| Weight | 2.4 kg (5.29 lb.) |
| Pole Diameter | Ø70 to Ø230 mm (Ø2.76 to Ø9.06 in.) |

Specifications

| Camera | |
|------------------------------------|--|
| Sensor | 1/2.7" HD progressive scan CMOS |
| Lens | CS mount |
| Illumination (low light intensity) | <ul style="list-style-type: none"> Color: 0.2 lux at F1.2 B/W: 0.05 lux at F1.2 |
| Day & Night | Auto/Color/BW; ICR Control |
| Synchronization | Internal |
| White Balance | ATW/AWB |
| Electronic Shutter | Auto, Fixed (1/30 to 1/25000 sec) |
| Dynamic Range | <ul style="list-style-type: none"> Color: 100 dB B/W: 110 dB |
| S/N Ratio | 50 dB (AGC OFF; DNR ON) |
| ICR Control | Auto (light sensor control) or DI control |
| DNR | Built-in (digital noise reduction) |
| WDR | Levels 1-8 |
| AGC (auto gain control) | 2X, 4X, 8X, 16X, 32X, 64X |
| IRIS | Auto, DC drive |
| Flickerless Control | Indoor/Outdoor mode |
| Auto Exposure | Level \pm 5 |
| Image Rotation | Flip, Mirror, and 180° rotation |
| Image Setting | Manual tuning with saturation, sharpness, and contrast |
| Black Level Control | High/Medium/Low |
| Video | |
| Video Compression | H.264 (ISO/IEC 14496-10) or MJPEG |
| Video Output | Via Ethernet |
| Video Streams | 3, H.264, or MJPEG independent video streams |
| Video Viewing | <ul style="list-style-type: none"> DynaStream™ support for changing the video frame rate automatically 3 privacy mask areas provided Adjustable image size and quality Timestamp and text overlay Maximum of 5 simultaneous unicast connections, 50 multicast clients CBR Pro™ support for accurate streaming bit rate control |
| Physical Characteristics | |
| Housing | Metal, IP30 protection |
| Dimensions | 81.76 x 69.65 x 147.6 mm (3.22 x 2.74 x 5.81 in) |
| Weight | 770 g (1.69 lb) |
| Installation | Wall mounting, pole mounting, corner mounting |
| Alarms | |
| Intelligent Video | VPort 36-1MP: Camera tamper VPort 36-1MP-IVA: Camera tamper, detection line/zone, missing object, abandoned object |
| Video Motion Detection | 3 independently configurable areas; includes sensitivity tuning |
| Scheduling | Daily repeat timing schedule |
| Imaging | JPEG snapshots for pre/trigger/post alarm images |
| Video Recording | Event recordings stored on the SD card |
| Custom Alarms | HTTP event servers for setting customized alarm actions |

| Alarms | |
|-------------------------------------|--|
| Email/FTP Messaging | Automatic transfer of stored images via email or FTP as event-triggered actions |
| Pre-alarm Buffer | 24 MB video buffer for JPEG snapshot images |
| Security | |
| Password | User level password protection |
| Filtering | By IP address |
| Authentication | 802.1X |
| Encryption | HTTPS, SSH |
| Environmental Limits | |
| Operating Temperature | Std. Models: -25 to 60°C (-13 to 140°F) Wide Temp. Models: -40 to 75°C (-40 to 167°F) |
| Storage Temperature | -40 to 85°C (-40 to 185°F) |
| Ambient RH | 5 to 95% (non-condensing) |
| Environmental Limits | |
| Vibration | IEC 60068-2-6, 2 to 13.2 Hz: 2 mm (peak-peak); 13.2 to 100 Hz: 0.7g; 1.50 hrs/axis IEC 60068-2-6, 3 to 9 Hz: 7 mm (peak-peak); 9 to 150 Hz: 1.0g; 1.86 hrs/axis |
| Shock | IEC 60068-2-27, 20g/11ms |
| Altitude | 2000 m |
| Standards and Certifications | |
| Safety | UL 60950-1 |
| Rail Traffic | EN50121-4 |
| EMC | EN 55032/24 |
| EMI | CISPR 32, FCC Part 15B Class A |
| EMS | IEC 61000-4-2 ESD: Contact: 6 kV; Air: 8 kV IEC 61000-4-3 RS: 80 MHz to 1 GHz: 20 V/m IEC 61000-4-4 EFT: Power: 2 kV; Signal: 2 kV IEC 61000-4-5 Surge: Power: 2 kV; Signal: 2 kV IEC 61000-4-6 CS: 10 V IEC 61000-4-8 |
| Hazardous Location | UL/cUL Class I Division 2 Groups A/B/C/D, ATEX Zone 2 Ex nCnAnL IIC T4 |
| Transportation | NEMA TS2 |
| MTBF (mean time between failures) | |
| Time | 541,826 hours |
| Standard | Telcordia SR332 |
| Warranty | |
| Warranty Period | 5 years |
| Details | See www.moxa.com/warranty |
| Minimum Viewing System Requirements | |
| CPU | Pentium 4, 2.4 GHz |
| Memory | 512 MB of memory |
| OS | Windows XP/2000 with SP4 or above, Windows Vista, Windows 7 |
| Browser | Internet Explorer 9.x or above |
| Multimedia | DirectX 9.0c or above |
| Software Development | |
| VPort SDK PLUS | Includes CGI commands, ActiveX Control, and API library for customized applications or system integration for third-party developers (latest version available on Moxa website). |
| Standard | ONVIF Profile S |

Specifications continued

| Camera Lens | |
|-----------------|--------------------------------|
| Model | VP-2811MPIR |
| Description | 2.8 to 10 mm Day & Night Lens |
| Mounting Type | CS Mount |
| Focus | Manual |
| Zoom | Manual |
| Operating Temp. | -40°F to 167°F (-40°C to 75°C) |