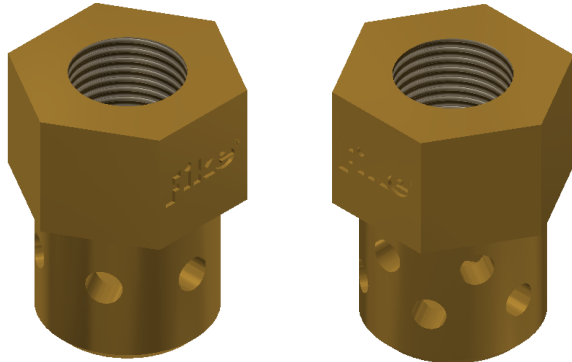


HFC-125 ENGINEERED DISCHARGE NOZZLES



360° Nozzle

180° Nozzle

Description

The discharge nozzles are made of brass and are available in a 180° and 360° discharge patterns. The nozzles are designed to control the agent flow and to distribute the agent throughout the protected enclosure in a uniform, predetermined pattern and concentration.

Seven sizes of discharge nozzles are available, 3/8" (10 mm) through 2" (50 mm). The size refers to the size of schedule 40 or 80 pipe that the nozzle can be connected to. Each nozzle has NPT female threads for connection to the pipe network.

When ordering nozzles, orifice size must be specified. The nozzle orifice area is determined by performing a hydraulic calculation using the Fike Engineered Flow Calculation program. Nozzle(s) should not be ordered until the clean agent system pipe network is installed and an "As Built" hydraulic calculation is performed. Nozzle orifice drilling must be done at Fike factory, or at a UL listed nozzle drill station.

Approvals

Underwriters Laboratories (UL)
 Underwriters Laboratories of Canada (ULC)
 Factory Mutual (FM)

For exact certification listings, please reference the respective agency web site.

Ordering

Part Number	Description
80-077-XXXX	3/8" (10 mm) 360° nozzle
80-078-XXXX	1/2" (15 mm) 360° nozzle
80-079-XXXX	3/4" (20 mm) 360° nozzle
80-080-XXXX	1" (25 mm) 360° nozzle
80-081-XXXX	1 1/4" (32 mm) 360° nozzle
80-082-XXXX	1 1/2" (40 mm) 360° nozzle
80-083-XXXX	2" (50 mm) 360° nozzle
80-084-XXXX	3/8" (10 mm) 180° nozzle
80-085-XXXX	1/2" (15 mm) 180° nozzle
80-086-XXXX	3/4" (20 mm) 180° nozzle
80-087-XXXX	1" (25 mm) 180° nozzle
80-088-XXXX	1 1/4" (32 mm) 180° nozzle
80-089-XXXX	1 1/2" (40 mm) 180° nozzle
80-090-XXXX	2" (50 mm) 180° nozzle

Note: -XXXX in part number is the orifice code designation.

This document is only intended to be a guideline and is not applicable to all situations. Information is subject to Fike's full disclaimer at <http://www.fike.com/disclaimer>.