

FIKE ENGINEERED NOZZLES FOR DUPONT™ FM-200® OR HFC-227ea CLEAN AGENT SYSTEMS

DESCRIPTION

The function of the Fike Engineered Discharge Nozzle in a fire extinguishing system is to distribute the Clean Agent in a uniform, pre-determined pattern and concentration. The nozzles are designed to complete the discharge of Clean Agent in 10 seconds or less when installed within the design limitations of the Fike Design Manual and the Fike Flow Calculation computer program.

Fike Engineered Discharge Nozzles are available in sizes of 10 mm through 50 mm. Each nozzle is available in 180 and 360 degree discharge patterns. All nozzles are supplied with BSP threads.

The Discharge Nozzle size refers to the size of Schedule 40 or 80 steel pipe to which it can be connected. The nozzle discharge orifices are drilled perpendicular to the center line of the threads. The nozzles are mounted to allow the agent to be discharged on a horizontal axis.

Nozzle orifices are available in a wide range of sizes to provide accurate clean agent flow results. All nozzles have been tested for their ability to discharge the clean agent under extreme conditions.

Nozzle orifice drilling must be done at the Fike factory only after "As-Built" calculations of the installed piping system(s) have been performed, using the Fike Flow Calculation computer program.

ARCHITECT AND ENGINEERING SPECIFICATIONS

The nozzle used to disperse Clean Agent shall be a Fike Series 84. The nozzle shall be available in 10mm through 50mm sizes with BSP threads. Each size shall be available in both 180 and 360 degree dispersion patterns. The nozzle used shall have pipe threads that correspond to the nozzle size. All nozzle orifice drilling shall be performed by the manufacturer.



180° Nozzle



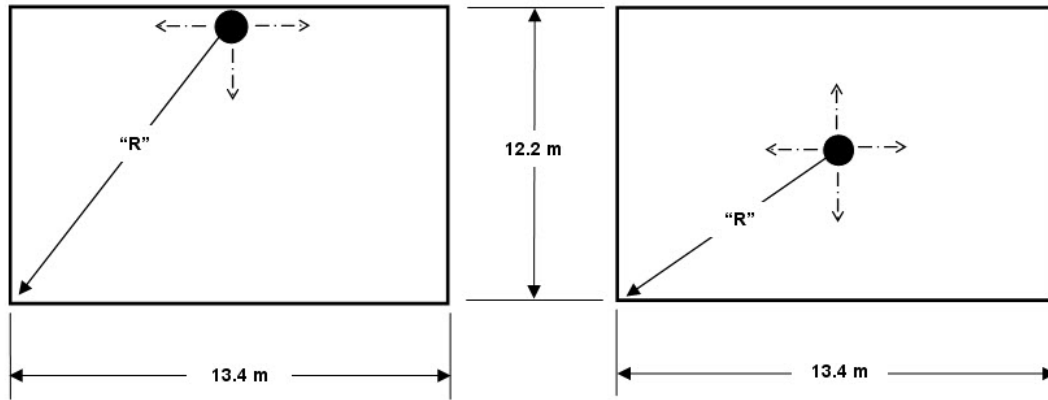
360° Nozzle

APPROVALS:

- UL Listed - GAQF.EX4623
- FM Approved - 3038632



NOZZLE SIZE AND AREA COVERAGE



Nozzle Size 10-50 mm		
Nozzle Type	Radius "R" Dimensions	Ceiling Height Range
180°	13.92 m	0.3 to 4.9 m
360°	9.04 m	0.3 to 4.9 m

Nozzle Size (mm)	180° Nozzle P/N	360° Nozzle P/N
10	84-008-XXXX	84-001-XXXX
15	84-009-XXXX	84-002-XXXX
20	84-010-XXXX	84-003-XXXX
25	84-011-XXXX	84-004-XXXX
32	84-012-XXXX	84-005-XXXX
40	84-013-XXXX	84-006-XXXX
50	84-014-XXXX	84-007-XXXX

Notes:

- a. The maximum allowable area of coverage includes any area within the radius distance from the nozzle ("R" dimension) to the most extreme wall or corner.
- b. Nozzles should be located on center line of hazard area.
- c. When working with ceiling heights exceeding the values tabulated above, the hazard volume must be broken down into vertically stacked hazard volumes, with heights less than the maximums shown in the table. It is imperative that unusual applications of this nature be handled by experienced design engineers and, in most cases, operational tests should be performed before the system is put into service.
- d. 180 and 360 degree nozzles may be placed a maximum of 30.5 cm down from the ceiling, and 180 degree nozzles may be placed a maximum of 30.5 cm from the wall.
- e. Nozzle threading is BSP.