

IMPULSE VALVE OPERATOR SUPERVISOR (IVOS)

DESCRIPTION

The Impulse Valve Operator Supervisor (IVOS) is used to monitor the presence of the Impulse Valve Operator (IVO). When installed between the Impulse Valve on the container and the IVO, this supervises the position of the actuation device; when the IVO is removed from the container this will cause a “trouble” at the system control panel.

This can also be used to monitor the position of the Impulse Valve Pneumatic Operator (IVPO).



SPECIFICATIONS – IMPULSE VALVE OPERATOR SUPERVISOR (IVOS)	
Item	Description
Part Number	02-14263
Switch	Normally Closed (Black) / Normally Open Contacts (White) / Common (Red)
Conduit	0.25" ID SST Flexible Conduit 34.75" lg. with 1/2" Knockout Connector
Wire Leads	22 AWG, 44" lg.
Temperature Range	32°F to 130°F (0°C to 54.4°C)
Listings & Approvals	UL / ULC Listed & FM Approved

INSTALLATION

After the electrical / control system has been checked out and no trouble / ground faults are present; proceed with the Actuation System installation.

NOTE: This should be the last items completed before the system is placed into operation.

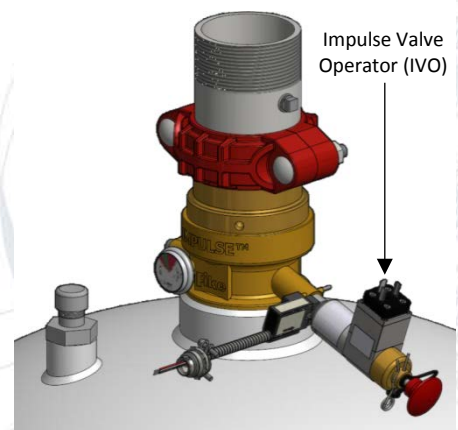
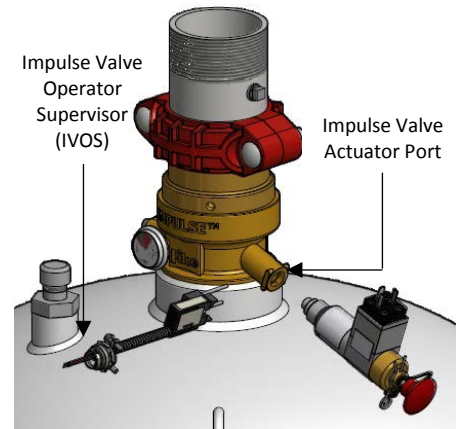
IMPORTANT NOTES: Check to ensure IVO is armed (Firing Pin retracted) and Safety Pin is place before installing to the Impulse Valve on the container.

Install the wire leads from the IVOS to the control unit. (Refer to typical wiring diagrams for details)

Install IVO; remove Retaining Clip and Plastic Plug from Impulse Valve Actuation Port.

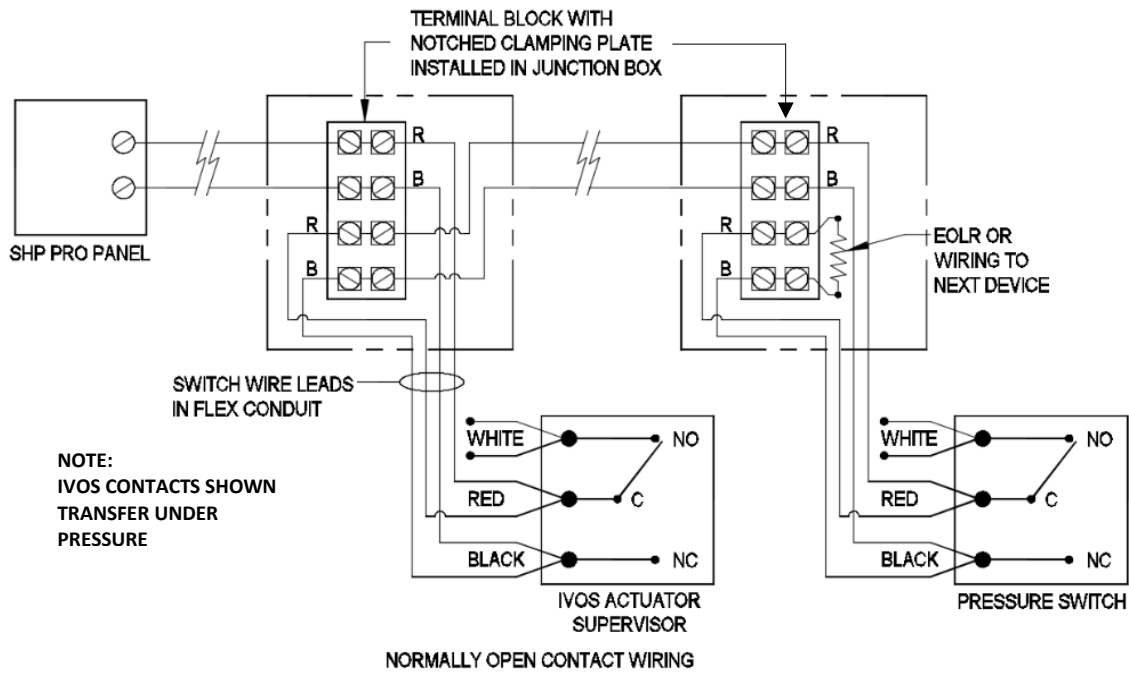
Insert IVO into Impulse Valve Actuation Port and insert IVOS Retaining Clip.

The container is “**NOW ARMED**”.



TYPICAL WIRING DETAIL FOR SHP PRO TO IVOS

(See SHP Pro Control Unit manual for specific wiring requirements)



TYPICAL WIRING DETAIL FOR MONITOR MODULE TO IVOS

(See Cheetah Xi Control Unit manual for specific wiring requirements)

