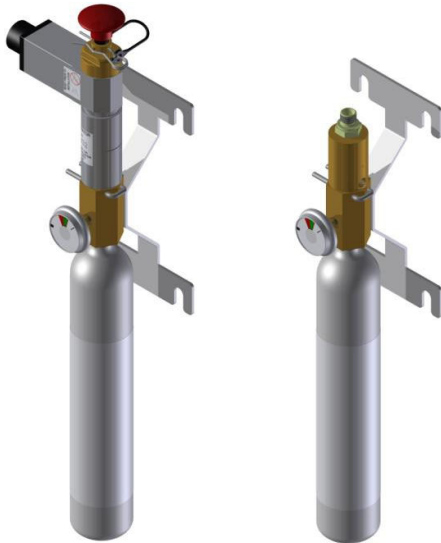


## CLEAN AGENT NITROGEN ACTUATOR COMPLETER KITS



### Description

The Clean Agent Completer Kits provide the components necessary to outfit a Nitrogen Actuator Assembly to pneumatically activate a Fike Clean Agent Suppression system. A Clean Agent Completer Kit is designed to be used with Fike's SAV or Impulse valves.

### Ordering

A completer kit is required for each Nitrogen Actuator Assembly. Nitrogen Actuator Assembly and completer kits are sold separately.

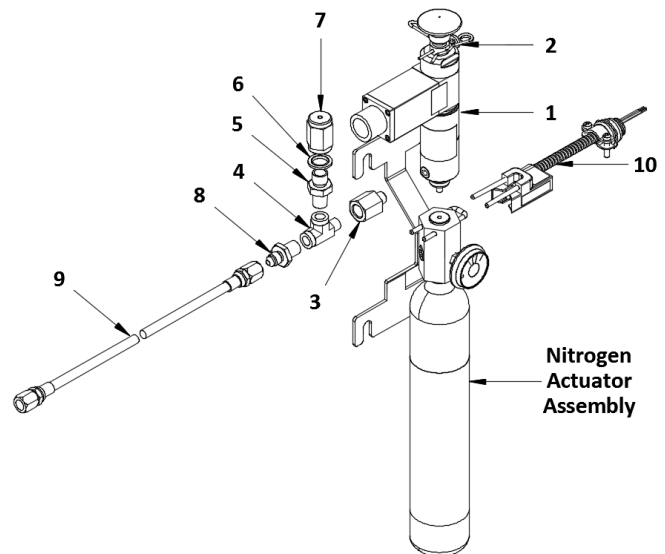
### Approvals

Underwriters Laboratories (UL)  
 Underwriters Laboratories of Canada (ULC)  
 Factory Mutual (FM)

## UVO Primary Completer Kit (P/N 70-335)

This kit provides a means to electrically and manually activate the Nitrogen Actuator Assembly. A Univesal Valve Operator (UVO), included with the kit, is fitted to the top of the Nitrogen Actuator Assembly. The UVO provides a means to electrically activate the Nitrogen Actuator Assembly via a 24 VDC signal from the control panel or to manually activate the assembly by pressing the red manual strike button on the UVO. Activation of the UVO allows pressure from the Nitrogen Actuator Assembly to flow through a stainless steel pneumatic actuation line to the controlled system component for activation.

The kit includes the following parts:



Item	Part Number	Description
1	02-13571	Universal Valve Operator (UVO)
2	02-2213	Security Tie †
3	02-13640	1/8 NPT x 1/4 NPT Adapter
4	C02-1335	1/4 NPT Street Tee
5	02-11766	1/4 NPT x G1/4 Adapter
6	02-10926	1/4" Sealing Washer
7	IG71-026	Vent Valve Assembly
8	02-4530	1/4 NPT x 1/4 JIC Adapter
9	02-4977	35" Hose (1/4 JIC x 1/4 JIC)
10	02-14627	Universal Valve Operator Supervisor (UVOS)

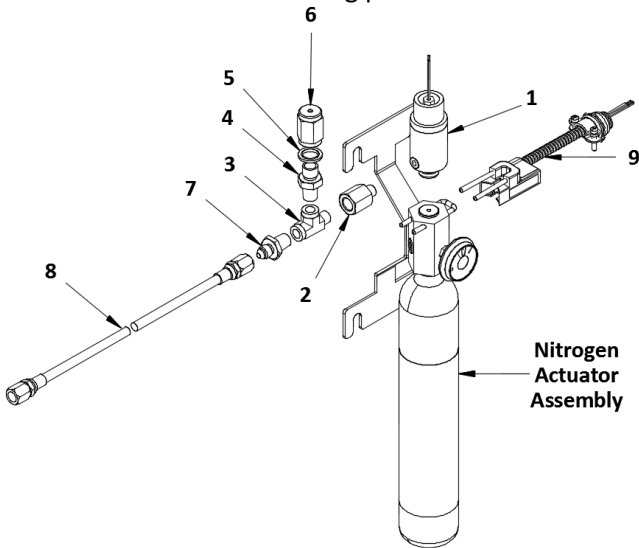
† = Item not shown in illustration

This document is only intended to be a guideline and is not applicable to all situations. Information is subject to Fike's full disclaimer at <http://www.fike.com/disclaimer>.

## UEA Primary Completer Kit (P/N 70-400)

This kit provides a means to electrically activate the Nitrogen Actuator Assembly. A Universal Energetic Actuator (UEA), included with the kit, is fitted to the top of the Nitrogen Actuator Assembly. The UEA provides a means to electrically activate the Nitrogen Actuator Assembly via a 24 VDC signal from the control panel. The UEA does not provide a means to manually activate the assembly. Activation of the UEA allows pressure from the Nitrogen Actuator Assembly to flow through a stainless steel pneumatic actuation line to the controlled system component resulting in activation.

The kit includes the following parts:



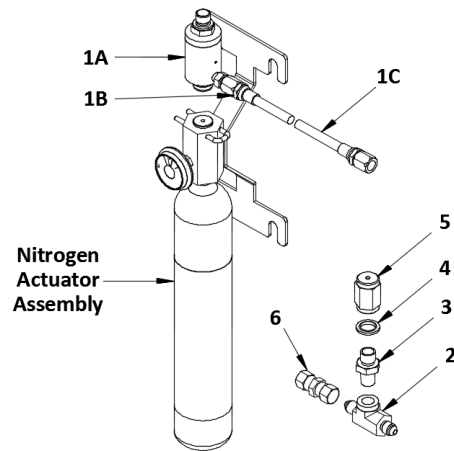
Item	Part Number	Description
1	IG71-247	Universal Energetic Actuator (UEA)
2	02-13640	1/8 NPT x 1/4 NPT Adapter
3	C02-1335	1/4 NPT Street Tee
4	02-11766	1/4 NPT x G1/4 Adapter
5	02-10926	1/4" Sealing Washer
6	IG71-026	Vent Valve Assembly
7	02-4530	1/4 NPT x 1/4 JIC Adapter
8	02-4977	35" Hose (1/4 JIC x 1/4 JIC)
9	02-14627	Universal Valve Operator Supervisor (UVOS)
10	02-11902	1/8 BSPT Plug †
11	10-2748	Impulse Release Module (IRM) †

† = Item not shown in illustration

## Secondary Completer Kit (P/N 70-336)

This kit provides a means to pneumatically activate the Nitrogen Actuator Assembly. A pneumatic relay, included with the kit, is fitted to the top of the Nitrogen Actuator Assembly. Pressure from a 'Primary' Nitrogen Actuator Assembly is used to activate the pneumatic relay, which allows pressure from the Nitrogen Actuator Assembly to flow through a stainless steel pneumatic actuation line to the controlled system component resulting in activation. The pneumatic relay does not provide a means to manually activate the Nitrogen Actuator Assembly.

The kit includes the following parts:



Item	Part Number	Description
1A*	IG71-120	Pneumatic Relay
1B*	02-11243	1/8 x 1/4 JIC Hex Nipple
1C*	02-4977	35" Hose (1/4 JIC x 1/4 JIC)
2	02-14721	1/4 JIC x 1/4 FNPT Branch Tee
3	02-11766	1/4 NPT x G1/4 Adapter
4	02-10926	1/4" Sealing Washer
5	IG71-026	Vent Valve Assembly
6	02-11346	1/4 JIC Coupling

\*Part of pneumatic relay assembly (P/N 70-334)

**NOTE:** Multiple Nitrogen Actuator Assemblies with secondary completer kits can be daisy chained together to increase the allowable length of the pneumatic actuation line.

This document is only intended to be a guideline and is not applicable to all situations. Information is subject to Fike's full disclaimer at <http://www.fike.com/disclaimer>.