

IMPULSE VALVE PNEUMATIC OPERATOR (IVPO)



Description

The Impulse Valve Pneumatic Operator (IVPO) provides a means to pneumatically activate a Fike Impulse valve container utilizing the discharge pressure from a 'Primary' Impulse Valve container or Nitrogen Actuator Assembly.

The pneumatic pressure fed into the IVPO provides the force required to extend its stainless steel piston through the base of the actuator where it will impact the container's rupture disc valve causing it to open, allowing the agent to be released from the container. The IVPO can be easily reset after activation to return it to normal operation.

Connection of the IVPO to the container's actuator port must be continuously supervised. This is accomplished by using a Fike Impulse Valve Operator Supervisor (P/N 02-14263) to secure the IVPO to the container's actuator port. Refer to IVOS Data Sheet IV.1.23.01 for IVOS details.

Approvals

Underwriters Laboratories (UL)
 Underwriters Laboratories of Canada (ULC)
 Factory Mutual (FM)

For exact certification listings, please reference the respective agency web site.

Specifications

Part Number	02-12729
Construction	Stainless Steel Body Brass End Cap Stainless Steel Piston
Temperature	32 to 130°F (0 to 54.4°C), 93% maximum humidity
Pneumatic Connection	1/8" NPT, Female
IVPO Limitations	A maximum of 6 containers equipped with IVPOs can be pneumatically activated from an electrically activated Impulse Valve container

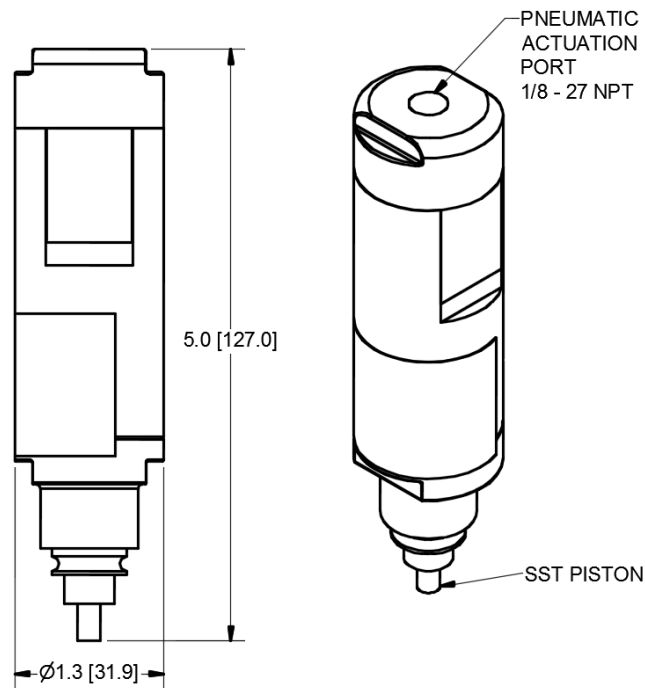
Ordering Information

The IVPO can be ordered separately or it can be ordered as part of the following kit.

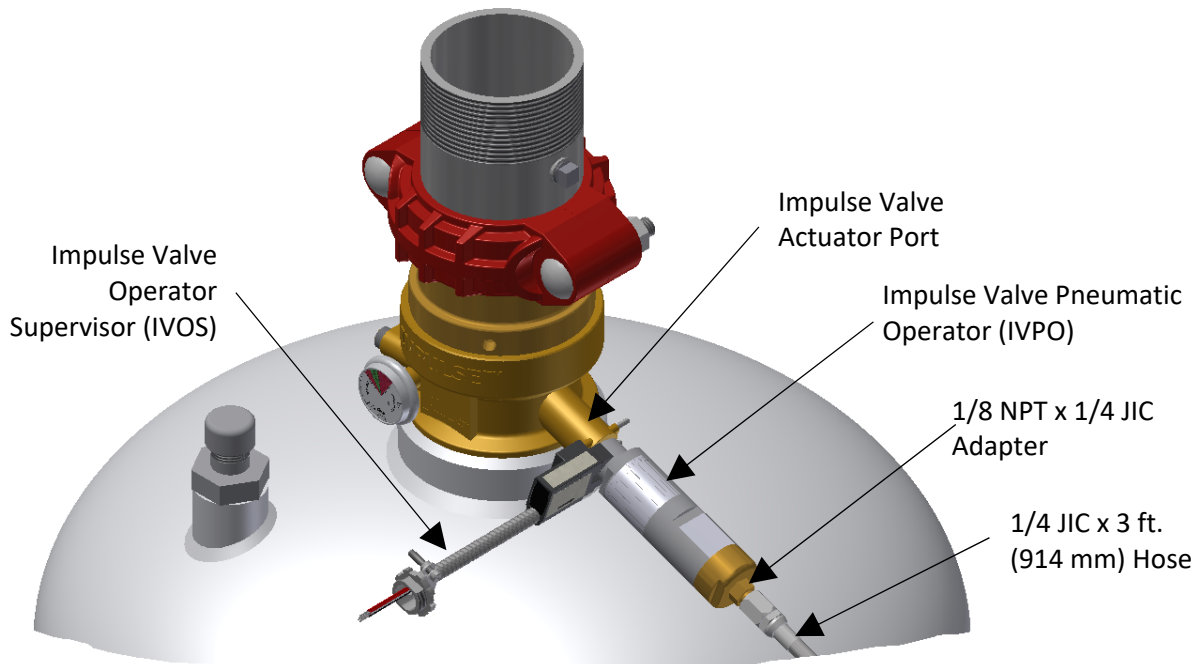
IVPO Kit (P/N 70-280)	
Part Number	Description
02-12729	Impulse Valve Pneumatic Operator (IVPO)
02-4543	1/8" NPT x 1/4 JIC Adapter
02-4977	1/4 JIC x 3 ft. (914 mm) Actuation Hose

This document is only intended to be a guideline and is not applicable to all situations. Information is subject to Fike's full disclaimer at <http://www.fike.com/disclaimer>.

IVPO Dimensions



IVPO Connection to Container



IVPO Installed on Container Valve

This document is only intended to be a guideline and is not applicable to all situations. Information is subject to Fike's full disclaimer at <http://www.fike.com/disclaimer>.