

## IMPULSE VALVE CONTAINER MOUNTING STRAPS AND BRACKETS

### Description

The container mounting straps or bracket is designed to rigidly support the installed suppression container. Each container is supplied with the appropriate mounting strap or bracket when ordered. Each mounting strap and bracket is constructed of carbon steel and can be painted red or white to match the container.

Mounting hardware for attachment of the strap or bracket to the mounting surface is supplied by the system installer.

### Approvals

Underwriters Laboratories (UL)  
Underwriters Laboratories of Canada (ULC)  
Factory Mutual (FM)

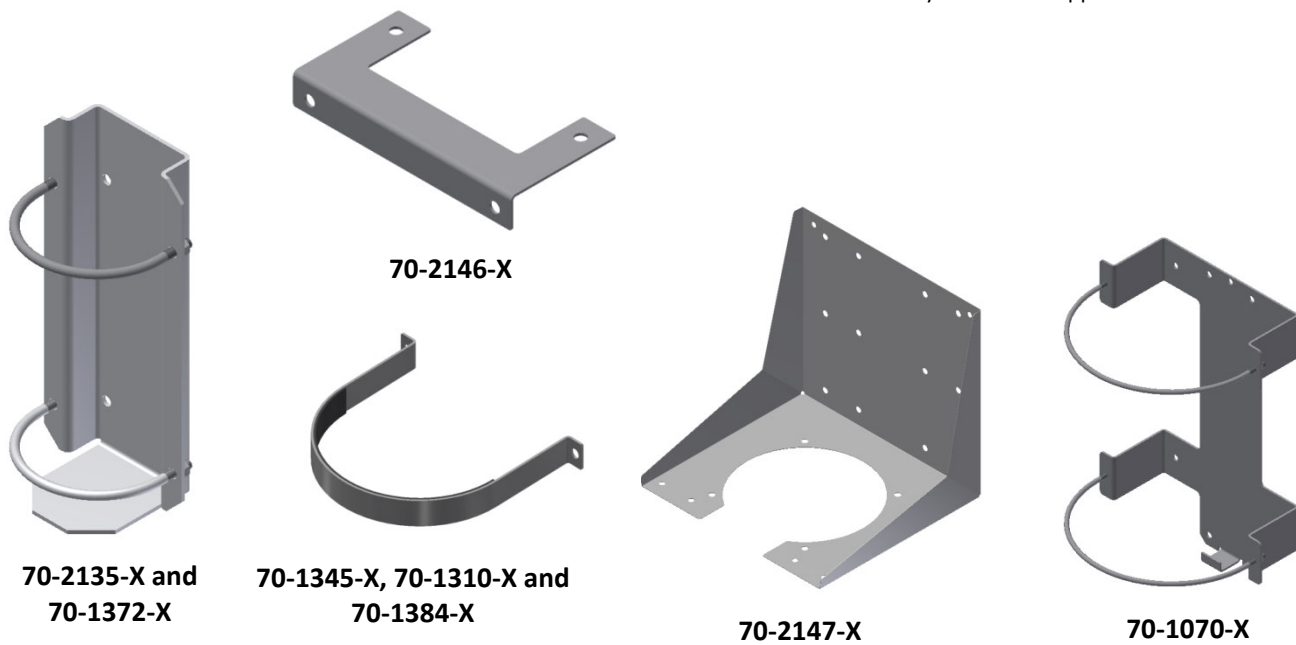
*For exact certification listings, please reference the respective agency web site.*

### Ordering

Part Number	Description
70-2135-X	Cylinder bracket for 5 lb. (2 L) and 10 lb. (4 L) containers
70-1372-X	Cylinder bracket for 20 lb. (8.5 L) and 35 lb. (15 L) containers
70-1070-X	Cylinder bracket for 60 lb. (27 L) container
70-1345-X	Cylinder strap for 100 lb. (44 L) container
70-2141-X	Cylinder bracket for 150 lb. (61 L) container
70-2142-X	Cylinder bracket for 150 lb. (61 L) inverted container
70-1310-X	Cylinder strap for 215 lb. (88 L) and 375 lb. (153 L) containers
70-1384-X	Cylinder strap for 650 lb. (267 L) and 1000 lb. (423 L) containers

#### Notes:

- X = paint option. Container brackets can be painted White or Red. When ordering a container bracket the paint option must be specified (-W for white or -R for red).
- 150 inverted cylinder is not applicable to FK-5-1-12 systems.



This document is only intended to be a guideline and is not applicable to all situations. Information is subject to Fike's full disclaimer at <http://www.fike.com/disclaimer>.