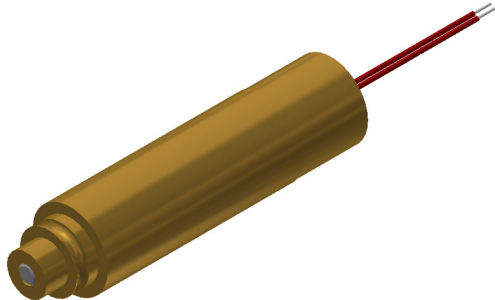


## IMPULSE ENERGETIC ACTUATOR (IEA)



### Description

The Impulse Energetic Actuator (IEA) provides a means to activate a Fike Impulse Valve container via an electric signal from a Fike releasing panel. Activation of the IEA provides the force required to extend its stainless steel piston through the base of the actuator where it will impact the container's rupture disc valve causing it to open, allowing the agent to be released from the container. The IEA is a single shot device that must be replaced after activation.

Electrical activation of the IEA requires it to be connected to a Fike Impulse Releasing Module (IRM). The IRM provided the interface between the IEA and the releasing circuit of the Fike releasing panel.

### Specifications

Part Number	70-374
Construction	Stainless Steel Body Brass End Cap Stainless Steel Piston
Electrical Connection	1/2" rigid conduit compression fitting
Wires	2 - 20 AWG black wires 36" (914 mm) long
Supply Voltage	24 VDC
Supervision Current	0.01 Amps
Firing Current	1 Amp maximum
Auto Ignition Temperature	≥ 170°C (338 °F)
Storage Temp.	5°C (41 °F) minimum 25°C (77 °F) maximum
Shelf Life	1 year
Service Life (ambient)	10 years

### Ordering Information

The IEA can be ordered separately using the part number listed above or as part of the following kit.

IEA Kit (P/N 70-390)	
Part Number	Description
70-374	Impulse Energetic Actuator (IEA)
02-14263	Impulse Valve Operator Supervisor (IVOS)
10-2748	Impulse Releasing Module (IRM)

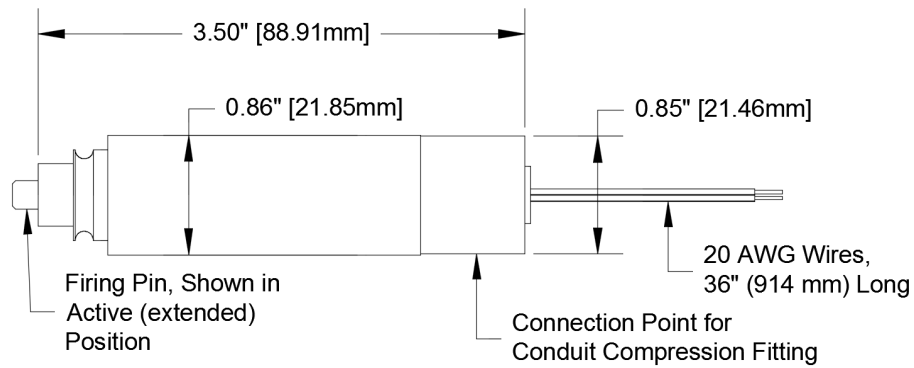
### Approvals

Underwriters Laboratories (UL)

*For exact certification listings, please reference the respective agency web site.*

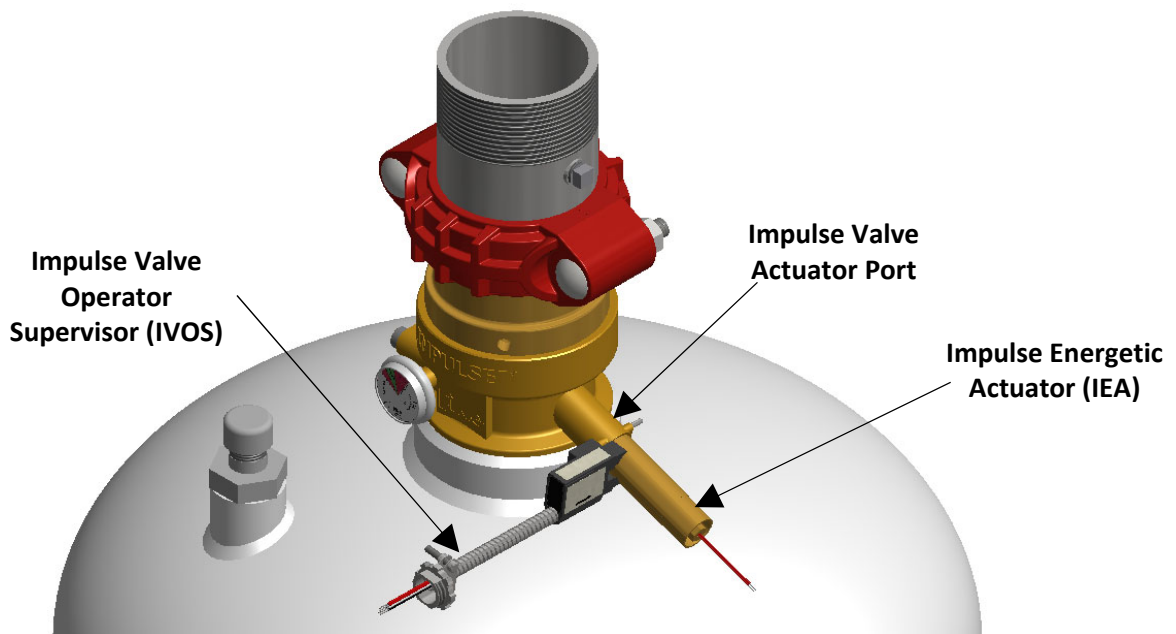
This document is only intended to be a guideline and is not applicable to all situations. Information is subject to Fike's full disclaimer at <http://www.fike.com/disclaimer>.

## IEA Dimensions



## IEA Connection to Container

Connection of the IEA to the container's actuator port must be continuously supervised. This is accomplished by using a Fike Impulse Valve Operator Supervisor (P/N 02-14263) to secure the IEA to the container's actuator port. Refer to IVOS Data Sheet IV.1.23.01 for details.



IEA Installed on Container Valve

This document is only intended to be a guideline and is not applicable to all situations. Information is subject to Fike's full disclaimer at <http://www.fike.com/disclaimer>.