

## CO<sub>2</sub> PRESSURE SWITCH

### DESCRIPTION

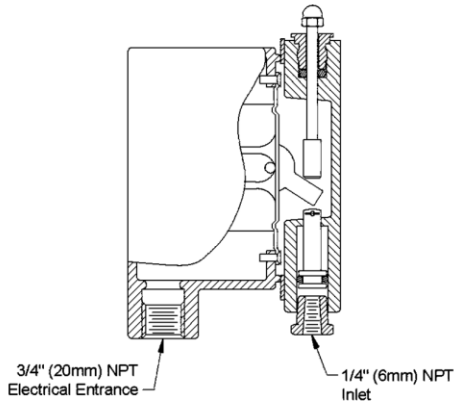
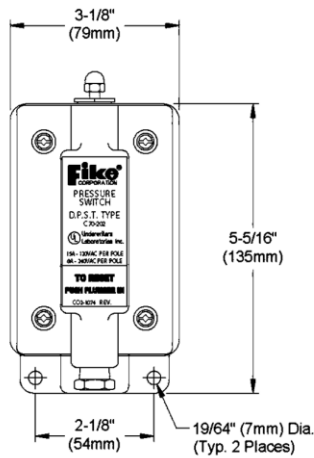
The Pressure Switch (P/N C70-202) is used to provide an electrical tie-in to the control panel that indicates the system has been activated. The pressure switch can also be used to open, or close, electrical circuits and perform various functions.

The pressure switch is a double pole, single throw switch housed in a weather-proof backbox. When the system is activated, the switch is operated by the agent pressure from the discharge piping.



### SPECIFICATIONS

Part Number:	C70-202
Switch:	Double pole, single throw
Ratings:	15A - 120 VAC 8A - 240 VAC
Activation Pressure:	100 psig (6.9 barg) Minimum



- APPROVALS:**
- UL Listed
  - FM Approved
  - CEx
  - USCG Approved