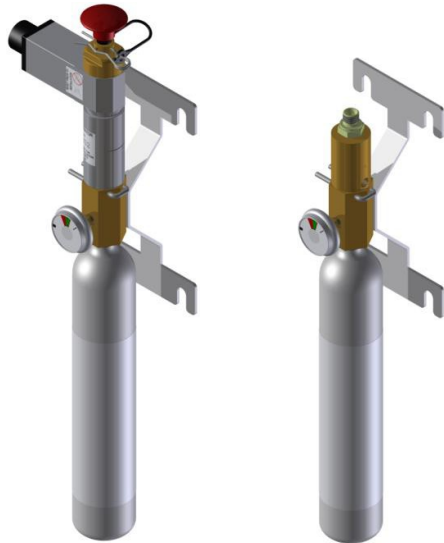


## CARBON DIOXIDE (CO<sub>2</sub>) NITROGEN ACTUATOR COMPLETER KITS



### Description

The carbon dioxide (CO<sub>2</sub>) nitrogen actuator completer kits provide the components necessary to outfit a nitrogen actuator assembly to pneumatically activate a Fike CO<sub>2</sub> suppression system valve. A completer kit is required for each nitrogen actuator assembly. The nitrogen actuator assembly and completer kit are sold separately. See page 2 for kit part numbers.

### Approvals

Underwriters Laboratories (UL)  
Underwriters Laboratories of Canada (ULC)  
Factory Mutual (FM)

*For exact certification listings, reference the respective agency website.*

### Specifications

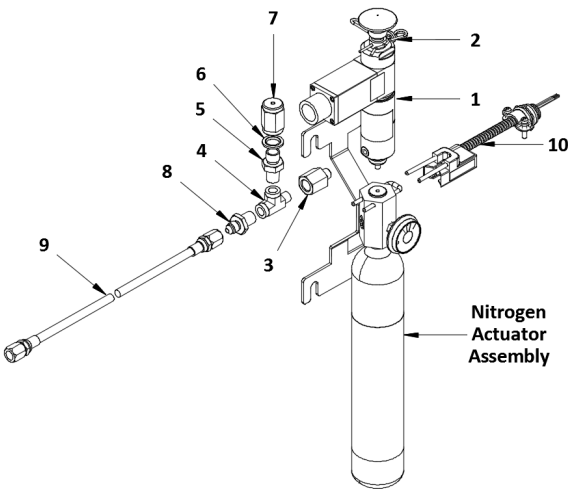
NITROGEN CYLINDER	
Fill Pressure	1800 psig (124 barg)
Volume	28 in <sup>3</sup> (460ml)
Classification	DOT 3E1800 / TC-3EM 124
Temperature Range	-4°F to 120°F (-20°C to 49°C)
Listings and Approvals	UL / ULC Listed & FM Approved
PRESSURE GAUGE	
Housing	SST Case, Polycarbonate Lens, Brass Adaptor
Contact Rating	333 mA / 30 VDC
Electrical Connection	18 AWG 12 inch (305 mm) Leads
Switch Setting	1621 psi (112 bar) (Normally Open at Operating Pressure)
UNIVERSAL VALVE OPERATOR (UVO), P/N 02-13571	
Normal Supply Voltage	24 VDC
Current Consumption (for battery calculation)	<ul style="list-style-type: none"> <li>▪ SHP-Pro – Alarm max. 912 mA / Supervisory max. 33.4 mA</li> <li>▪ Cheetah Xi – Alarm max. 930 mA / Supervisory max. 25.4 mA</li> </ul>
Electrical Connection	½" NPT for conduit connection
UVO Material	Stainless Steel body / Brass end cap
UNIVERSAL VALVE OPERATOR SUPERVISORY (UVOS) P/N 02-14627	
Switch Contacts	NC (Black) / NO (White) / Common (Red)
Conduit	0.25" ID SST Flexible Conduit, 4.17 ft. (1.27 m) long with ½" connector
Wire Leads	22 AWG, 5 ft. (1.5 m) long

This document is only intended to be a guideline and is not applicable to all situations. Information is subject to Fike's full disclaimer at <http://www.fike.com/disclaimer>.

## UVO Primary Completer Kit (P/N C70-251)

This kit provides a means to electrically and manually activate the Nitrogen Actuator Assembly. A Universal Valve Operator (UVO), included with the kit, is fitted to the top of the Nitrogen Actuator Assembly. The UVO provides a means to electrically activate the Nitrogen Actuator Assembly via a 24 VDC signal from the control panel or to manually activate the assembly by pressing the red manual strike button on the UVO. Activation of the UVO allows pressure from the Nitrogen Actuator Assembly to flow through a stainless steel pneumatic actuation line to the controlled system component for activation.

The kit includes the following parts:



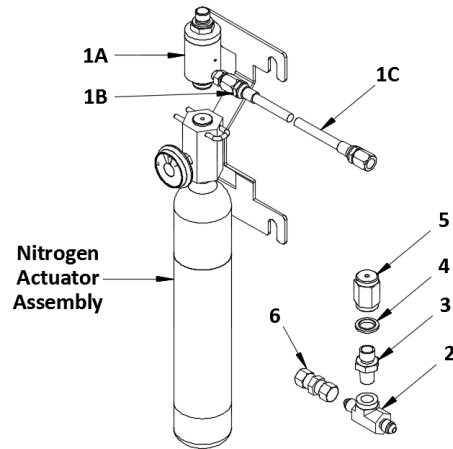
Item	Part Number	Description
1	02-13571	Universal Valve Operator (UVO)
2	02-2213	Security Tie
3	02-13640	1/8 NPT x 1/4 NPT Adapter
4	C02-1335	1/4 NPT Street Tee
5	02-11766	1/4 NPT x G1/4 Adapter
6	02-10926	1/4" Sealing Washer
7	IG71-026	Vent Valve Assembly
8	02-4530	1/4 NPT x 1/4 JIC Adapter
9	02-4977	35" Hose (1/4 JIC x 1/4 JIC)
10	02-14627	Universal Valve Operator Supervisor (UVOS)
11	CO2-1278	¼ JIC x 1/8 NPT Elbow †
12	02-14720	¼ JIC x 1/8 MNPT Branch Tee †

† = Item not shown in illustration

## Secondary Completer Kit (P/N C70-252)

This kit provides a means to pneumatically activate the Nitrogen Actuator Assembly. A pneumatic relay, included with the kit, is fitted to the top of the Nitrogen Actuator Assembly. Pressure from a 'Primary' Nitrogen Actuator Assembly is used to activate the pneumatic relay, which allows pressure from the Nitrogen Actuator Assembly to flow through a stainless steel pneumatic actuation line to the controlled system component resulting in activation. The pneumatic relay does not provide a means to manually activate the Nitrogen Actuator Assembly.

The kit includes the following parts:



Item	Part Number	Description
1A*	IG71-120	Pneumatic Relay
1B*	02-11243	1/8 x 1/4 JIC Hex Nipple
1C*	02-4977	35" Hose (1/4 JIC x 1/4 JIC)
2	02-14721	1/4 JIC x 1/4 FNPT Branch Tee
3	02-11766	1/4 NPT x G1/4 Adapter
4	02-10926	1/4" Sealing Washer
5	IG71-026	Vent Valve Assembly
6	02-11346	1/4 JIC Coupling
7	CO2-1278	¼ JIC x 1/8 NPT Elbow †
8	02-14720	¼ JIC x 1/8 MNPT Branch Tee †
9	02-4977	35" Hose (1/4 JIC x ¼ JIC) †

\*Part of pneumatic relay assembly (P/N 70-334)

† = Item not shown in illustration

**NOTE:** Multiple nitrogen actuator assemblies with secondary completer kits can be daisy chained together to increase the allowable length of the pneumatic actuation line.

This document is only intended to be a guideline and is not applicable to all situations. Information is subject to Fike's full disclaimer at <http://www.fike.com/disclaimer>.