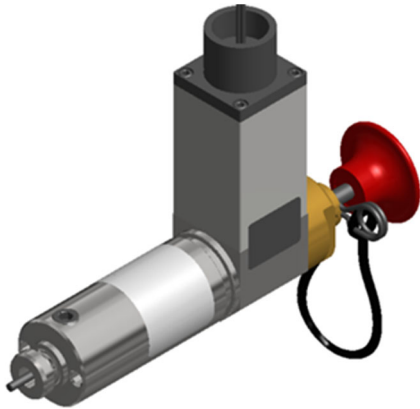


UNIVERSAL VALVE OPERATOR (UVO)



Description

The Universal Valve Operator (UVO) provides a means to activate a ProInert cylinder valve, Nitrogen Actuator Assembly or Selector Valve Assembly. The UVO can be automatically activated by an electric signal from a Fike releasing panel or manually activated by removing the safety cotter pin and depressing the red strike button on the UVO. Once activated, the UVO will latch in the fired position and must be manually reset using a Fike reset tool before being placed back into service.

NOTE: A ProInert system must have at least one 'Primary' actuator for system activation.

The UVO is equipped with a pressure port for connecton of a flexible pilot hose. This connection is used on a multiple cylinder system to enable the discharge pressure from the activation of the cylinder or nitrogen actuator the UVO is connected to, to pneumatically activate up to 60 additional cylinders connected in series via a pilot line connection or to divert the system discharge pressure to a selector valve for activation.

Approvals

Underwriters Laboratories (UL)
 Underwriters Laboratories of Canada (ULC)
 Factory Mutual (FM)

For exact certification listings, please reference the respective agency web site.

Specifications

Part Number	02-13571
Construction	Stainless Steel Body Brass End Cap Stainless Steel Piston
Electrical Connection	1/2" NPT conduit connection
Wires	2, 20 AWG Black Wires, 36" (914 mm) long
Temperature	Limited to system temperature rating
Normal Supply Voltage	24 VDC
Actuation Type	Latching
Reset Requirement	Manually with reset tool
Current Consumption*	SHP Pro Alarm max. 912 mA Supervision max. 33.4 mA
	Cheetah Xi & Xi 50 Alarm max. 930 mA Supervision max. 25.4 mA

*For battery calculations

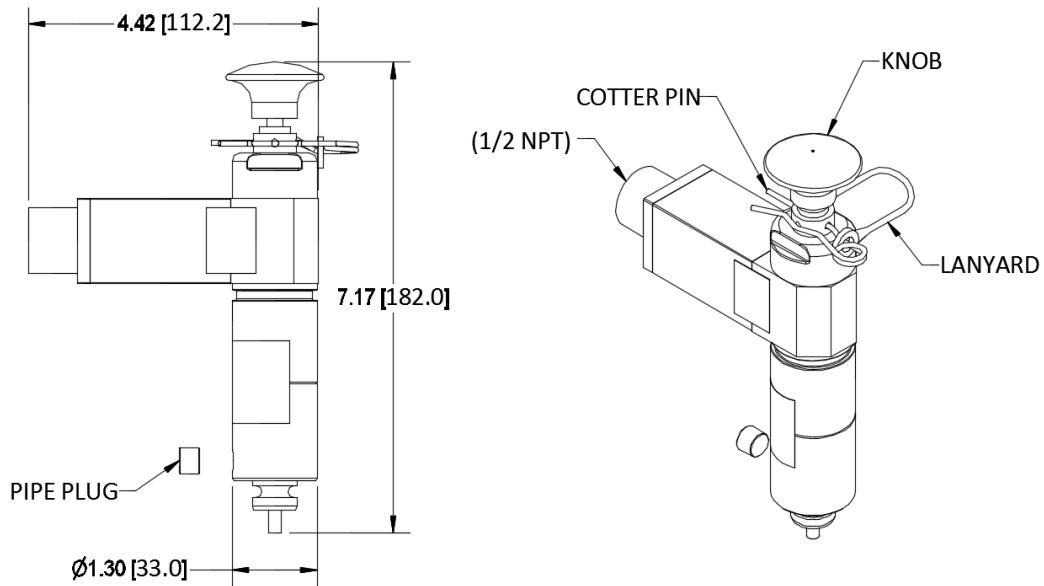
Ordering Information

The UVO can be ordered separately using the part number listed above, ordered as part of the discharge valve completer kit, or it can be ordered as part of the following kit.

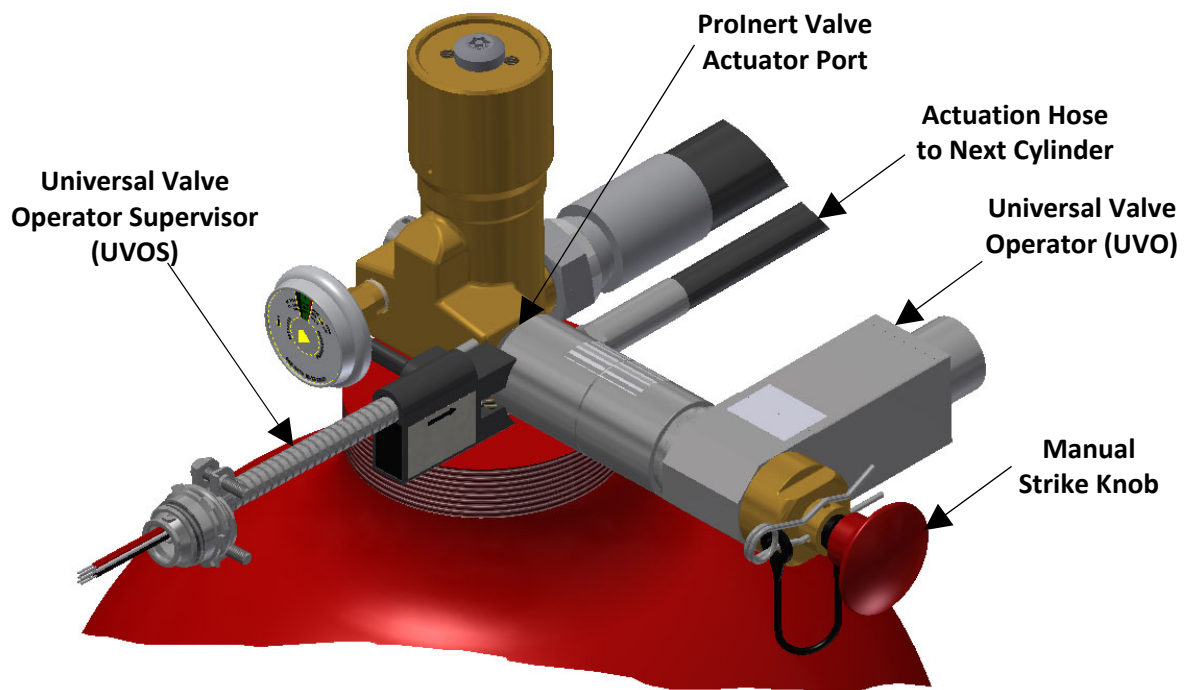
UVO Kit (P/N 70-315)	
Part Number	Description
02-13571	Universal Valve Operator (UVO)
02-14627	Universal Valve Operator Supervisor (UVOS)
02-13713	PTFE 1/4 Hose
02-2213	Security Ties

This document is only intended to be a guideline and is not applicable to all situations. Information is subject to Fike's full disclaimer at <http://www.fike.com/disclaimer>.

UVO Dimensions



UVO Connection to Cylinder



UVO Installed on Prolnert®2 Cylinder Valve

This document is only intended to be a guideline and is not applicable to all situations. Information is subject to Fike's full disclaimer at <http://www.fike.com/disclaimer>.