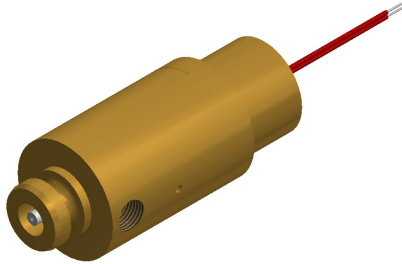


## UNIVERSAL ENERGETIC ACTUATOR (UEA)



### Description

The Universal Energetic Actuator (UEA) provides a means to activate a Prolnert cylinder valve, Nitrogen Actuator Assembly or Selector Valve Assembly. The UEA can be automatically activated by an electric signal from a Fike releasing panel. The UEA does NOT provide a means for manual activation. The UEA is a single shot device that must be replaced after activation.

**NOTE:** A Prolnert system must have at least one 'Primary' actuator for system activation.

Electrical activation of the UEA requires it to be connected to a Fike Impulse Releasing Module (IRM). The IRM provides the interface between the UEA and the releasing circuit of the Fike releasing panel.

The UEA is equipped with a pressure port for connection of a flexible pilot hose. This connection is used on a multiple cylinder system to enable the discharge pressure from the activation of the cylinder or nitrogen actuator the UEA is connected to, to pneumatically activate up to 60 additional cylinders connected in series via a pilot line connection or to divert the system discharge pressure to a selector valve for activation.

### Approvals

Underwriters Laboratories (UL)

*For exact certification listings, please reference the respective agency web site.*

### Specifications

Part Number	IG71-247
Construction	Brass Housing Stainless Steel Piston
Electrical Connection	½" NPT male threads for conduit connection
Wires	2, 20 AWG Black Wires 36" (914 mm) long
Temperature	Limited to system temperature rating
Supply Voltage	24 VDC
Current Consumption*	Supervision max. 0.01 A Firing max. 1A
Auto Ignition Temp.	≥ 170°C (338 °F)
Service Life (ambient)	10 years
Actuation Type	Latching
Reset Requirement	Single Shot, must be replaced

\*For battery calculations

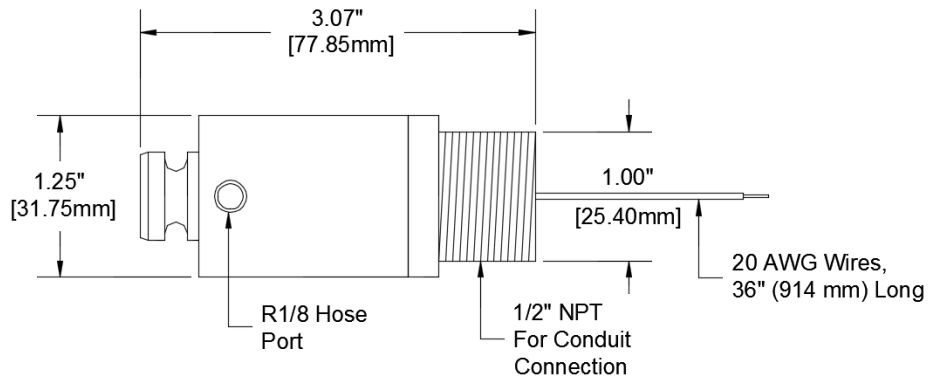
### Ordering Information

The UEA can be ordered separately using the part number listed above, ordered as part of the discharge valve completer kit, or it can be ordered as part of the following kit.

UEA Kit (P/N IG71-249)	
Part Number	Description
IG71-247	Universal Energetic Actuator (UEA)
02-14627	Universal Valve Operator Supervisor (UVOS)
02-13713	¼ PTFE Hose
10-2748	Impulse Releasing Module (IRM)

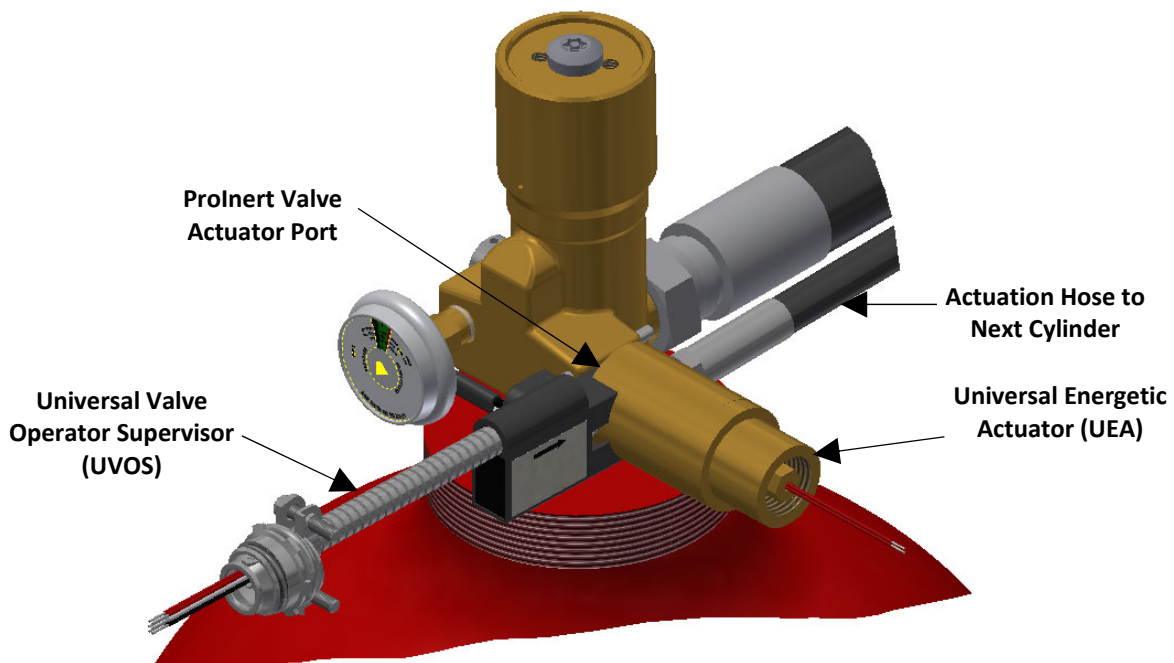
This document is only intended to be a guideline and is not applicable to all situations. Information is subject to Fike's full disclaimer at <http://www.fike.com/disclaimer>.

## UEA Dimensions



## UEA Connection to Prolnert Cylinder

Connection of the UEA to the cylinder's actuator port must be continuously supervised. This is accomplished by using a Fike Universal Valve Operator Supervisor (P/N 02-14627) to secure the UEA to the cylinder's actuator port. Refer to UVOS Data Sheet C.1.80.01 for details.



UEA Installed on Prolnert®2 Cylinder Valve

This document is only intended to be a guideline and is not applicable to all situations. Information is subject to Fike's full disclaimer at <http://www.fike.com/disclaimer>.