

PROINERT®2 COMPLETER KITS FOR IG-55

Description

A completer kit must be ordered for each ProInert cylinder discharge valve. Each kit includes the components necessary to connect the cylinder to the discharge manifold, activate the cylinder valve and monitor the cylinder pressure. The completer kit components must be field-installed.

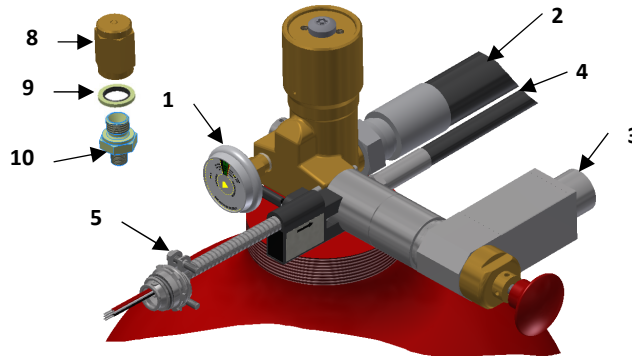
Ordering Information

Completer kits must be ordered to match the cylinder pressure (200 bar or 300 bar) and with the appropriate discharge hose assembly (NPT or BSP) to facilitate connection to the discharge piping or manifold.

Primary Completer Kits

Primary completer kits provide a means to activate the ProInert system electrically or manually. A minimum of one cylinder must be fitted with a primary completer kit for system activation. Pressure from the 'Primary' cylinder can be used to activate up to 60 'Secondary' cylinders.

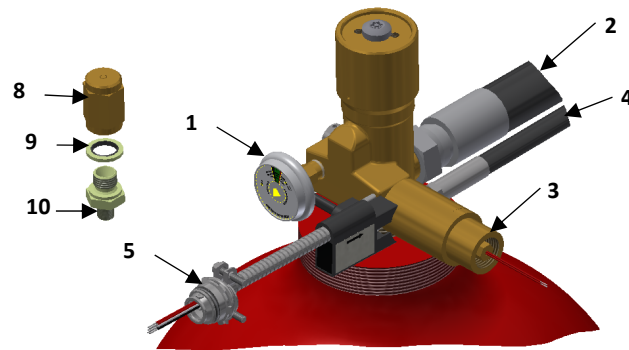
Universal Valve Operator (UVO) Primary Completer Kits



| Item | NPT Completer Kit 200 BAR IG-55 – P/N IG71-236-200-55-PE 300 BAR IG-55 – P/N IG71-236-300-55-PE | | BSP Completer Kit 200 BAR IG-55 – P/N IG71-112-200-55-PE 300 BAR IG-55 – P/N IG71-112-300-55-PE | |
|------|---|---|---|---|
| | Part No. | Description | Part No. | Description |
| 1 | 02-13131 | Pressure Gauge with Switch Assembly (200 bar) | 02-13131 | Pressure Gauge with Switch Assembly (200 bar) |
| | 02-14066 | Pressure Gauge with Switch Assembly (300 bar) | 02-14066 | Pressure Gauge with Switch Assembly (300 bar) |
| 2 | IG71-123 | Discharge Hose Assembly, 1 inch NPT | IG71-003 | Discharge Hose Assembly, 1 inch BSP |
| 3 | 02-13571 | Universal Valve Operator (UVO) | 02-13571 | Universal Valve Operator (UVO) |
| 4 | 02-13713 | Actuation Hose | 02-13713 | Actuation Hose |
| 5 | 02-14627 | Universal Valve Operator Supervisor (UVOS) | 02-14627 | Universal Valve Operator Supervisor (UVOS) |
| 6 | 02-14802 | Molykote Lubricant | 02-14802 | Molykote Lubricant |
| 7 | 02-2213 | Security Tie | 02-2213 | Security Tie |
| 8 | IG71-026 | Vent Valve Assembly | IG71-026 | Vent Valve Assembly |
| 9 | 02-10926 | Sealing Washer | 02-10926 | Sealing Washer |
| 10 | 02-10797 | G1/4 x R1/8 Adaptor | 02-10797 | G1/4 x R1/8 Adaptor |

This document is only intended to be a guideline and is not applicable to all situations. Information is subject to Fike's full disclaimer at <http://www.fike.com/disclaimer>.

Universal Energetic Actuator (UEA) Primary Completer Kits



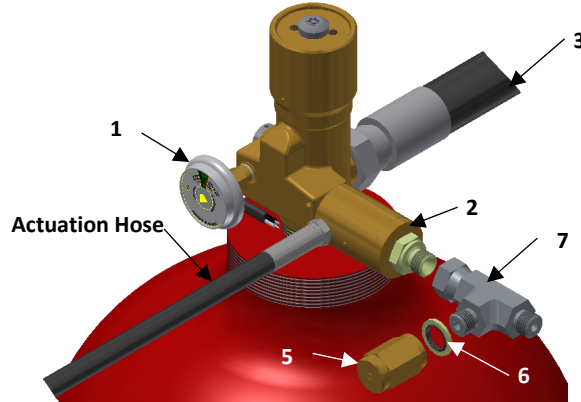
| Item | NPT Completer Kit 200 BAR IG-55 – P/N IG71-236-200-55-PM 300 BAR IG-55 – P/N IG71-236-300-55-PM | | BSP Completer Kit 200 BAR IG-55 – P/N IG71-112-200-55-PM 300 BAR IG-55 – P/N IG71-112-300-55-PM | |
|------|---|---|---|---|
| | Part No. | Description | Part No. | Description |
| 1 | 02-13131 | Pressure Gauge with Switch Assembly (200 bar) | 02-13131 | Pressure Gauge with Switch Assembly (200 bar) |
| | 02-14066 | Pressure Gauge with Switch Assembly (300 bar) | 02-14066 | Pressure Gauge with Switch Assembly (300 bar) |
| 2 | IG71-123 | Discharge Hose Assembly, 1 inch NPT | IG71-003 | Discharge Hose Assembly, 1 inch BSP |
| 3 | IG71-247 | Universal Energetic Actuator (UEA) | IG71-247 | Universal Energetic Actuator (UEA) |
| 4 | 02-13713 | Actuation Hose | 02-13713 | Actuation Hose |
| 5 | 02-14627 | Universal Valve Operator Supervisor (UVOS) | 02-14627 | Universal Valve Operator Supervisor (UVOS) |
| 6 | 02-14802 | Molykote Lubricant | 02-14802 | Molykote Lubricant |
| 7 | 02-2213 | Security Tie | 02-2213 | Security Tie |
| 8 | IG71-026 | Vent Valve Assembly | IG71-026 | Vent Valve Assembly |
| 9 | 02-10926 | Sealing Washer | 02-10926 | Sealing Washer |
| 10 | 02-10797 | G1/4 x R1/8 Adaptor | 02-10797 | G1/4 x R1/8 Adaptor |
| 11 | 10-2748 | Impulse Release Module (IRM)* | 10-2748 | Impulse Release Module (IRM)* |

*Item not shown.

This document is only intended to be a guideline and is not applicable to all situations.
Information is subject to Fike's full disclaimer at <http://www.fike.com/disclaimer>.

Relay Actuator Completer Kits

Relay completer kits provide a means to pneumatically activate an additional 60 ‘Secondary’ ProInert cylinders using the discharge pressure from the cylinder it is connected to. The relay actuator is pneumatically activated using the discharge pressure from the ‘Primary’ cylinder.

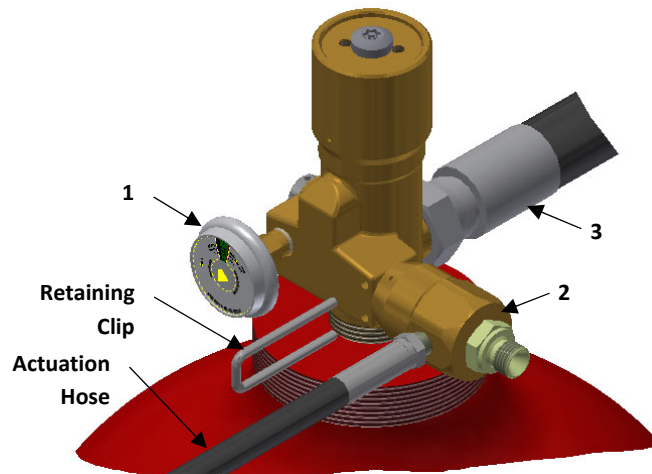


| | NPT Completer Kit 200 BAR IG-55 – P/N IG71-236-200-55-PP 300 BAR IG-55 – P/N IG71-236-300-55-PP | | BSP Completer Kit 200 BAR IG-55 – P/N IG71-112-200-55-PP 300 BAR IG-55 – P/N IG71-112-300-55-PP | |
|------|---|---|---|---|
| Item | Part No. | Description | Part No. | Description |
| 1 | 02-13131 | Pressure Gauge with Switch Assembly (200 bar) | 02-13131 | Pressure Gauge with Switch Assembly (200 bar) |
| | 02-14066 | Pressure Gauge with Switch Assembly (300 bar) | 02-14066 | Pressure Gauge with Switch Assembly (300 bar) |
| 2 | IG71-220 | Relay Actuator Assembly with Actuation Hose | IG71-220 | Relay Actuator Assembly with Actuation Hose |
| 3 | IG71-123 | Discharge Hose Assembly, 1 inch NPT | IG71-003 | Discharge Hose Assembly, 1 inch BSP |
| 4 | 02-14802 | Molykote Lubricant | 02-14802 | Molykote Lubricant |
| 5 | IG71-026 | Vent Valve Assembly | IG71-026 | Vent Valve Assembly |
| 6 | 02-10926 | Sealing Washer | 02-10926 | Sealing Washer |
| 7 | 02-11731 | G1/4(M) x G1/4(F) Swivel x G1/4(M) Tee | 02-11731 | G1/4(M) x G1/4(F) Swivel x G1/4(M) Tee |

This document is only intended to be a guideline and is not applicable to all situations.
Information is subject to Fike’s full disclaimer at <http://www.fike.com/disclaimer>.

Secondary Completer Kits

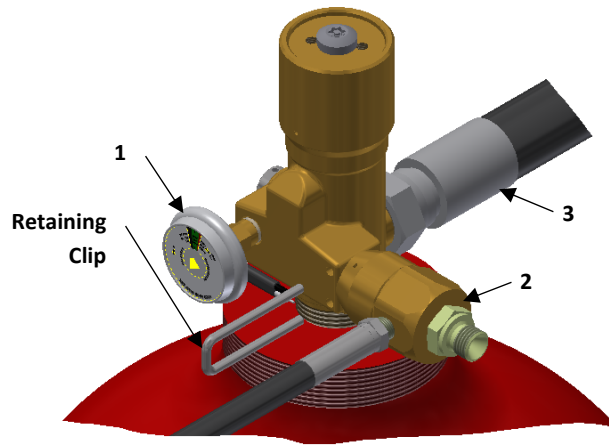
Secondary completer kits provide a means to pneumatically activate the ProInert cylinder using the discharge pressure from a cylinder equipped with a Primary or Relay completer kit or from a nitrogen actuator assembly.



| Item | NPT Completer Kit | | BSP Completer Kit | |
|------|--|---|--|---|
| | Part No. | Description | Part No. | Description |
| | 200 BAR IG-55 – P/N IG71-236-200-55-SP 300 BAR IG-55 – P/N IG71-236-300-55-SP | | 200 BAR IG-55 – P/N IG71-112-200-55-SP 300 BAR IG-55 – P/N IG71-112-300-55-SP | |
| 1 | 02-13441 | Pressure Gauge Assembly (200 bar) | 02-13441 | Pressure Gauge Assembly (200 bar) |
| | 02-13541 | Pressure Gauge Assembly (300 bar) | 02-13541 | Pressure Gauge Assembly (300 bar) |
| 2 | IG71-104 | Pneumatic Actuator Assembly with Actuation Hose | IG71-104 | Pneumatic Actuator Assembly with Actuation Hose |
| 3 | IG71-123 | Discharge Hose Assembly, 1 inch NPT | IG71-003 | Discharge Hose Assembly, 1 inch BSP |
| 4 | 02-14802 | Molykote Lubricant | 02-14802 | Molykote Lubricant |

This document is only intended to be a guideline and is not applicable to all situations.
Information is subject to Fike's full disclaimer at <http://www.fike.com/disclaimer>.

Secondary Completer Kits with Pressure Switch Option



| Item | NPT Completer Kit 200 BAR IG-55 – P/N IG71-236-200-55-SPL 300 BAR IG-55 – P/N IG71-236-300-55-SPL | | BSP Completer Kit 200 BAR IG-55 – P/N IG71-112-200-55-SPL 300 BAR IG-55 – P/N IG71-112-300-55-SPL | |
|------|---|---|---|---|
| | Part No. | Description | Part No. | Description |
| 1 | 02-13131 | Pressure Gauge with Switch Assembly (200 bar) | 02-13131 | Pressure Gauge with Switch Assembly (200 bar) |
| | 02-14066 | Pressure Gauge with Switch Assembly (300 bar) | 02-14066 | Pressure Gauge with Switch Assembly (300 bar) |
| 2 | IG71-104 | Pneumatic Actuator Assembly with Actuation Hose | IG71-104 | Pneumatic Actuator Assembly with Actuation Hose |
| 3 | IG71-123 | Discharge Hose Assembly, 1 inch NPT | IG71-003 | Discharge Hose Assembly, 1 inch BSP |
| 4 | 02-14802 | Molykote Lubricant | 02-14802 | Molykote Lubricant |

This document is only intended to be a guideline and is not applicable to all situations.
Information is subject to Fike's full disclaimer at <http://www.fike.com/disclaimer>.